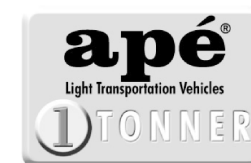




Spare Parts Catalogue

- BSII** 501 Vehicle with 395cc Eng.
- BSIII** 501 Vehicle with 435cc Eng.
- C** Common
- F** Passenger (BSIII)
- B** Xtra (BSIII)
- LD** Xtra LD (BSIII)



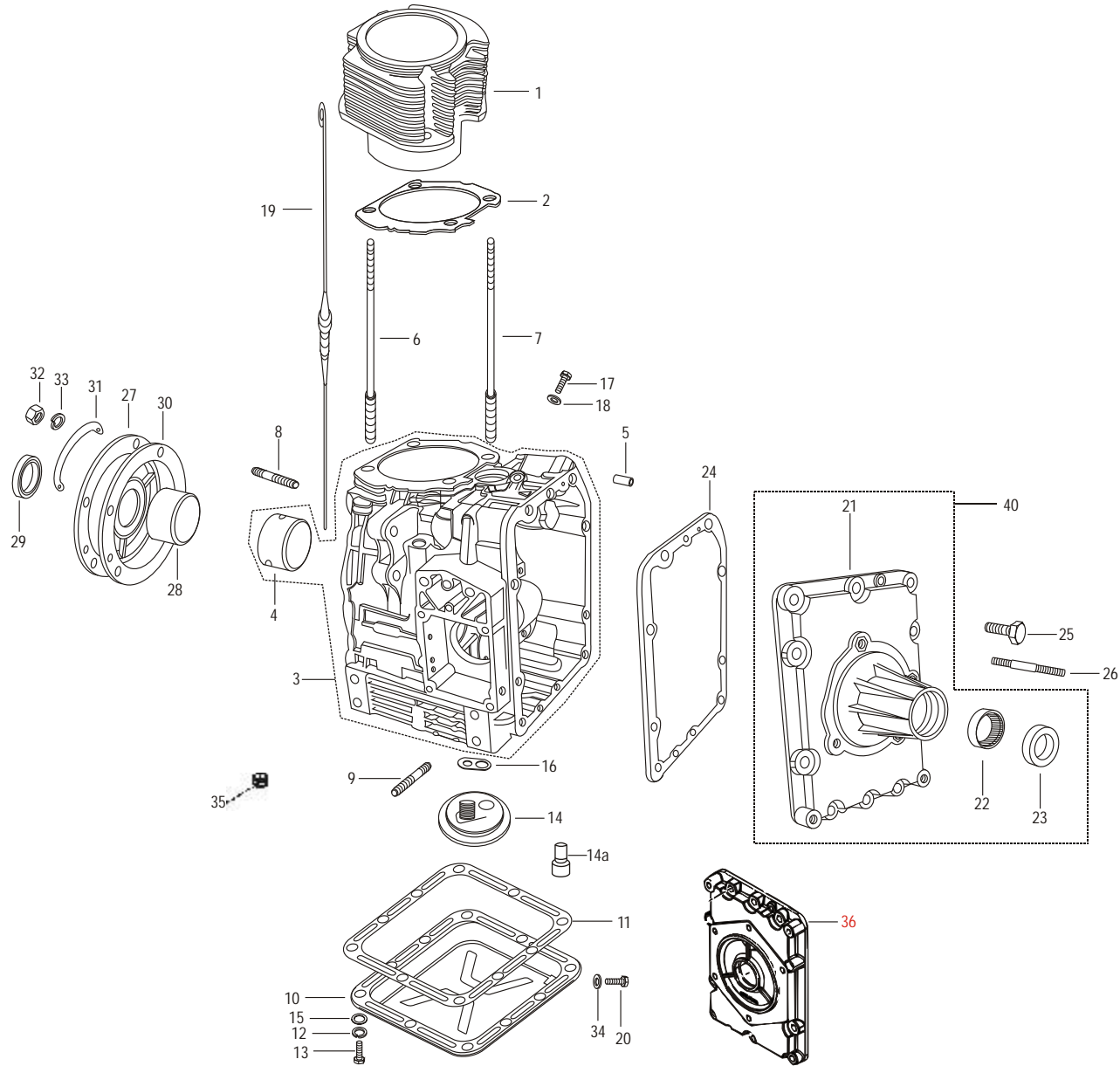


PLATE – I

CYLINDER, CRANKCASE, OIL PAN, PTO COVER AND CRANKSHAFT SUPPORT

1	(1)	E5402380456 Cylinder Barrel grade A	BSII	4	(1)	E40002266 Bush Crankcase 0.75 mm U/S	C	13	(10)	E50002805 Coller Bolt M8 x 1.25 x 22	BSIII
1	(1)	E43502705 Cylinder grade A	BSIII	5	(3)	E276846055 Dowel Pin	C	14	(1)	E40008839 Suction Bulb Assy.	C
1	(1)	E5402380457 Cylinder Barrel grade B	BSII	6	(2)	E5406850106 Stud Cylinder head rocker shaft	BSII	14a	(1)	E99732047 Screw for bulb	BSIII
1	(1)	E43502770 Cylinder grade B	BSIII	6	(2)	E43500540 Stud Cylinder head rocker shaft	BSIII	15	(10)	E97626048 Washer	C
2	(1)	E50006166 Joint	BSII	7	(2)	E43500539 Stud Cylinder head	BSIII	16	(1)	E40016141 Joint Suction Bulb	C
3	(1)	E40002560 Crankcase with Bush and Pin	BSII	7	(2)	E5406850108 Stud Cylinder head	BSII	17	(2)	E1177001 Hex Bolt flange M8 x 1.25 x 12	BSII
3	(1)	E40002586 Crankcase Assy. with Std. Bush & CF pin (With AVM pad)	BSIII	8	(5)	E271678054 Stud FWE side cover	C	17	(2)	E43502817 Hex Bolt flange M8 x 1.25 x 12	BSIII
3	(1)	E40002578 Crankcase Assy with Std. bush & CF pin (With AVM pad)	C	9	(2)	E50000506 Stud Engine Feet	C	18	(1)	E200467003 Joint	C
4	(1)	E40002263 Bush Crankcase Std	C	10	(1)	E50008099 Oil Pan	C	19	(1)	E52008924 Dipstick	BSII
4	(1)	E40002264 Bush Crankcase 0.25 mm U/S	C	10a	(1)	E40018011 Oil pan assy. consist of Sr. No.20,34 (N.I)	C	19	(1)	E43508924 Dipstick	BSIII
4	(1)	E40002267 Bush Crankcase 1.00 mm U/S	C	11	(1)	E50006169 Joint for oil pan (1.5mm thick)	C	20	(1)	E50000421 Drain Plug	C
4	(1)	E40002265 Bush Crankcase 0.50 mm U/S	C	12	(10)	E250755507 Washer	C	21	(1)	E53011748 Cover PTO	BSII
4	(1)	E40002265 Bush Crankcase 0.50 mm U/S	C	13	(10)	E406177005 Collor Bolt M8 x 1.25 x 22	BSII	21	(1)	E43521745 Cover PTO (Six stud)	BSIII

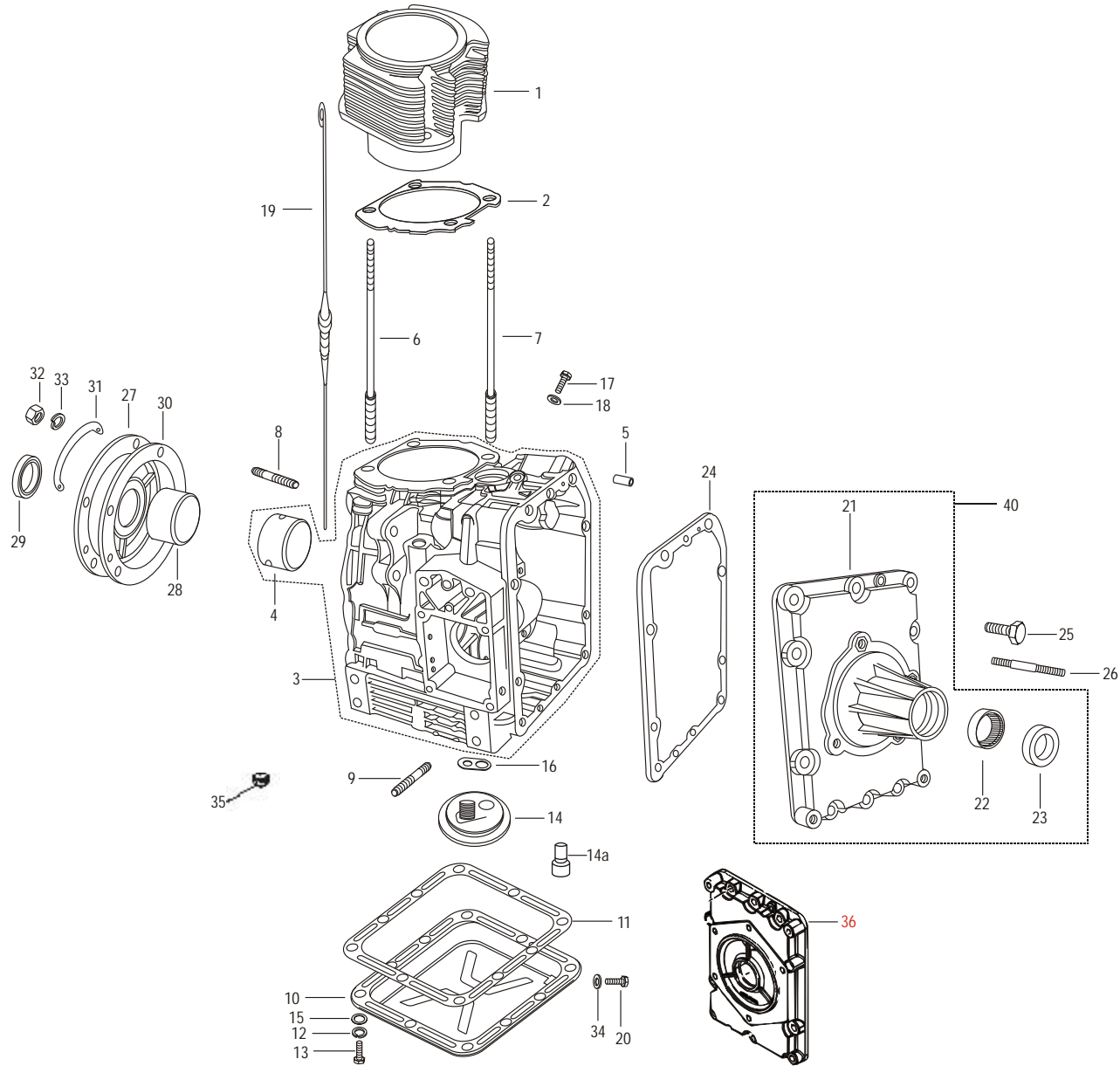


PLATE – I

CYLINDER, CRANKCASE, OIL PAN, PTO COVER AND CRANKSHAFT SUPPORT

22	(1)	E90303028 Bearing Needle	C	28	(1)	E40002268 Bush FWE Side std	BSII	31	(3)	ESK8832 Retainer Plate/ Safety retainer	C
23	(2)	E50006328 Oil Seal	BSII	28	(1)	E53002206 Bush FWE Side std	BSII	32	(5)	E9324018 Nut M8 x 1.25	C
23	(1)	E9121356 Oil Seal	BSIII	28	(1)	E40002272 Bush FWE Side 1.00 mm U/S	BSII	33	(5)	E50000613 Washer	BSII
24	(*)	E50006101 Joint 0.4 mm	BSII	28	(1)	E53002210 Bush FWE Side 1.00 mm U/S	BSIII	33	(5)	E250755507 Wave Washer	BSIII
24	(*)	E500460120 Joint 0.2 mm	C	28	(1)	E40002271 Bush FWE Side 0.75 mm U/S	BSII	34	(1)	E250467014 Joint Drain Plug	C
24	(*)	E500460102 Joint 0.3 mm	C	28	(1)	E53002209 Bush FWE Side 0.75 mm U/S	BSIII	35	(2)	E500197087 Sleeve - oil pan in crank case	BSIII
25	(10)	E47177007 Screw	BSII	28	(1)	E40002269 Bush FWE Side 0.25 mm U/S	BSII	36	(1)	E52011746 End cover	BSIII
25	(10)	E07502804 Coller bolt M8 x 1.25 x 30	BSIII	28	(1)	E53002207 Bush FWE Side 0.25 mm U/S	BSIII	37	(1)	ED40641 Guiding Bolt (N.I.)	BSII
25	(2)	E422973030 Allen Screw M8 x 35	BSIII	28	(1)	E40002270 Bush FWE Side 0.50 mm U/S	BSII	38	(1)	ED40642 Washer (N.I.)	BSII
26	(4)	E50000506 Stud PTO Cover	BSII	28	(1)	E53002208 Bush FWE Side 0.50 mm U/S	BSIII	39	(1)	E43510714 Cylinder & Piston Assy. (BP Kit) N.I.	BSIII
26	(6)	ESK4336 Stud M8 x 1.25 x 57(PTO Cover)	BSIII	29	(1)	ED42548 Oil seal	C	40	(1)	E5007540 PTO Cover assy. consisting of Sr. No. 21,22,23	BSIII
27	(1)	E40011772 Crankshaft Support Assy. consisting of sr. no. 27 & 28	C	30	(1)	E500470103 Joint 0.2 mm	BSII	41	(1)	E50006328 Oil Seal gear box side (N.I.)	C
				30	(1)	E500470094 Joint 0.3 mm	BSII	42	(1)	E43526175 Set of joints (N.I.)	BSIII

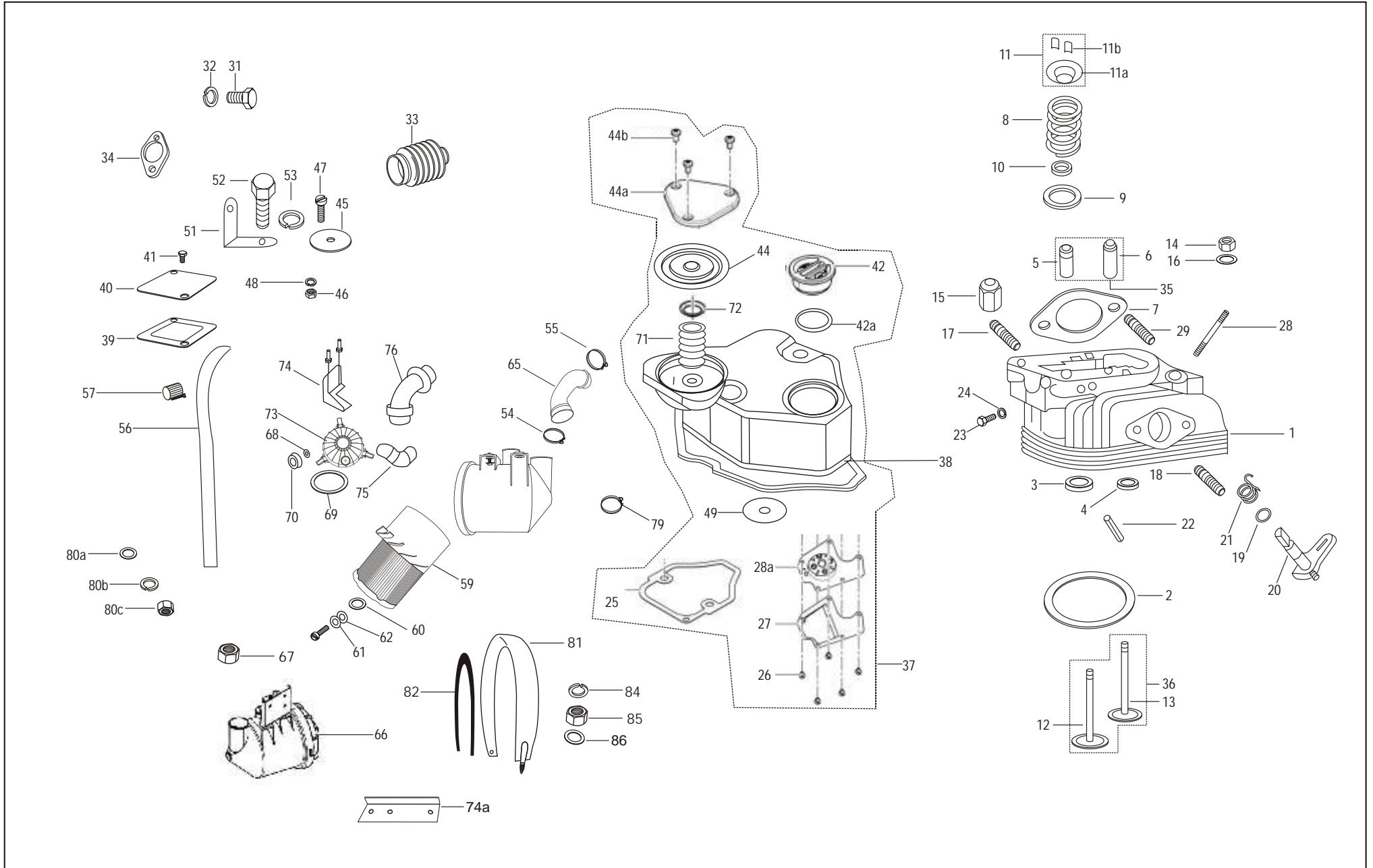


PLATE – II

CYLINDER HEAD, AIR CLEANER AND ROCKER ARM COVER

1	(1)	E43512268 Cylinder Head Assy.	BSIII	5	(1)	E43522232 Inlet Valve Guide (finish)	BSIII	11b	(4)	E870022109 Valve collets	BSIII
1	(1)	E40018345 Cylinder head assy	BSII	5	(1)	E40002256 Inlet Valve Guide 0.5 mm o/s	BSII	12	(1)	E43518363 Inlet Valve	BSIII
2	(1)	E43506182 Joint Cylinder Head 0.8 mm thick	C	6	(1)	E40002257 Exh Valve Guide 0.5 mm o/s	BSII	12	(1)	ED33453 Inlet Valve (Multi groove)	BSII
2	(1)	E43506183 Joint Cylinder Head 0.9 mm thick	C	6	(1)	E50012232 Exhaust Valve Guide (Finish)	BSII	13	(1)	ED33454 Exhaust Valve	BSIII
2	(1)	E40016143 Joint Cylinder Head 0.5 mm thick	C	6	(1)	E43522233 Exhaust Valve Guide (Finish)	BSIII	13	(1)	E40008380 Exhaust Valve	BSII
2	(1)	E43506181 Joint Cylinder Head 0.7 mm thick	C	7	(1)	E500450092 Joint Intake Flange Air Intake	C	14	(2)	E93240076 Nut M8 x 1.25	C
2	(1)	E43506184 Joint Cylinder Head 1.0 mm thick	C	8	(2)	E500575545 Valve Spring	C	15	(2)	ED40165 Dome Nut (Cap nut)	C
2	(1)	E43506180 Joint Cylinder Head 0.6 mm thick	C	9	(2)	E5003430070 Disc valve spring bottom	C	16	(4)	E97625065 Plain Washer	C
2	(1)	E40016144 Joint Cylinder Head 0.55 mm thick	C	10	(1)	E500213572 Cap Inlet Valve	BSII	17	(2)	E43500573 Stud M8 x 1.25 - intake side	BSIII
3	(1)	E5508000117 Valve Seat Inlet	BSII	10	(1)	E50006342 Valve stem seal	BSIII	17	(2)	E40000549 Stud M8 x 1.25 x 28	BSII
3	(1)	E43518358 Valve Seat Inlet (Semi finish)	BSIII	11	(2)	E500641036 Collet Assy.	BSII	18	(2)	E50000506 Stud. Exhaust	BSII
4	(1)	E5508000118 Valve Seat Exhaust (Semi finish)	C	11	(2)	E43522242 Collet Assy. Cosisting of Sr. No.11a, 11b	BSIII	18	(2)	ESK4336 Stud. Exhaust Muffler	BSIII
5	(1)	E500022105 Inlet Valve Guide (Finish)	BSII	11a	(2)	E43502703 Spring retainer top	BSIII	19	(1)	E268120034 'O' Ring	C

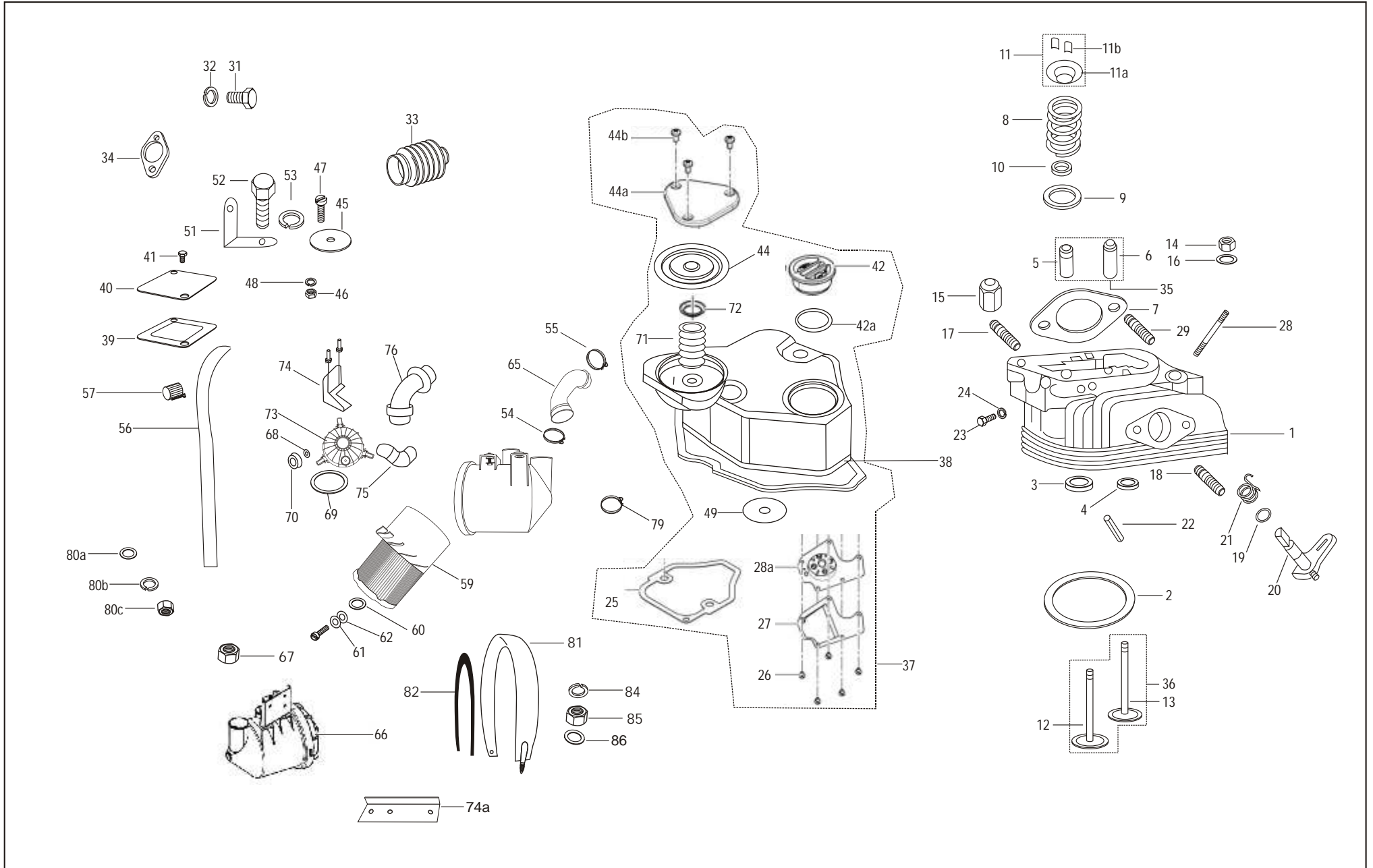


PLATE – II

CYLINDER HEAD, AIR CLEANER AND ROCKER ARM COVER

20	(1)	ED40580 Decompression lever Assy.	C	30	(3)	31090 Hex Screw M6 x 20 (N.I.)	C	37a	(1)	E5402125627 Rocker Cover Box Assy. with Cover; "O" Ring & Oil Filling Plug(Sr. No. 38, 42, 42a) (N.I.)	BSII
21	(1)	E5005680046 Return Spring	C	31	(2)	31116 Screw	BSII	37a	(1)	E43506639 Rocker Cover Box Assy.with Oil Filling Plug (Sr. No. 38, 42, 42a) (N.I.)	BSIII
22	(1)	E50000901 Spring Dowel	C	32	(2)	16408 Spring Washer	BSII	38	(1)	E40006630 Rocker Cover	BSII
23	(1)	E505193049 Bolt Decomp - shaft	C	33	(1)	587886 Rubber Bellow	BSII	38	(1)	E435006638 Rocker Cover	BSIII
24	(1)	E260467001 Copper Joint	C	34	(1)	567879 Gasket	BSII	40	(1)	E50010696 Cover Plate	BSII
25	(1)	E40016138 Joint for Rocker cover (1mm thick)	C	35	(1)	E40012272 Set Of Valve Guide consisting of 5 & 6	BSII	42	(1)	E5409032088 Oil Filling Plug LM Type	C
26	(5)	E51981002 Round headed screw	BSIII	35	(1)	E43522234 Set Of Valve Guide consisting of 5 & 6	BSIII	42a	(1)	E91200082 'O' Ring	C
27	(1)	E1965140021 Sheet Steel	BSIII	35	(1)	E40002259 Set Of Valve Guide 0.5 mm o/s	BSII	43	(1)	ED40517 Rubber Ring (N.I.)	BSII
28	(2)	E500676035 Stud injector	BSIII	36	(1)	E40012271 Set Of Valve	BSII	44	(1)	E1969693007 Safety Valve LM Type	BSII
28a	(1)	E1967980064 Cup for filter	BSIII	36	(1)	E43522238 Set Of Valve consisting of Sr. No. 12 & 13	BSIII	44	(1)	ED43751 Safety valve	BSIII
29	(1)	E40000550 Stud Air Intake	BSII	36	(1)	E400022104 Set of Valves	BSII	44a	(1)	E40020417 Breather cover nylon	C
29	(1)	E43500573 Stud M8 x 1.25 - Intake side	BSIII	37	(1)	E50006610 Rocker Cover Box Assy. consisting of (25 to 28,38,42,42a,44,44a,44b,49,71,72)	BSII	44b	(3)	ESK8694 Phillips head screw	C
29a	(3)	79375 Rubber Bumper (N.I.)	C	37	(1)	E40006639 Rocker Cover Box Assy. consisting of (25 to 28,38,42,42a,44,44a,44b,49,71,72)	BSIII				

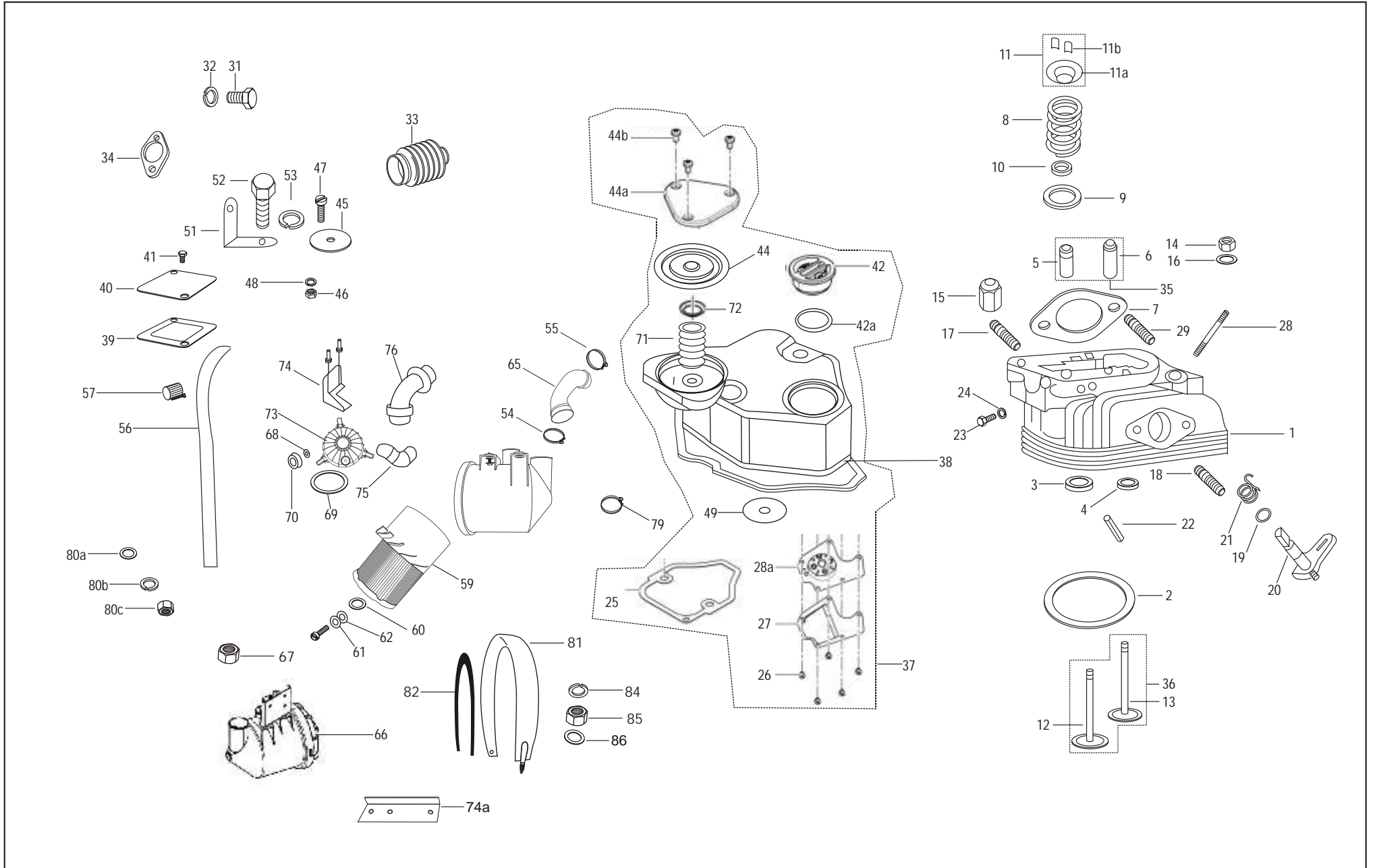


PLATE – II

CYLINDER HEAD, AIR CLEANER AND ROCKER ARM COVER

45	(1)	E50000664 Plate Breather Plug	BSII	59	(1)	ED41745 Element	BSII	67	(3)	20106 Hex Nut M6 (N.I.)	C
46	(1)	E225324004 Nut	BSII	59	(1)	ED42502 Element (Enginotech)	BSII	68	(1)	ED42500 / 632426 Dust Valve (Enginotech)	BSII
47	(1)	E45175504 Screw Breather Plug	BSII	59	(1)	632428 Element (Enginotech)	BSIII	69	(1)	ED42501 O Ring (Enginotech)	BSII
48	(1)	E26756503 Spring Washer	BSII	59	(1)	E40008728 Element for air cleaner	BSIII	69	(1)	632427 O Ring (Enginotech)	BSII
49	(1)	E196969519 Breather Valve	C	60	(3)	604973 Plain washer M6	C	69	(1)	O Ring	BSIII
51	(1)	E904850603 Lifting Hook	C	61	(3)	230560 spacer	C	70	(1)	ED42503 Knob (Enginotech)	BSII
52	(2)	E50000157 Bolt (Hex Head)	BSII	62	(3)	16406 Spring washer M6	C	70	(1)	632424 Knob (Enginotech)	BSIII
52	(2)	E50000114 Hex Socket head screw	C	63	(1)	569381 Flange Assy. Plastic (N.I.)	BSII	71	(1)	E1965755128 Spring LM Type	C
53	(2)	E250755507 Spring Washer	BSII	64	(1)	569451 Gasket for Flange (N.I.)	BSII	72	(1)	E1967625270 Washer for safety valve	C
54	(1)	604552 Clamp	BSII	65	(1)	569460 Air Cleaner Rubber Bellow	BSII	73	(1)	632425 Cover Enginotech Air Filter	BSII
55	(3)	604553 Worm Clamp (25-45) : 45A	C	66	(1)	ED32408 Air Filter assy.	BSII	73	(1)	Cover Enginotech Air Filter	BSIII
56	(1)	E6548960144 Extension Pipe	BSII	66	(1)	B009193 Air Filter assy.	BSIII	74	(1)	604750 Bracket for Enginotech Filter	BSIII
57	(1)	ESK2924 Clamp	BSII	66	(1)	E40018626 Air filter assy.	C	74a	(1)	632412 Bkt. strap holding	BSIII

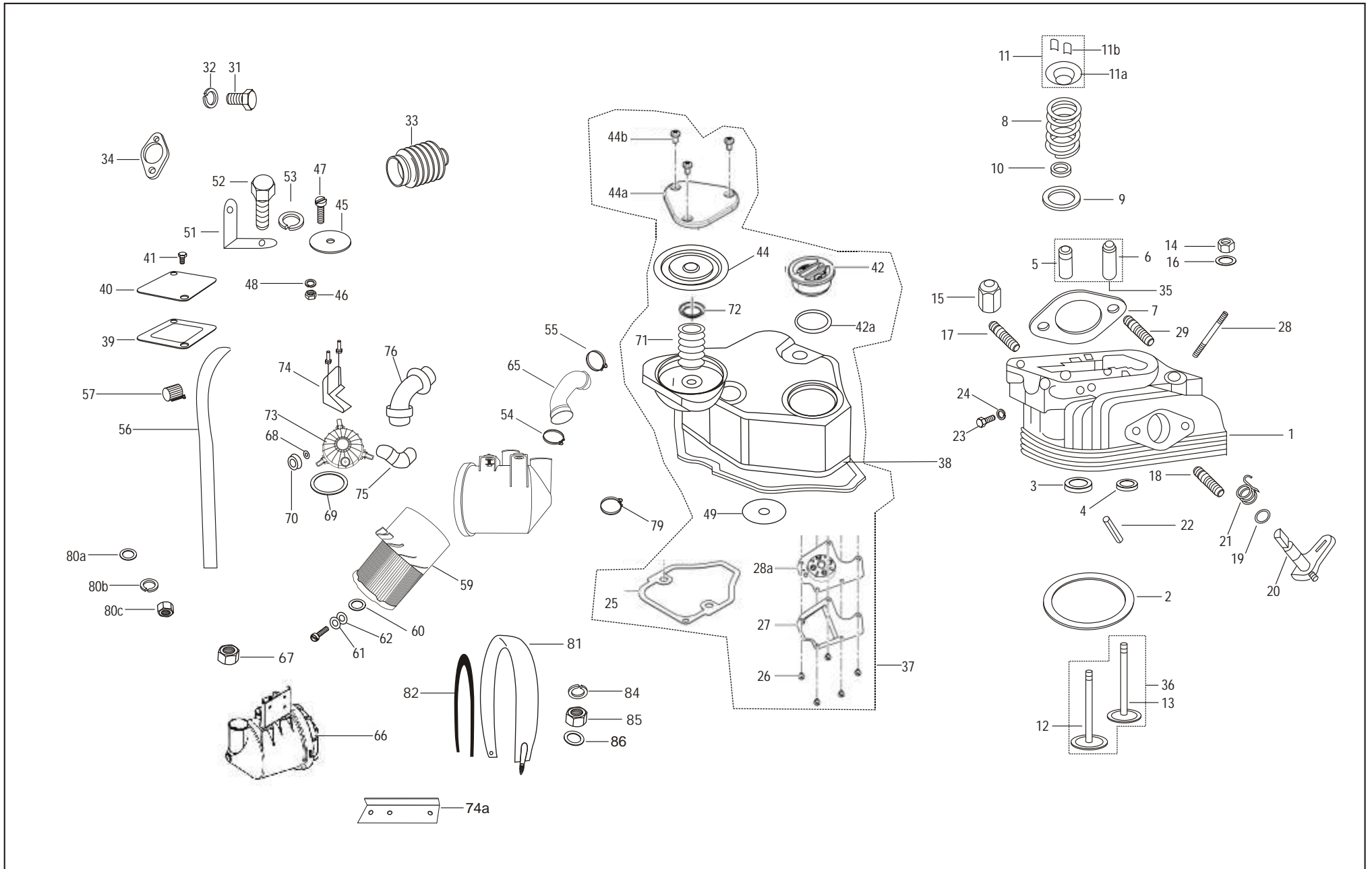


PLATE – II

CYLINDER HEAD, AIR CLEANER AND ROCKER ARM COVER

75	(1)	611620 Hose Flange	BSIII	85	(4)	20106 Hex Nut M6	C
76	(1)	B006581 Hose Engine	BSIII	86	(2)	3056 Plain washer	C
79	(1)	604756 Hose clip (size 2X)	BSIII	87	(3)	31090 Hex screw, wholly thread stem M6x20 (N.I.)	BSIII
80	(1)	611621 Flange Air filter (N.I.)	BSIII	88	(3)	79375 Rubber Bhumper (N.I.)	BSIII
80a	(2)	13880 Metallic plain washer	C				
80b	(2)	16406 Spring Washer M6	C				
80c	(2)	632056 Hex nut M6 (Terminal)	C				
81	(1)	632415 Strap assy.	C				
81	(1)	B009290 Strap assy.	BSIII				
82	(1)	632413 Rubber Packing	C				
83	(1)	B009311 Air filter Mtg. assy. consisting of sr. no. 60,66,69,74,74a,82,84 to 88 (N.I.)	BSIII				
84	(4)	16406 Spring washer	C				

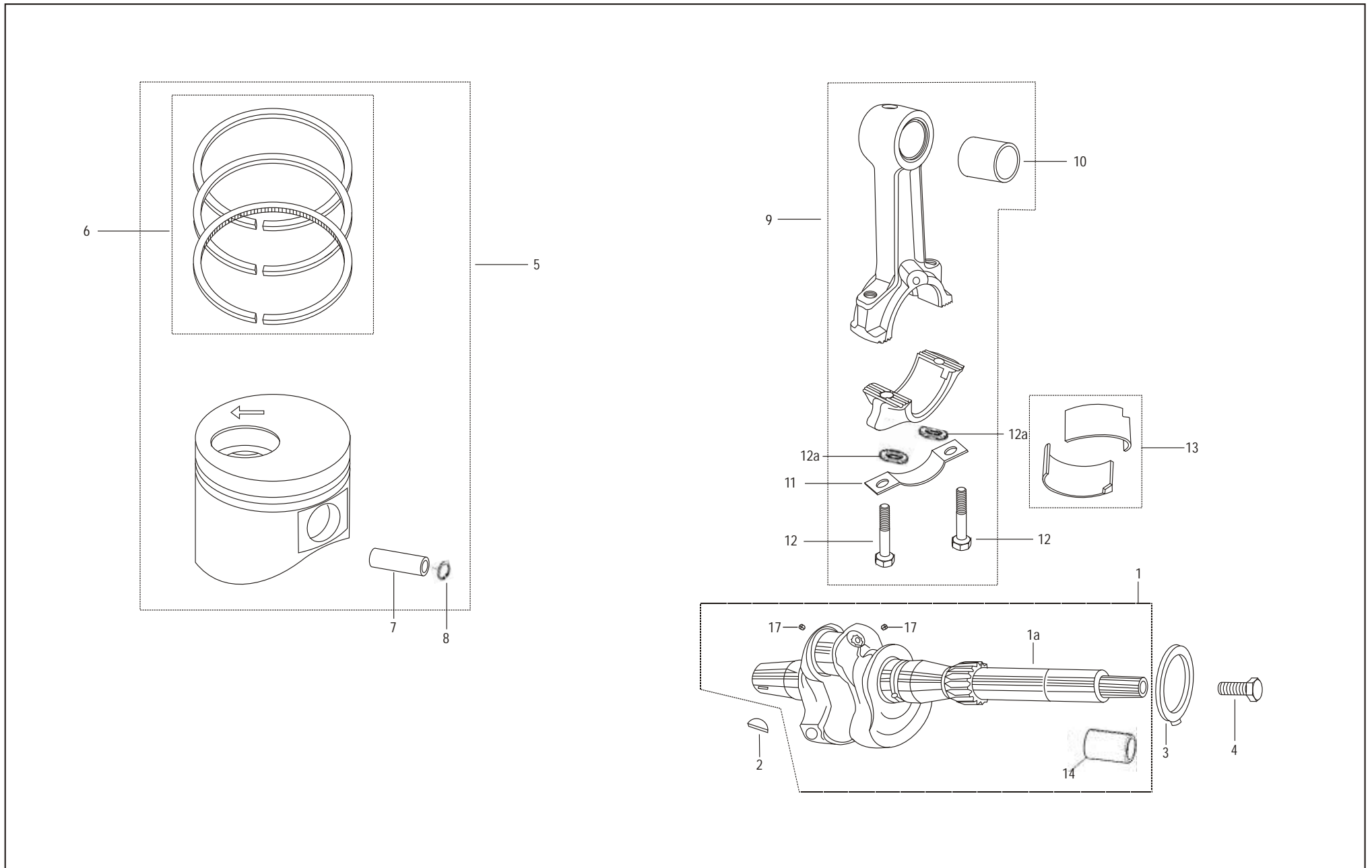


PLATE – III

CRANKSHAFT, PISTON AND CON ROD ASSY.

1	(1)	E43503011 Crankshaft assy with sleeve Consists of Sr. No. 1a & 14	BSIII	5	(1)	E40020510 Piston Assly. B mod	BSII	13	(2)	E50002297 Large End Bearing with copper lead (single half) - STD	BSIII
1	(1)	E50006023 Crankshaft	BSII	6	(1)	E43511440 Piston Ring Set Std.	BSIII	13	(1)	E40022211 Large End Bearing 0.25 mm u/s	BSII
1a	(1)	E43516066 Crankshaft	BSIII	6	(1)	E40011420 Piston Ring Set Std.	BSII	13	(2)	E40022211 Large End Bearing with copper lead (single half) 0.25 mm u/s	BSIII
2	(1)	E500228048 Key - F.W.E.	C	7	(1)	E5408480091 Piston Pin / Gudgeon pin	C	13	(1)	E40022212 Large End Bearing 0.50 mm u/s	BSII
3	(1)	E500125708 Thrust Washer	C	8	(2)	E3124017 Circlip	C	13	(2)	E40022212 Large End Bearing (0.50mm u/s) with copper lead (single half)	BSIII
4	(1)	E47177007 Screw M8 x1.25 x 30	C	9	(1)	E50009023 Connecting Rod Assy.	BSII	14	(1)	ED40208 Sleeve double oil seal	BSIII
5	(1)	E43520572 Piston Assy. Grade B	BSIII	9	(1)	E87009032 Connecting Rod Assy.	BSIII	15	(1)	ED42396 Con Rod Bolt Kit (N.I.)	BSII
5	(1)	E40020509 Piston Assly. A mod	BSII	10	(1)	E50009205 Bush / Bearing Small End	C	16	(1)	ED41933 Barral Piston Kit (N.I.)	BSII
5	(1)	E43520571 Piston Assy. Grade A	BSIII	11	(1)	E50000644 Lock Plate	BSII	16	(1)	ED42982 BP Kit (N.I.)	BSII
5	(1)	E400105201 Piston Grade A	BSII	12	(2)	E50000160 Bolt M8 x 1	C	16	(1)	E400205013 BP Kit (N.I.)	BSII
5	(1)	E40020512 Piston Assly. C mod	BSII	12a	(2)	E97626048 Washer Hardened	BSII	16	(1)	E43510714 BP Kit (N.I.)	BSIII
5	(1)	E40010599 Piston Assy. (Grade C)	BSII	12a	(2)	E50000307 Plain washer	BSIII	17	(2)	E500900038 Plug oil hole	BSIII
5	(1)	E40010597 Piston Assy. (Grade A)	BSII	13	(1)	E50002296 Large End Bearing Std.	BSII				

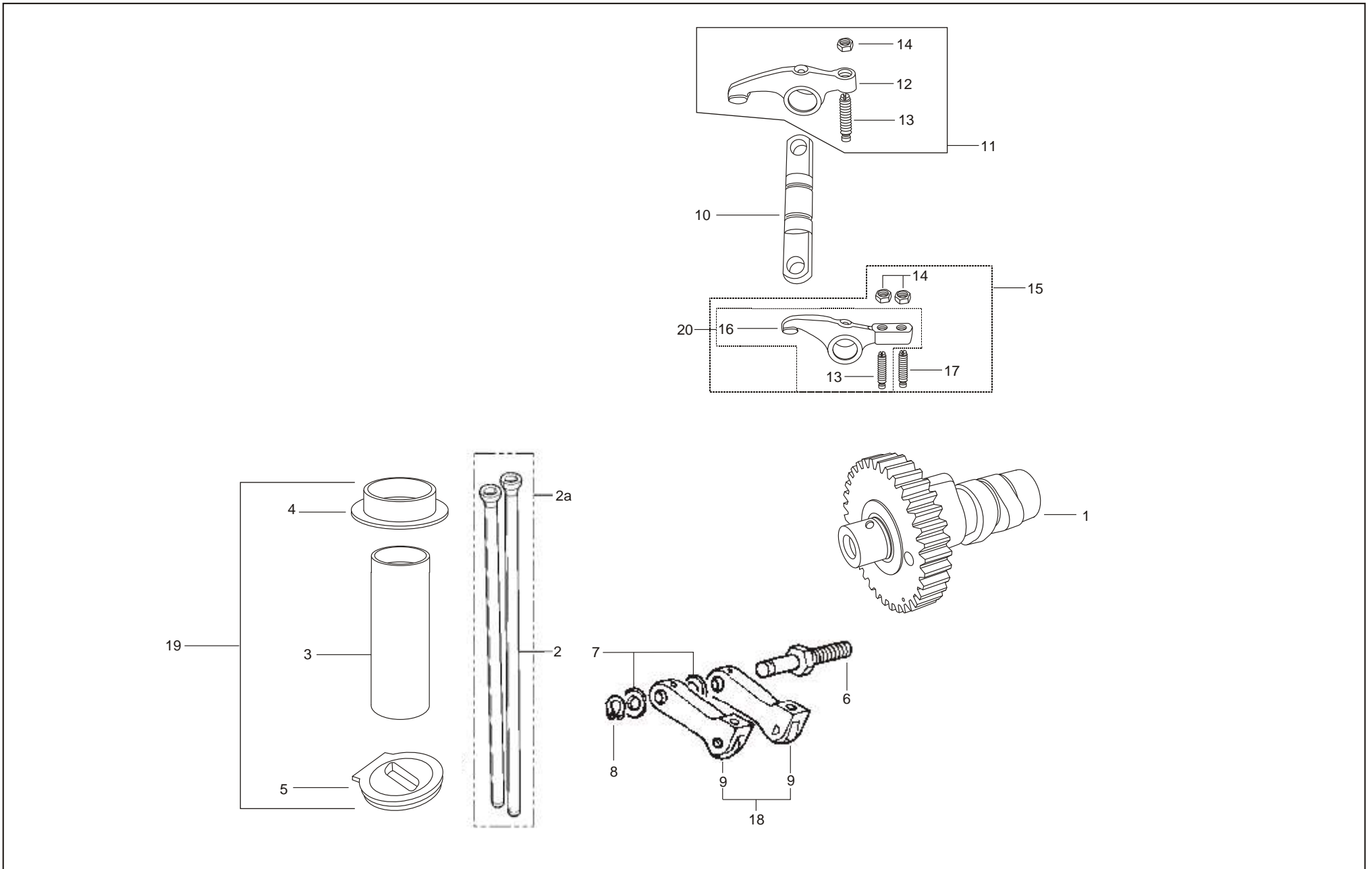


PLATE – IV

CAM SHAFT, PUSH ROD AND ROCKER ARMS

1	(1)	E400060112 Cam Shaft	C	8	(1)	E47124004 Circlip	C	19	(1)	E50006190 Set Of Sleeve	BSII
2	(2)	E500141016 Push Rod	BSII	9	(2)	E5005271054 Cam Follower Lever assy.	C	19	(1)	E43526174 Sleeve set consisting of 4 & 5	BSIII
2	(2)	E43507331 Push Rod 500 SR.	BSIII	10	(1)	E5406045038 Rocker Fulcrum	C	20	(1)	E53005170 Rocker Lever set consisting of Sr. No. 12 & 16	C
2a	(1)	E50007334 Set Of Pushes	BSII	11	(1)	E53005167 Inlet Rocker Lever Assy. consisting of Sr.No.12,13,14	C				
2a	(1)	E43507359 Set Of Pushrods	BSIII	12	(1)	E53005136 Rocker Lever Inlet	C				
3	(1)	E5009520029 Push Rod Tube	BSII	13	(2)	E500985048 Adjusting Screw	C				
3	(1)	E43507330 Push Rod Tube	BSIII	14	(3)	E105324008 Nut	C				
4	(1)	E500474018 Sleeve-Push Rod Tube	BSII	15	(1)	E53005168 Exhaust Rocker Lever Assy. consisting of Sr.No. 13,14,16,17	C				
5	(1)	E500474025 Sleeve-Push Rod Tube	BSII	16	(1)	E53005137 Rocker Lever Exhaust	C				
5	(1)	E40006428 Joint Push Rod Sleeve (G400AG)	BSIII	17	(1)	E50595052 Adj. screw Decompressor	C				
6	(1)	ED30956 Pin	C	18	(1)	E52005171 Cam Follower lever set	BSIII				
7	(2)	E500755006 Distance Piece	C								

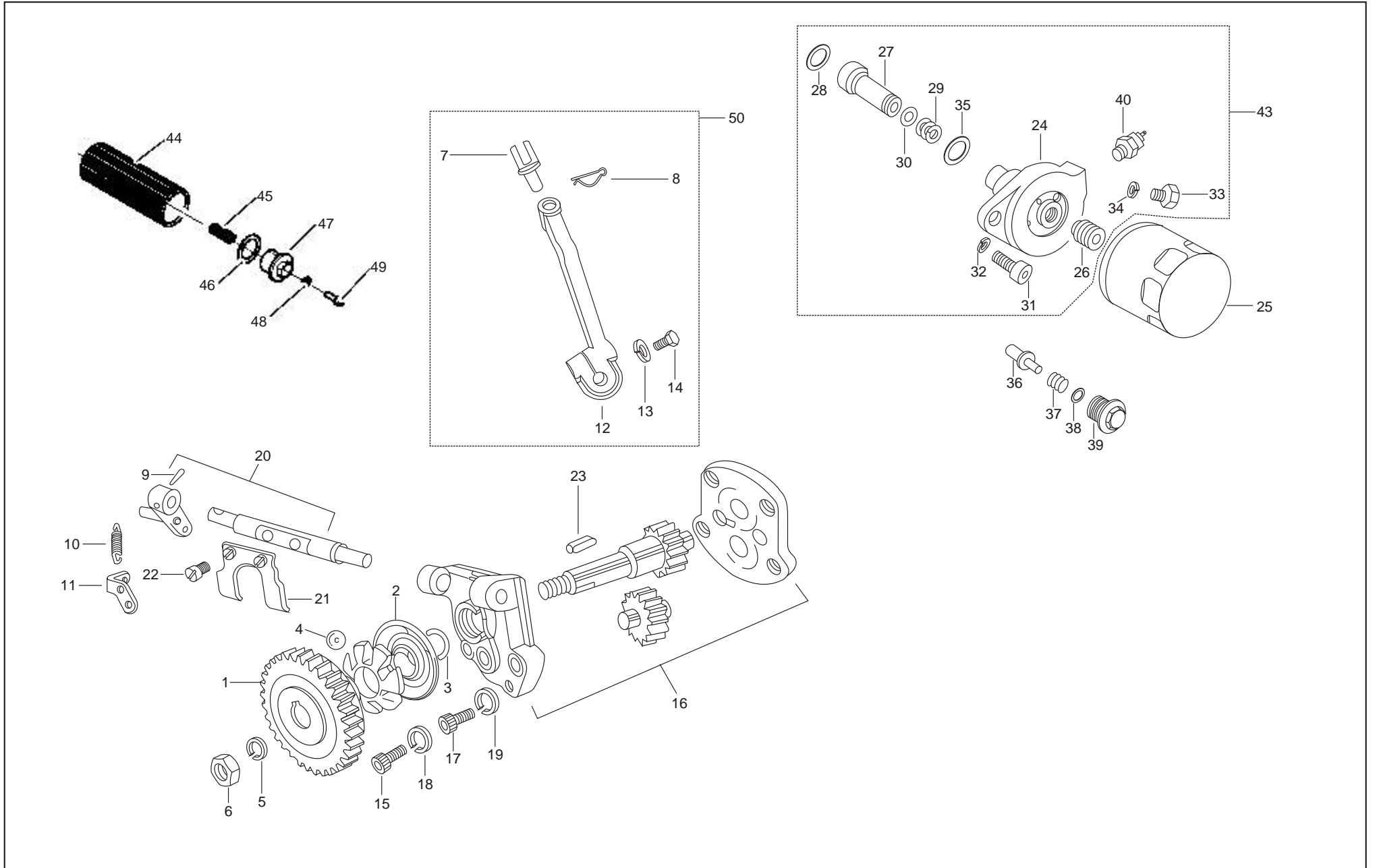


PLATE – V

GOVERNOR, FUEL PUMP CONTROL LEVER, L.O. PUMP ASSY. AND SPIN-ON TYPE LUB OIL FILTER

1	(1)	E500493620 Governor Gear	BSII	12	(1)	ED32915 Fuel Pump R C Lever	BSIII	23	(1)	E500220013 Key	C
1	(1)	E50010157 Governor Gear	BSIII	13	(1)	E250755504 Wave washer	C	24	(1)	ED21235 Flange	BSIII
2	(1)	E500208572 Governor Bell (Steel)	C	14	(1)	E9176007 Bolt	C	25	(1)	E50008711 Filter Spin-On Type	C
3	(1)	E500116011 Circlip	C	15	(1)	E264973008 Allen Screw	C	25	(1)	ED42244 Filter Spin-On Type	C
4	(6)	E3824509 Ball	C	16	(1)	E52006709 Lub Oil Pump Assy.	C	26	(1)	ED41208 Stud	C
5	(1)	E202756511 Spring Washer	C	17	(4)	E50000437 Hex Socket Head Screw	C	27	(1)	E50006495029 Piston	C
6	(1)	E500324066 Nut	C	18	(2)	E1756504 Spring Washer	C	28	(1)	E50001213143 O Ring Lub Oil Filter	C
7	(1)	E5406140483 Pin fuel pump R.C. lever	C	19	(3)	E250755504 Wave Washer	C	29	(1)	E50005625006 Spring	C
8	(1)	E7102800049 Split pin	BSIII	20	(1)	E50010103 Governor Lever Assy.	C	30	(1)	E9041202013 O Ring	C
9	(1)	E276843023 Taper Pin	BSII	20	(1)	ED43350 Governor Lever Assy.(alternative)	BSIII	31	(2)	E260973027 Allen Head Screw	C
10	(1)	E5205801462 Spring Excess Fuel	C	21	(1)	E500520134 Governor Lever (inner)	C	32	(1)	E1756507 Spring Washer	BSII
11	(1)	E5006371045 Anchor Plate	C	22	(2)	E51981002 Screw	C	32	(1)	E50000613 Machined Washer	BSIII

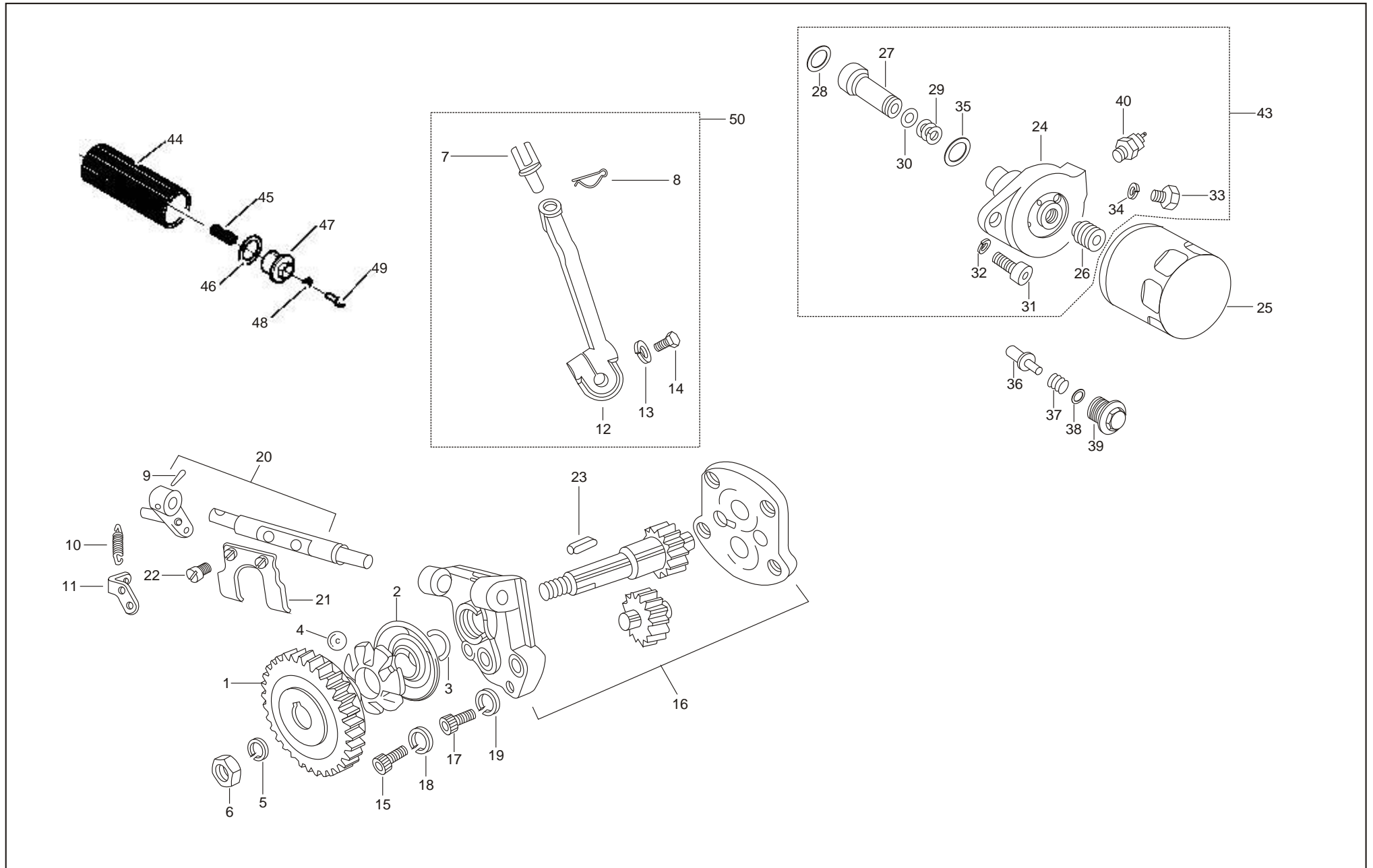


PLATE – V

GOVERNOR, FUEL PUMP CONTROL LEVER, L.O. PUMP ASSY. AND SPIN-ON TYPE LUB OIL FILTER

33	(1)	E1177001 Bolt	C	44	(1)	E500217519 Filter element	BSIII
34	(1)	E200467003 Joint	C	45	(1)	E5000572535 Spring	BSIII
35	(1)	E260120016 O Ring	C	46	(1)	E260120016 'O' Ring	BSIII
36	(1)	E5609680013 Relief Valve Body	C	47	(1)	E5009060011 Plug on oil filter	BSIII
37	(1)	E500575549 Spring	C	48	(1)	E260467001 joint	BSIII
38	(1)	E200467021 Joint	C	49	(1)	E9176003 Hex Bolt	BSIII
39	(1)	E50000475 Plug Relief Valve	C	50	(1)	E400051135 Fuel pump R.C. Lever assy.	C
40	(1)	ED41447 Oil Pressure Switch	C				
41	(1)	E1762507 Plain washer for M6 for FDC lever (N.I.)	BSII				
42	(1)	E105324008 Nut M6x1 for FDC lever (N.I.)	BSII				
43	(1)	E40001816 Flange assy. for spin on filter Consisting of 24,26 to 30 to 35 & 40	C				

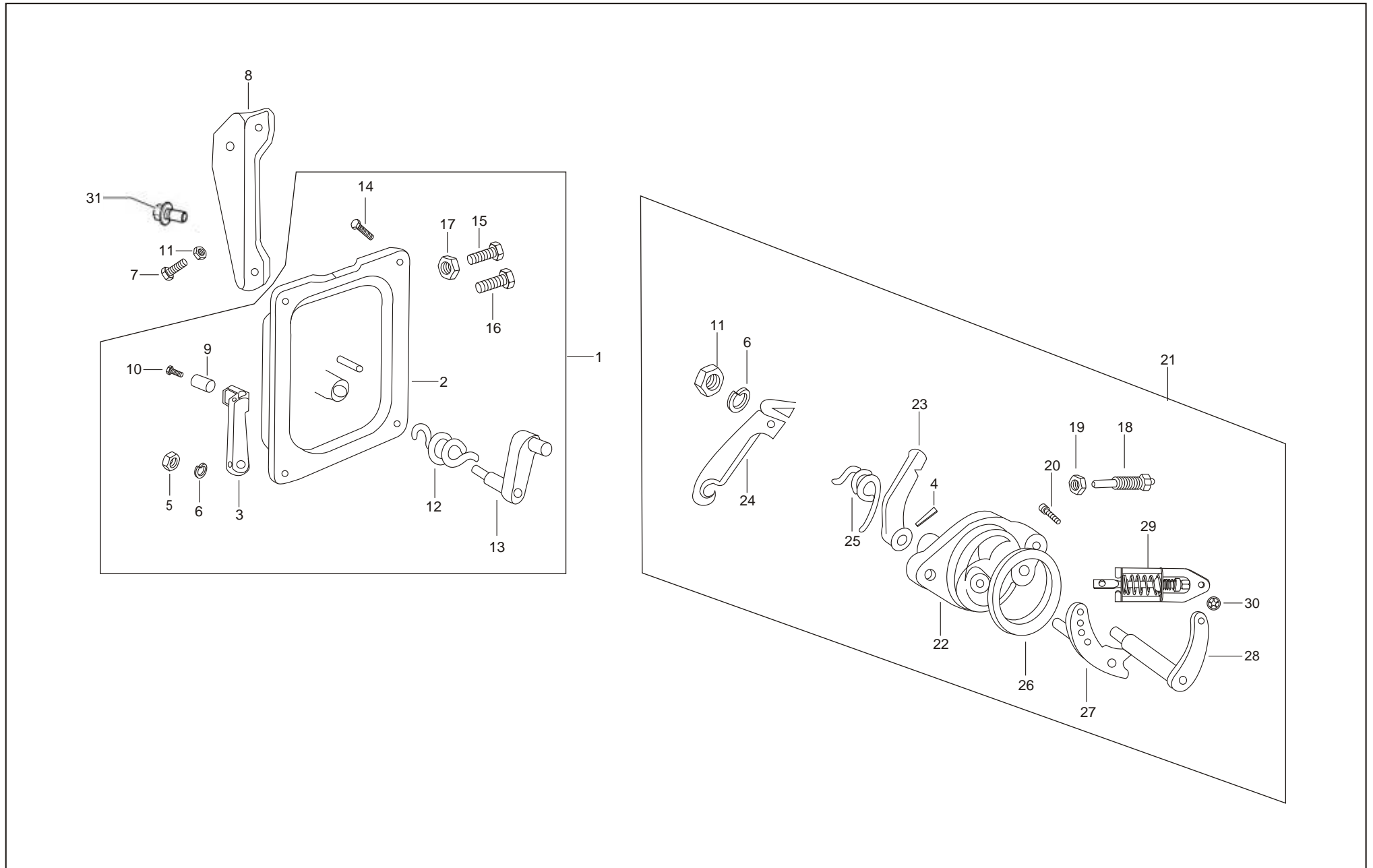


PLATE – VI

REMOTE THROTTLE AND STOP CONTROL

1	(1)	E50010174	BSII	10	(1)	ED41228	C	21	(1)	E43521752	BSIII
		Cover Remote Throttle Stop Control (consisting of Sr.No. 2 ,3,5,6; 12 & 13)				Screw				Assy. Governor Support	
1	(1)	E43501847	BSIII	11	(3)	E105324008	C	22	(1)	E40009644	C
		Remote Throttle & Stop Control for Rear Mtg. Engine (2,3,5,6,12 & 13)				Hex Nut				Support Governor Lever	
2	(1)	E50007596	BSII	12	(1)	E500568044	C	23	(1)	E5005202010	C
		Cover				Spring Stop Lever Return				Lever Max Fuel	
2	(1)	E43521751	BSIII	13	(1)	E500520260	C	24	(1)	E43521746	C
		Cover assy. throttle & stop lever				Stop Lever Internal				Throttle Lever	
3	(1)	E500520214	C	14	(4)	E9176003	C	25	(1)	E500568043	C
		Stop Lever				Bolt				Spring speed lever return	
4	(1)	E98420002	C	15	(1)	E91760028	BSII	26	(1)	E52006205	C
		Taper Pin 2.5 x 14				Min Speed Setting Bolt				O Ring	
5	(1)	E105324008	C	16	(2)	E07500428	BSIII	27	(1)	E5205200778	C
		Hex Nut				Max Speed Setting Screw				Lower lever with pin	
5	(1)	E07502811	C	17	(1)	E105324008	C	28	(1)	E5205200777	C
		collar nut M6 x 1				Nut M6 x 1				Upper Lever with Pin	
6	(2)	E1756504	C	18	(1)	E400101102	C	29	(1)	E40009645	C
		Spring Washer M6				ExcessFuel Device Assy				Governor Spring Assembly	
7	(2)	E50000452	C	19	(2)	E105324008	C	30	(2)	E5201160056	C
		Terminal cable sleeve				Nut M6 x 1				Circlip for frame locking	
8	(1)	E50010606	C	20	(2)	E270973010	C	31	(1)	E07502813	BSIII
		Support				Cap Screw M6 x 1				Collor bolt M6 x 12	
9	(1)	E90600031	C	21	(1)	E5208785129	BSII				
		Cable Anchor				Governor Support Assy. (consisting of Sr.No. 4;6;11;22 to 30)					

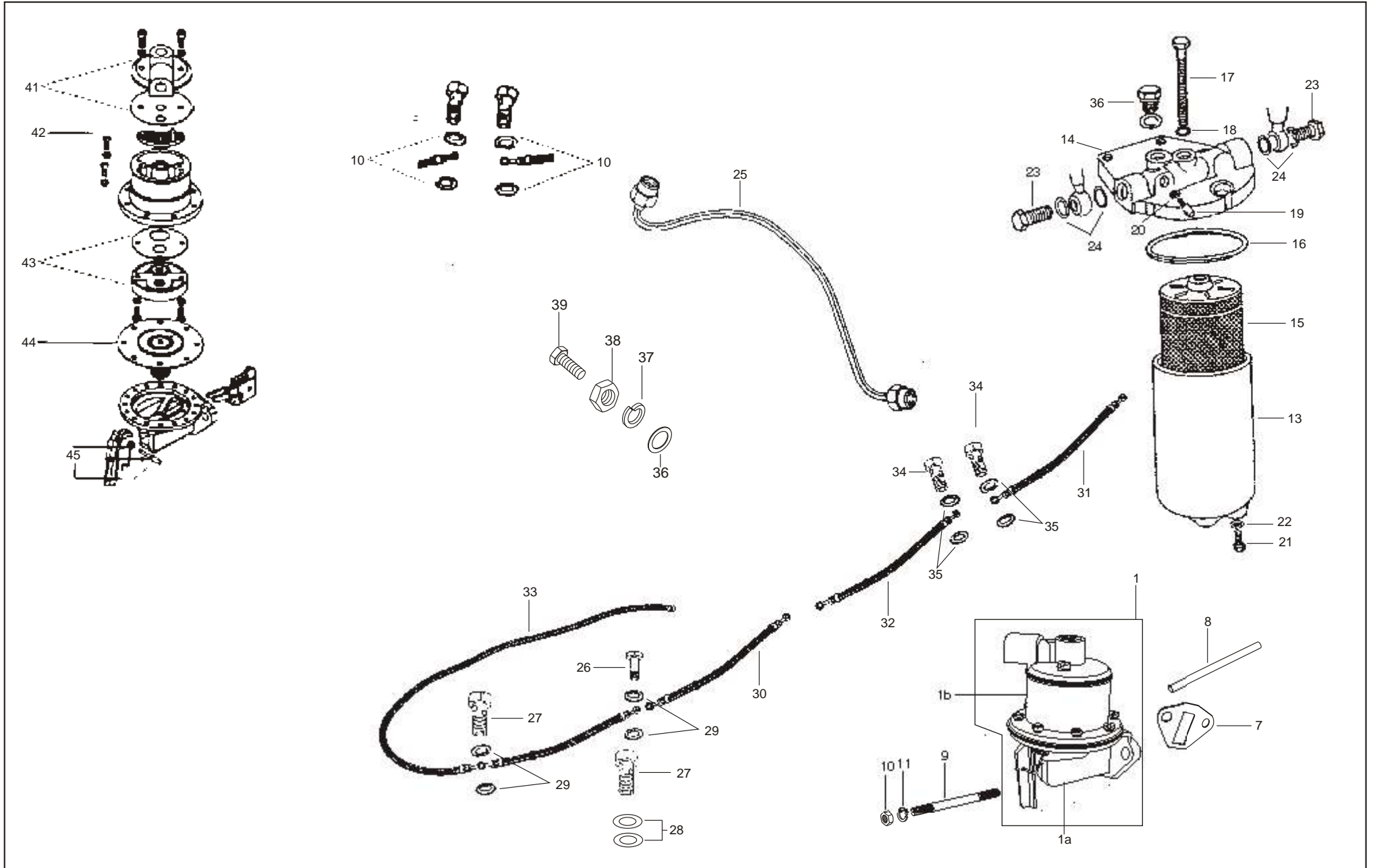


PLATE – VII

FEED PUMP, FUEL FILTER AND FUEL PIPE LINES

1	(1)	E50006808 Feed Pump (Aqual)	C	7	(1)	E50016133 Joint 0.2mm (Feed pump)	BSIII	15	(1)	E9451037407 Element	C
1	(1)	E50006819 Feed Pump (Auto Lec) New	C	7	(1)	E5604580170 Joint 0.8 mm (Feed pump)	C	17	(1)	E2911161261 Bolt	BSII
1a	(1)	E40006815 Bottom Body (for E40006819)	C	7	(1)	E5604580169 Joint 0.4 mm (Feed pump)	C	17	(1)	E94110033428 Screw	BSIII
1b	(1)	E40006816 Top Body (for E40006819)	C	8	(1)	E5007200048 Pin	BSII	18	(1)	E2916710603 Washer	C
1c	(1)	E40006817 Valve Body (for E40006819) (N.I.)	C	8	(1)	ED41931 Pin for Feed Pump	C	19	(1)	E9411033412 Air Vent Screw	C
1d	(1)	E40006818 Diaphragm (for E40006819) (N.I.)	C	9	(2)	E50000506 Stud for feed pump	C	20	(2)	E2916710602 Sealing Washer	C
2	(1)	E50006809 Cover Plate with Gasket (Aqual) (N.I.)	C	10	(2)	E9324018 Nut	C	21	(1)	E9411033412 Sludge Screw	C
3	(1)	E50006810 Filter (Aqual) (N.I.)	C	11	(2)	E1756507 Spring Washer	BSII	22	(1)	E1413453025 Sealing Washer	C
4	(1)	E50006811 Valve Plate Ass. with Gasket (Aqual) (N.I.)	C	11	(2)	E50000613 Machined washer	BSIII	23	(1)	E07500819 Banjo Bolt	C
5	(1)	E50006812 Priming Lever with Spring and Spindle (Aqual) (N.I.)	C	12	(1)	F002H20108 Fuel Filter Assy. (0.5 lit) (N.I.)	C	24	(4)	E07506189 Joint	C
6	(1)	E50006813 Diaphragm Ass. (Aqual) (N.I.)	C	13	(1)	F002H20340 Filter Bowl	C	25	(1)	E43501049 High Pressure Pipe	BSIII
7	(1)	E5604580049 Joint 0.5 mm (feed pump)	BSII	14	(1)	F002H20333 Top Cover	C	25	(1)	E40001008 High Pressure Pipe	BSII

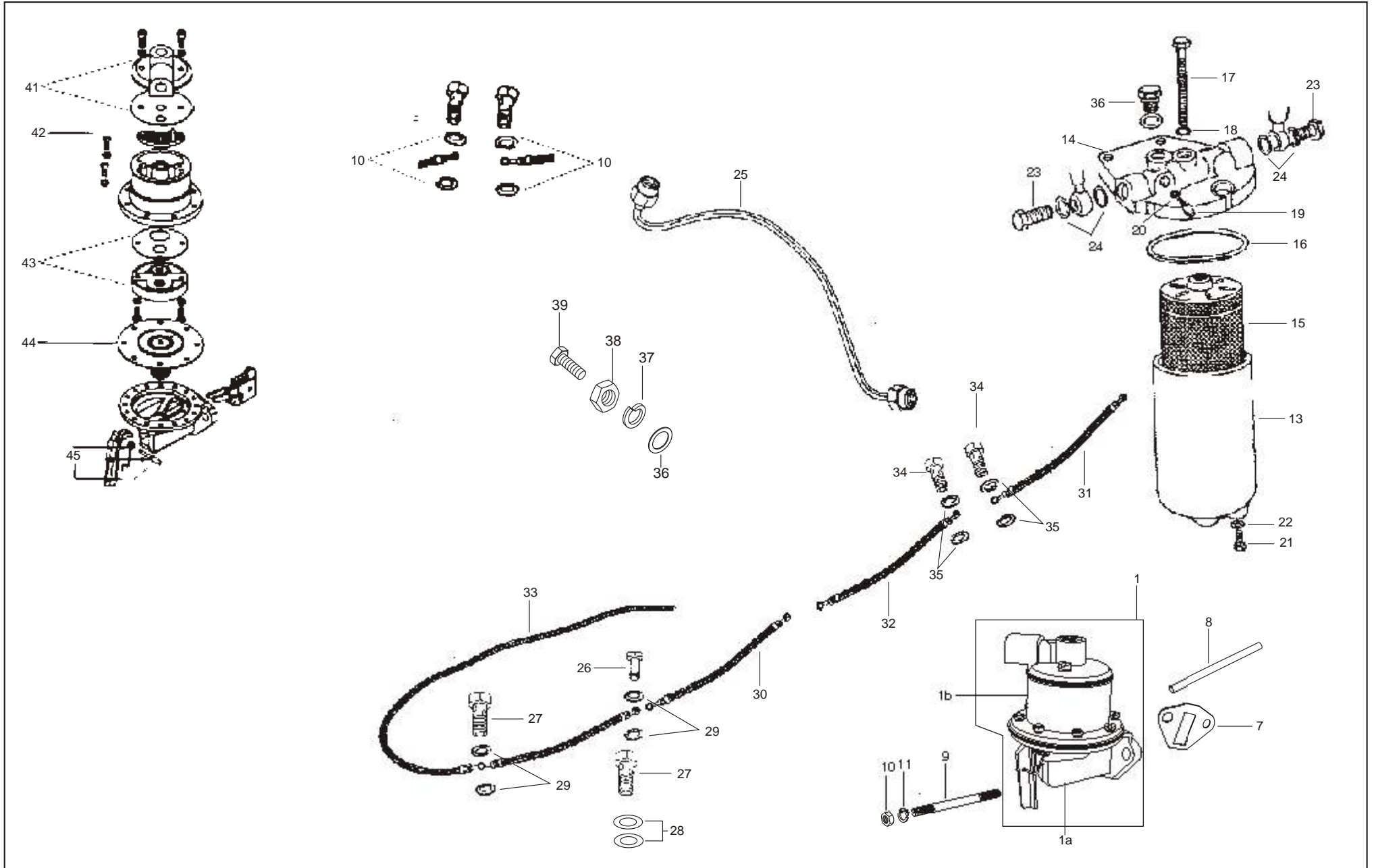


PLATE – VII

FEED PUMP, FUEL FILTER AND FUEL PIPE LINES

26	(1)	E7101901012 Bleeding valve assy.	C	33	(1)	E43527167 Overflow & bleeding pipe assy.	BSIII	44	(1)	E50006813 Diaphragm Assy.	BSIII
27	(2)	E1441570056 Banjo Bolt Overflow	BSII	33	(1)	E40027131 Overflow & bleeding pipe assy.	BSII	45	(1)	E50006812 Priming Lever With Spring & Spindle	BSIII
27	(1)	B006755 Banjo overflow pipe	BSIII	34	(2)	E91901030 Banjo Bolt - Feed Pump	BSII				
28	(2)	E40000687 Washer 8.2 x 12 x 2 thik	BSII	35	(4)	E94670059 Joint - Banjo Bolt	BSII				
29	(2)	E904467015 Joint	BSIII	36	(2)	13861 Plain washer 20 x 8.2 x 2.5	BSII				
29	(4)	E200467003 Joint - Banjo Bolt	BSII	37	(2)	16408 Spring washer M8	BSII				
30	(1)	E40017130 Fuel Pipe (Feed Pump to Filter)	BSII	38	(2)	20108 Hex nut M8	BSII				
30	(1)	E43527185 Fuel Pipe (Feed Pump to Filter)	BSIII	39	(2)	30072 Hex head bolt M8 x 35	BSII				
31	(1)	E40017131 Fuel Pipe (Tank to Feed Pump)	C	40	(4)	E283467036 Copper Joint	BSIII				
32	(1)	ED41150 Fuel Pipe (Filter to Fuel Pump)	BSII	41	(4)	E50006809 Cover Plate With Rubber Gasket	BSIII				
32	(2)	E43527184 Fuel Pipe (Filter to Fuel Pump)	BSIII	42	(1)	E50006810 Filter	BSIII				
33	(1)	ED31570 Pipe Overflow	BSII	43	(1)	E50006811 Valve Palte Assy. With Rubber Gasket	BSIII				

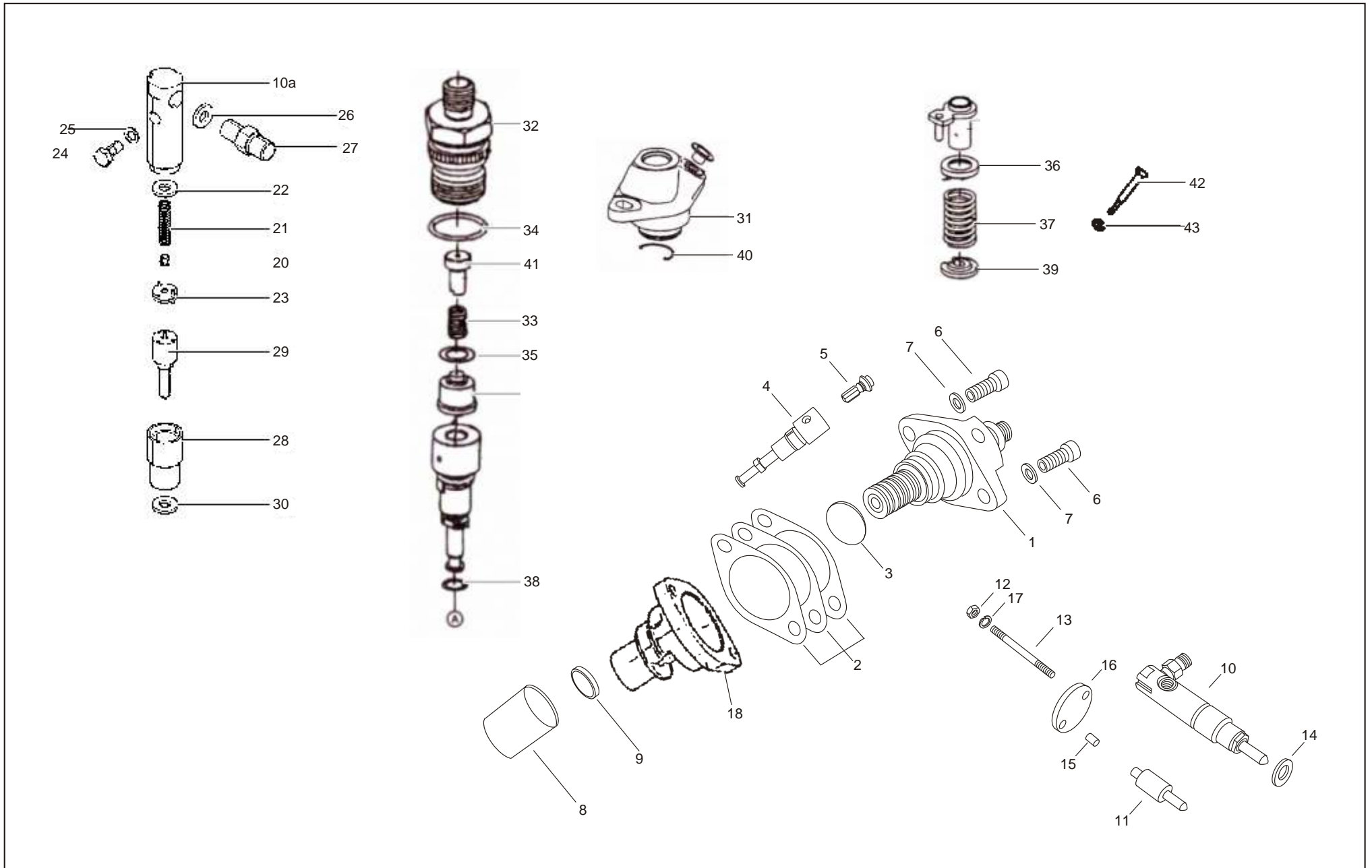


PLATE – VIII

FUEL INJECTION PUMP AND INJECTOR ASSY.

1	(1)	ED31905 Fuel Pump (F002F50006)	C	5	(1)	EF002B70032 Delviery Valve (Mico)	BSII	11	(1)	EF002C40521 Nozzle (Mico)	BSII
1	(1)	ED41531 Fuel Pump Assy. MICO	BSII	5	(2)	EF002FS1090 Control Sleeve	BSIII	11	(1)	EF0020C40562 Nozzle	BSIII
2	(1)	E500458024 Shim 0.5mm	BSII	6	(2)	E422973030 Cap screw for M8x1.25 for fuel pump	C	12	(2)	E9324008 Nut	BSII
2	(1)	E5004580057 Shim 0.05mm for fuel pump	BSIII	7	(2)	E5762510 Spring Washer	BSII	12	(2)	E07502811 Nut	BSIII
2	(1)	E500458023 Shim 0.3mm	BSII	7	(2)	E1756507 Washer	BSIII	13	(2)	E9676035 Stud	BSII
2	(1)	E500458029 Shim 0.1mm	C	8	(1)	ED40678 Roller Tappet for fuel pump	C	14	(1)	ED41236 Joint 0.5mm	BSII
2	(1)	ED42723 Joint for FIP casing (0.5mm thick)	BSIII	9	(1)	E500600036 Spacer	BSII	14	(1)	ED40893 Joint 2mm	BSII
3	(1)	E9120087 O Ring Fuel Pump	BSII	10	(1)	E5306615089 Injector Assy. Imported	BSII	14	(1)	ED41237 Joint 1mm	BSII
4	(1)	E5406578027 Element (Imported)	BSII	10	(1)	ED41532 Injector Assy. MICO	BSII	15	(1)	E500843036 Dowel Pin	C
4	(1)	EF002B10538 Element	BSII	10	(1)	ED31904 Nozzle holder assy with joint (F002C7Z112)	C	16	(1)	E500379026 Flange (Injector)	C
4	(1)	EF002B10580 Element	BSIII	10a	(1)	E9430031103 Nozzle holder (KBEL56P92)	C	17	(2)	E1756504 Washer	BSII
5	(1)	E5409672029 Delivery Valve (Imported)	BSII	11	(1)	E5306531433 Nozzle (Imported)	BSII	18	(1)	ED31943 FIP Casing	C

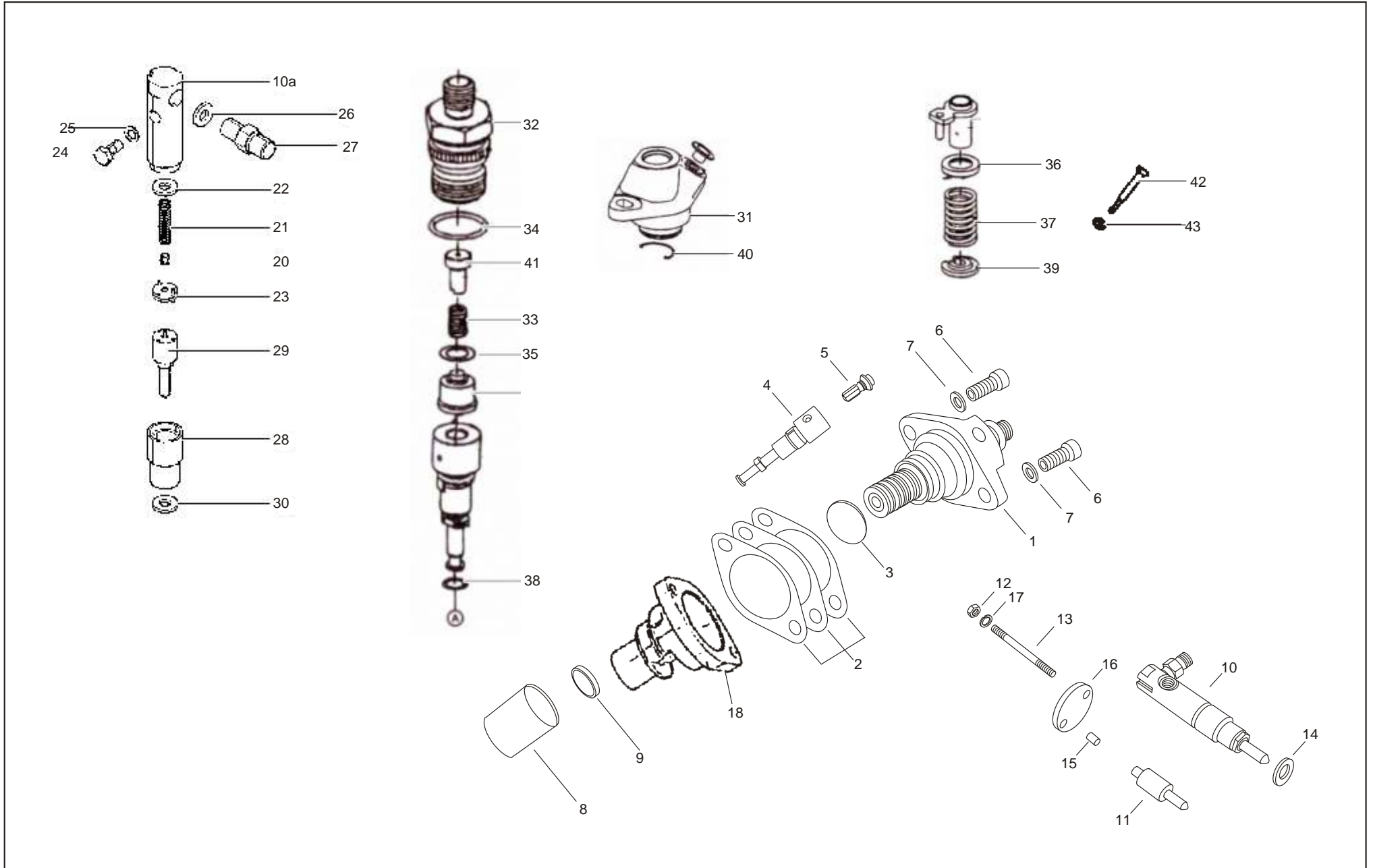


PLATE – VIII

FUEL INJECTION PUMP AND INJECTOR ASSY.

19	(1)	ED42723 Joint for FIP Casing (N.I.)	BSII	31	(1)	EF002F51089 Pump Housing	BSIII	43	(1)	ED40642 Joint For Guiding Bolt	BSIII
20	(1)	E2433124388 Pressure Bolt	BSIII	32	(1)	E9411033342 Delivery Valve Holder	BSIII				
21	(1)	E2434614030 Spring	BSIII	33	(1)	E9411034635 Compression Spring	BSIII				
22	(1)	E2430101170 To 1430101 Adjusting Washer	BSIII	34	(1)	E1410210017 'O' Ring	BSIII				
23	(1)	E2430136166 Distance Piece	BSIII	35	(1)	E1410501001 Gasket	BSIII				
24	(1)	E2911232700 Banjo Bolt	BSIII	36	(1)	E141050100 Spring Plate-upper	BSIII				
25	(2)	E2916710603 Washer	BSIII	37	(1)	E3414619005 Compression Spring	BSIII				
26	(1)	E9432030100 Washer	BSIII	38	(1)	E2916600006 Retainer	BSIII				
27	(1)	E9431033395 Inlet Connection Stud	BSIII	39	(1)	E2410122016 Spring Plate – Lower	BSIII				
28	(1)	E2433314053 Nozzle Cap Nut	BSIII	40	(1)	E2414601001 Retainer	BSIII				
29	(1)	EF0020C40562 Nozzle DSLA154P1306	BSIII	41	(1)	EF002f5108 Filler Piece	BSIII				
30	(1)	E9431030172 Sealing Washer	BSIII	42	(1)	ED43340 Guiding Bolt	BSIII				

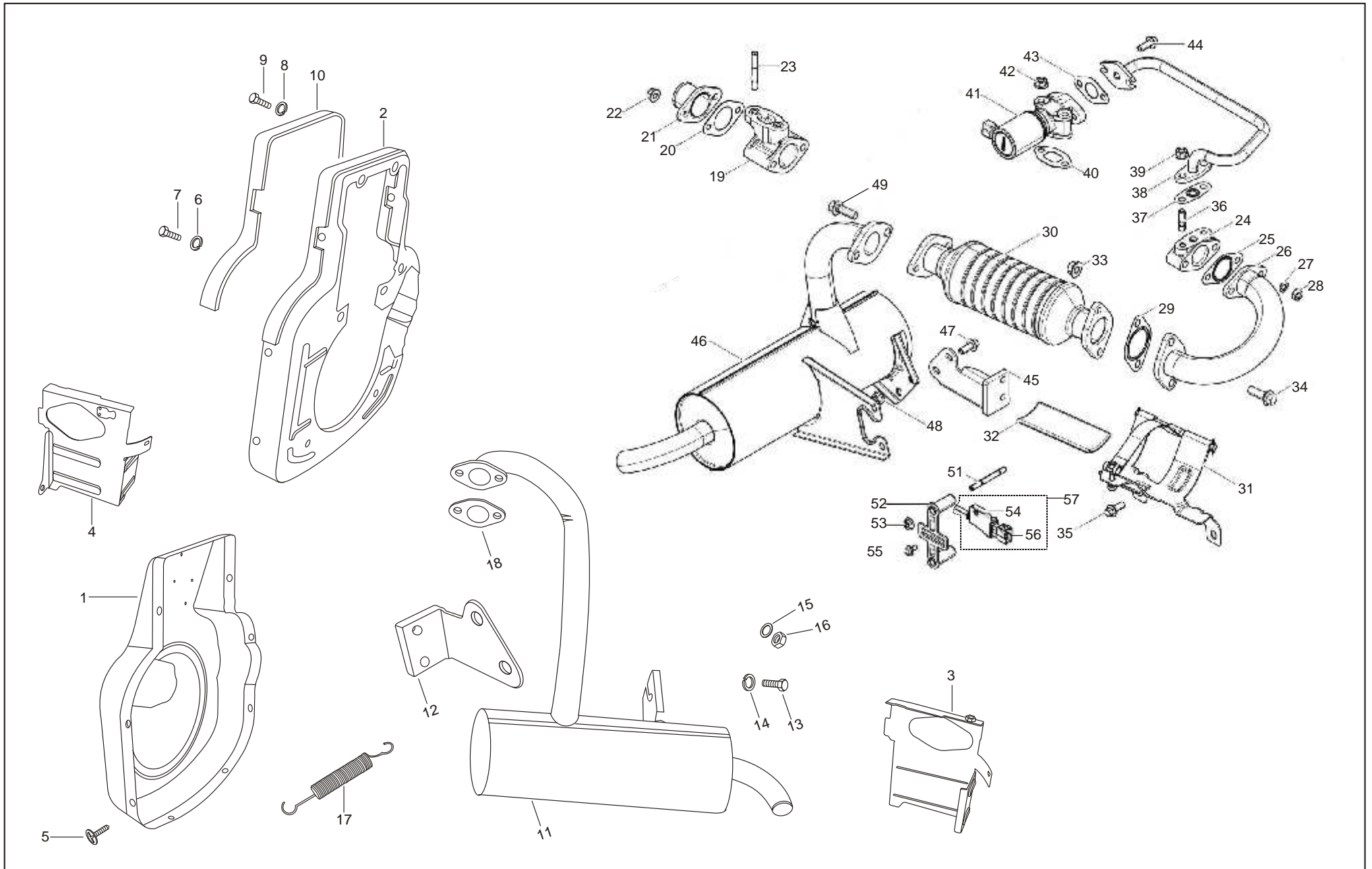


PLATE – IX

ENGINE COWLING, AIR DUCT, EXHAUST SYSTEM

1	(1)	E5202569563 Air Cowl 1.1 Kw	BSII	4	(1)	E43531728 Air baffle intake side	BSIII	14	(2)	E1756507 Spring Washer	BSII
1	(1)	E43531743 Air shroud (Blue)	BSIII	5	(3)	E90979037 Philips Screw	C	15	(8)	809000641 Spring Washer	BSII
1	(1)	E43531726 Air shroud (Black)	BSIII	5	(6)	E90979039 Philips head Screw	BSII	16	(8)	800000624 Nut	BSII
1	(1)	E40001765 Air Cowl 0.7 Kw	BSII	6	(4)	E40000704 Washer Spring	BSII	17	(1)	E5405725043 Spring Air Baffle	C
2	(1)	E5406370420 Back Plate 1.1 Kw	BSII	7	(4)	E1177004 Bolt	BSII	18	(1)	E500450091 Joint Exhaust Flange	BSII
2	(1)	E43531740 Back plate for rope starter	BSIII	7	(4)	E9177006 Bolt for back plate	BSIII	19	(1)	E43508876 Flange Intake Machined	BSIII
2	(1)	E43531725 Back Plate	BSIII	8	(4)	E1756507 Washer Spring	C	20	(2)	E500450092 Joint-intake Flange	C
2	(1)	E40001763 Back Plate 0.7 Kw	BSII	9	(2)	E1177004 Bolt	BSII	21	(1)	E50008650 Flange For Air Filter	BSIII
3	(1)	E43531729 Air Baffle (exhaust side)	BSIII	9	(2)	E43502817 Hex flange bolt m8 x 1.25 x 12	BSIII	22	(2)	E07502810 Collar Nut M8 X 1.25	BSIII
3	(1)	E40031732 Air Baffle (exhaust side)	C	10	(1)	E50006404 Joint	BSII	23	(2)	E43500578 Stud-m8	BSIII
3	(1)	E5505066199 Air Baffle (exhaust side)	BSII	11	(1)	E50007715 Exhaust Muffler	BSII	24	(1)	E43508875 Flange Exhaust Machined	BSIII
4	(1)	E5505066198 Air Baffle (inlet)	BSII	12	(1)	ED41100 Bracket Exhaust Muffler	BSII	25	(2)	E43526147 Joint-exhaust Flange	BSIII
4	(1)	E40031733 Air baffle intake side	BSIII	13	(2)	E1177004 Bolt	BSII	26	(1)	E43510825 Pipe-exhaust(exhaust Flange To Oxycat)	BSIII

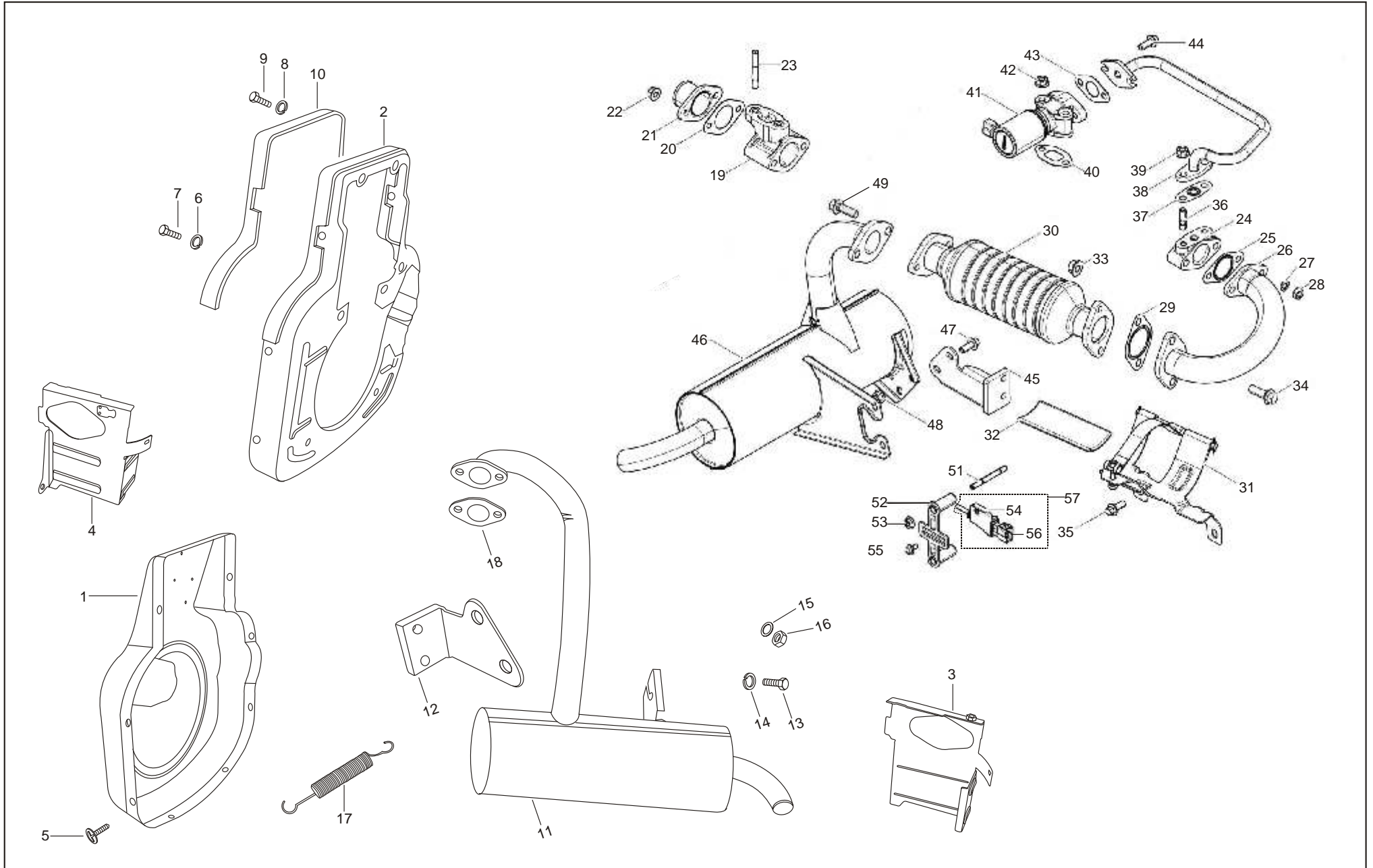


PLATE – IX

ENGINE COWLING, AIR DUCT, EXHAUST SYSTEM

26a	(1)	B006743 Pipe-exhaust (exh. flange to oxycat) (N.I.)	BSIII	35	(2)	E50002805 Collar Bolt M8x1.25x20	BSIII	46a	(1)	B006742 Assembly Muffler (N.I.)	BSIII
27	(2)	E1756507 Spring Washer For M8	BSIII	36	(2)	E07500509 Stud M8	BSIII	47	(2)	E50002805 Collar Bolt M8x1.25x20	BSIII
28	(2)	E50000225 Nut Ss	BSIII	37	(1)	E43526150 Gasket(exhaust Manifold-egr Pipe)	BSIII	48	(2)	E07502810 Collar Nut M8 X 1.25	BSIII
29	(2)	E87026113 Gasket-exhaust Outlet-oxycat	BSIII	38	(1)	E43507357 Pipe - EGR (on-off)	BSIII	49	(2)	E43502821 Hex Head Flange Bolt M10x1.5x30	BSIII
29a	(1)	B006756 Gasket-exhaust outlet-oxycat (N.I.)	BSIII	39	(2)	E07502810 Collar Nut M8 X 1.25	BSIII	50	(1)	B009993 Air filter assy. (w/o bkt.) (N.I.)	BSIII
30	(1)	E43517706 Oxycat Metalic Assy. Dia 80 mm	BSIII	40	(1)	E43526149 Gasket-(intake Flange-egr Valve)	BSIII	51	(2)	E43521732 Stud M6x1 For Egr Switch	BSIII
30a	(1)	B006385 Oxycat Metalic Assy. Dia 80 mm (N.I.)	BSIII	41	(1)	E43521744 Solenoid Valve	BSIII	52	(1)	E43521729 Bracket Assy For Egr Switch	BSIII
31	(1)	E43518074 Bracket-oxycat Assembly	BSIII	42	(2)	E07502810 Collar Nut M8 X 1.25	BSIII	53	(2)	E07502811 Collar Nut M6x1	BSIII
32	(1)	E43526171 Thermal Insulation 120x50x8	BSIII	43	(1)	E43526151 Gasket(egr Valve-egr Pipe)	BSIII	54	(1)	E43521753 EGR Switch	BSIII
33	(4)	E07502812 Collar Nut M10x1.5	BSIII	44	(2)	E50002805 Collar Bolt M8x1.25x20	BSIII	55	(1)	E43502822 Hex Head Flange Bolt M5x0.8x10	BSIII
33a	(4)	B006758 Hex Flange nut (m10 x 1.5) (N.I.)	BSIII	45	(1)	E43520672 Bracket-muffler (Engine Side)	BSIII	56	(1)	E43518076 Wiring Harness(EGR Greaves)	BSIII
34	(2)	E43502821 Hex Head Flange Bolt M10x1.5x30	BSIII	45a	(1)	A1611001 Silencer Mtg. bkt.(N.I.)	BSIII	57	(1)	E43521778 EGR Switch With Wire Harness	BSIII
34a	(4)	B006757 Hex Head Flange bolt M10.x1.5x30 (N.I.)	BSIII	46	(1)	E43507784 Assembly Muffler	BSIII	58	(1)	E40008728 Element For Air Filter (400-186-25) (N.I.)	BSIII

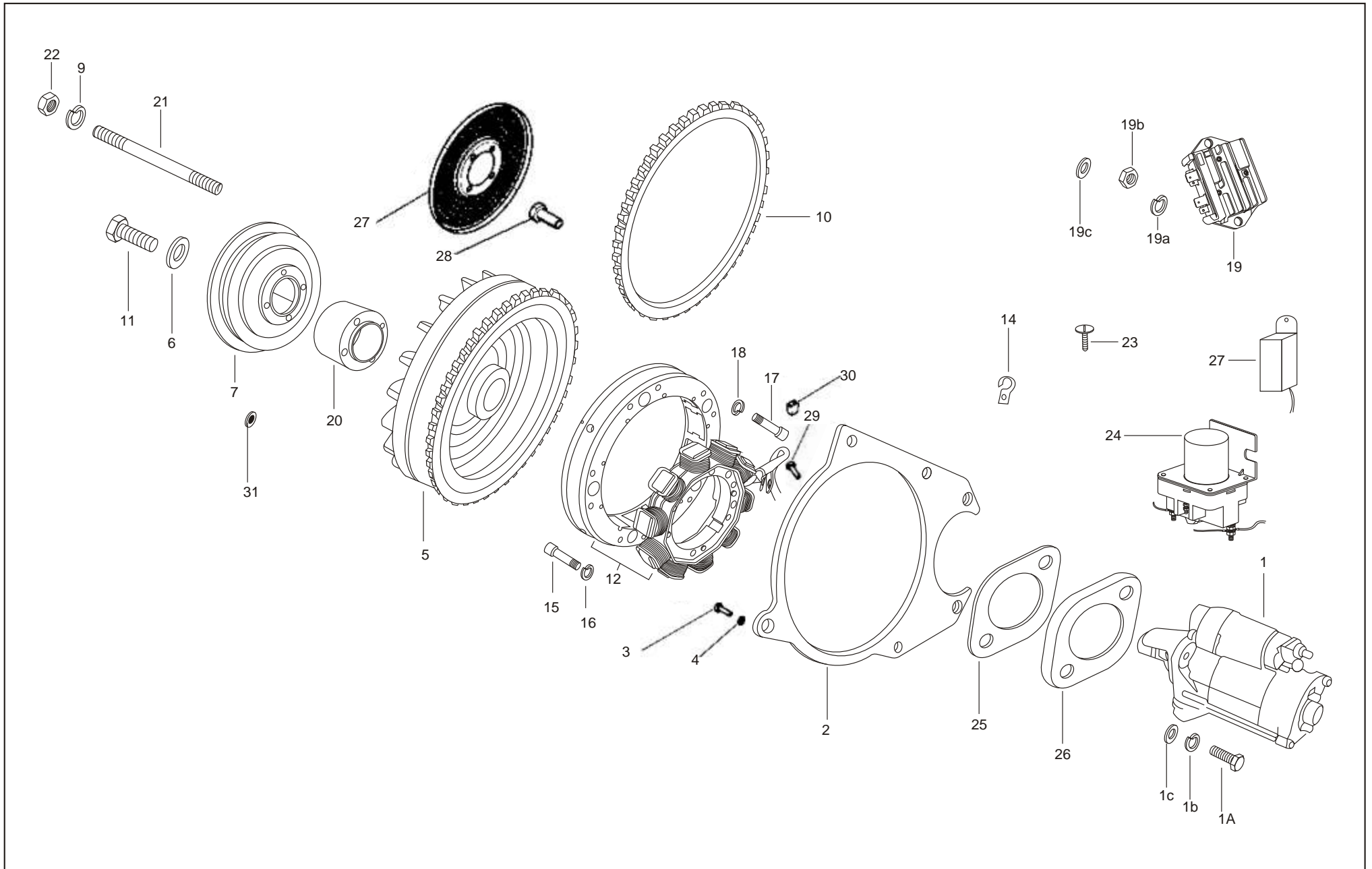


PLATE – X

STARTER MOTOR, FLYWHEEL, FLYWHEEL MOUNTED ALTERNATOR AND REGULATOR

1	(1)	F002G20252 Starter Motor	BSII	5	(1)	E40009566 Flywheel	BSII	14	(3)	E6193361721 Clamp	C
1	(1)	E40005463 Starter Motor	BSIII	5	(1)	E43509593 Fly wheel with ring gear (Consisting of 5 & 10)	BSIII	15	(4)	E40000477 Screw Stator Mounting	C
1a	(2)	E47177007 Bolt (Starter)	BSIII	6	(1)	E97626043 Plain Washer Flywheel	C	16	(4)	E26756503 Spring Washer	BSII
1b	(2)	E45762512 Plain washer	BSIII	7	(1)	ED41099 Starting Pulley (Al)	BSII	16	(4)	E250755503 Wave Washer	BSIII
1c	(2)	E1756507 Spring washer	BSIII	7	(1)	E50007626 Starting Pulley (Sheet metal)	C	17	(5)	E270973015 Hex Socket Head Screw	BSII
2	(1)	E5406360073 Plate Starter 1.1 Kw	BSII	9	(4)	E40000704 Washer Spring	C	17	(5)	E245176006 Screw Rotor	BSIII
2	(1)	E40001766 Plate Starter 0.7 Kw Dust Protector	BSII	10	(1)	E40009648 Ring Gear Starter	C	18	(5)	E250755504 Washer Spring	BSII
2	(1)	E40001773 Plate Starter	BSIII	11	(1)	E50000434 Bolt Flywheel	BSII	18	(5)	E1756504 Wave Washer	BSIII
3	(4)	E9177006 Bolt for back plate	BSIII	11	(1)	E52200435 Bolt Flywheel Fixing (LH)	C	19	(1)	ED22158 Regulator GL400	BSII
4	(4)	E1756507 Spring washer	BSIII	12	(1)	ED11989 Flywheel Mounted Alternator assy.	C	19	(1)	ED33204 Regulator	BSIII
5	(1)	E40009567 Flywheel with Ring Gear 0.7 Kw (INEL FMA) Dust Protector (Consisting of 5 & 10)	BSII	12	(1)	ED42188 Stator INEL FMA	BSII	19	(1)	660081 RR Unit with battery charge indicator	BSIII
5	(1)	E43502762 Flywheel	BSIII	12	(1)	ED42189 Rotar INEL FMA	BSII	19a	(2)	16406 Spring washer M6	BSII

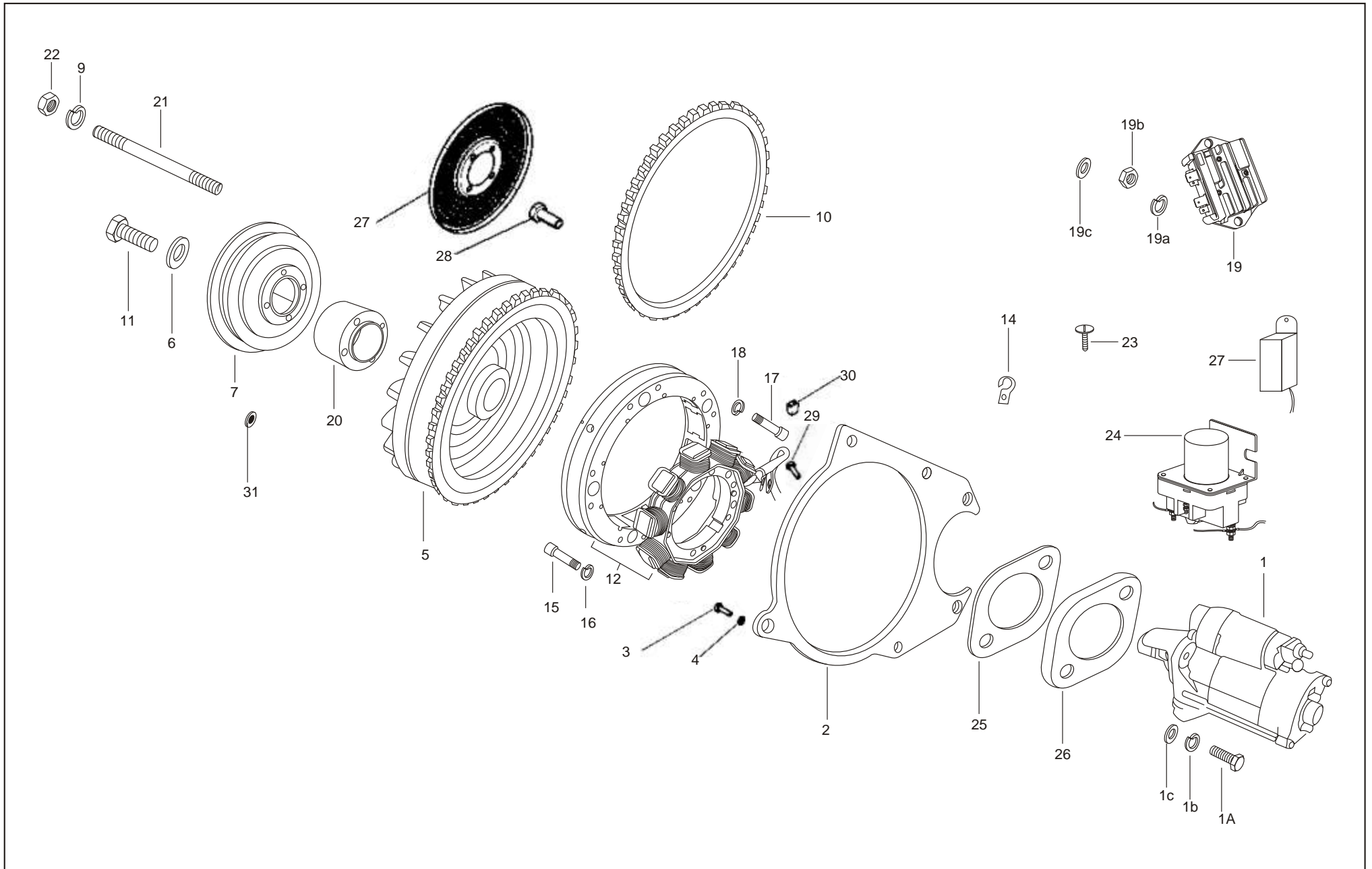


PLATE – X**STARTER MOTOR, FLYWHEEL, FLYWHEEL MOUNTED ALTERNATOR AND REGULATOR**

19b	(2)	20106 Hex nut M6	BSII	27	(1)	ED32131 Guard Plate	BSIII
19c	(2)	3056 Plain washer	BSII	28	(4)	E40020113 Head screw for fly wheel guard	BSIII
20	(1)	ED42246 Spacer For Pulley	BSIII	29	(4)	E202177002 Screw for starter plate	BSIII
20	(1)	ED43480 Spacer for pulley	BSIII	30	(1)	E40005592 Bush for FMA cable	BSIII
21	(4)	E40000548 Stud	BSII	31	(4)	E260756505 Spring washer (for sheet metal pulley)	BSIII
21	(4)	E40000565 Stud for pulley	BSIII	32	(1)	ED43284 List of joints (N.I)	BSII
22	(4)	E1324010 Nut	BSII	32	(1)	E43526175 List of joints (N.I)	BSIII
23	(1)	E50000405 Screw	BSII				
24	(1)	184410012 Relay Solenoid	BSII				
24	(1)	587671 Relay Solenoid	BSII				
25	(1)	E2922833073 Spacer	BSII				
26	(1)	E5303790040 Flange	BSII				

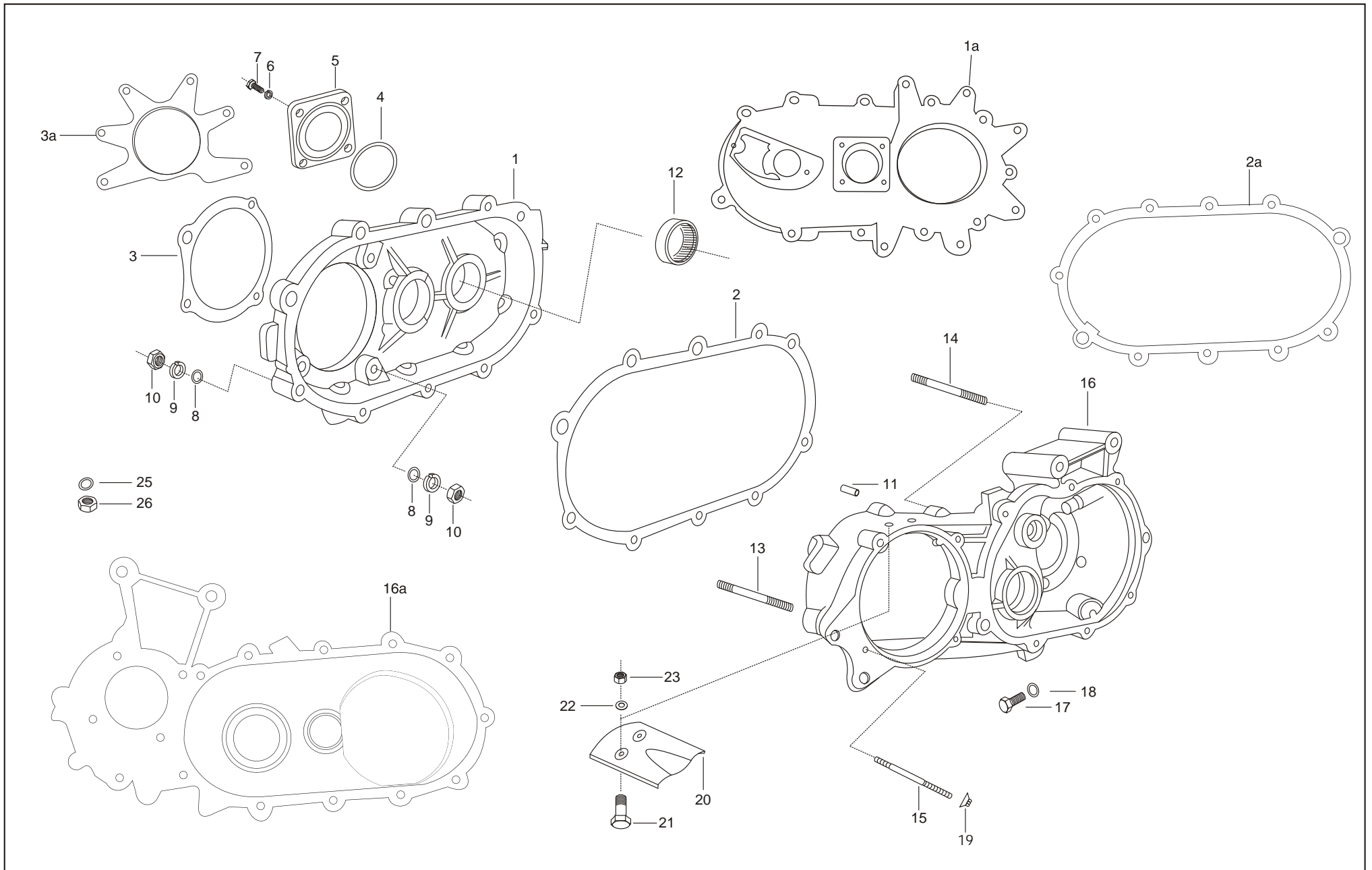


PLATE – XI

ENGINE SIDE COVER AND MAIN HOUSING

1	(1)	127171011 Engine Cover Side	C	7	(4)	812061620 CSK Hex Screw M6 x 16	C	12	(1)	120212012 Needle Bush JL 188 NRB	C
1a	(1)	127171310 Engine Cover Side (Ext mtg)	F,B,LD	7	(4)	812061656 CSK Hex Screw M6 x 16	F,B,LD	13	(2)	815084520 Stud M8 x 45 (Ext. mtg)	F,B,LD
2	(1)	128071012 Gasket; Engine Side Cover	C	8	(11)	808000826 Plain Washer M8 (Ext. Mtg)	F,B,LD	13	(8)	815084520 Stud M8 x 45	C
2a	(1)	B001844 Gasket Engine side cover (11 stud)	F,B,LD	8	(10)	808000826 Plain washer M8	C	14	(9)	815084025 Stud M8 x 40	F,B,LD
3	(1)	129001014 Gasket; PTO Face	C	9	(14)	809000847 Spring Washer M8	C	14	(8)	815084025 Stud M8 x 40	C
3a	(1)	B001501 Gasket PTO cover & E.S.C	F,B,LD	9	(11)	16408 Spring Washer M8 (Ext. mtg)	F,B,LD	15	(4)	815064025 Stud M6 x 40	C
4	(1)	825420215 O Ring - Cover plate	C	9	(10)	16408 Spring washer M8	C	16	(1)	127101016 Main Housing; Gear Box	F,B,LD
4a	(1)	661654 Gasket for plate (Eng. side hsg.)	F,B,LD	10	(14)	800000820 Hex Nut M8	C	16	(1)	127109018 Main Housing	C
5	(1)	520221019 Cover Plate	C	10	(14)	20108 Hex Nut M8	C	16a	(1)	127119013 Main Housing (Ext. mtg)	F,B,LD
5	(1)	661653 Cover Plate (Eng. side Hsg.) - VE	F,B,LD	10	(11)	15335 Hex Nut M8 x 8 thick	F,B,LD	17	(1)	811081025 Hex Screw M8 x 10	F,B,LD
5	(1)	B001770 Cover Plate (Eng. side Hsg.) - VE	F,B,LD	10	(10)	15335 Hex Nut M8 x 8 thick	C	18	(1)	120271018 Fibre Washer Drain Plug	F,B,LD
6	(4)	807000647 Conical Lock Washer M6	C	11	(2)	127102010 Hollow Dowel (G.B. Eng. side cover)	C	19	(6)	659842 Nut with conical washer M8 x 1.25p	F,B,LD

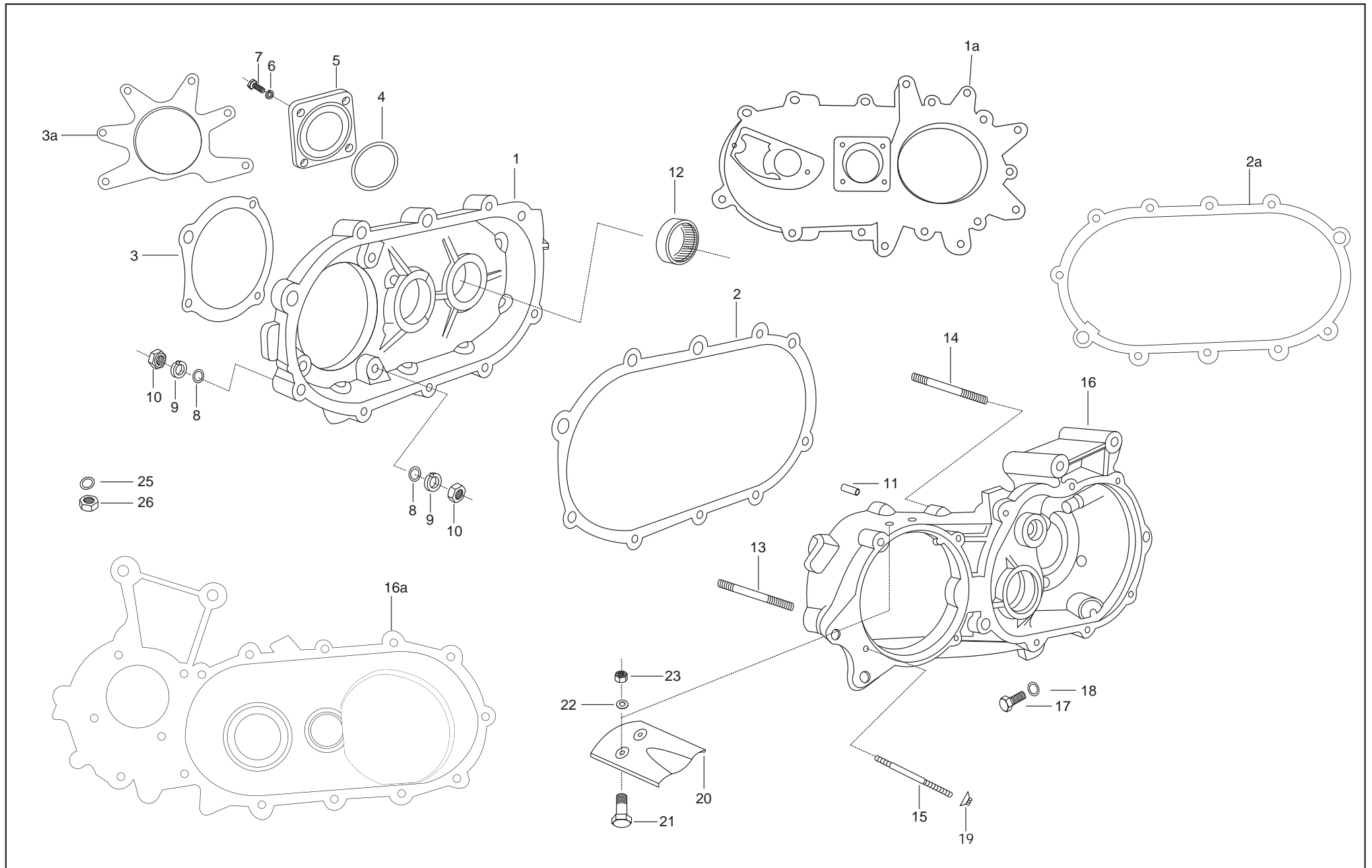


PLATE – XI

ENGINE SIDE COVER AND MAIN HOUSING

20	(1)	127911019	C	26	(5)	127916019	C
		Oil Deflector Clutch				Hex Nut - GB to PTO cover	
21	(2)	567741	F,B,LD				
		Hex screw M5 x 18 (811051824)					
22	(2)	127912013	F,B,LD				
		Fibre Washer Oil Deflector					
23	(2)	802000525	C				
		Nylock Nut M5					
23	(2)	12136	F,B,LD				
		Nylock Nut M5 (802000525)					
24	(1)	227910014	C				
		Gear Box Assy. (JV) Commercial (N.I.)					
24	(1)	127910015	C				
		Gear Box Assy. (JV) Passenger (N.I.)					
24	(1)	B002322	B,LD				
		GB Ext. Mtg. (W/O clutch assy.) (N.I.)					
24	(1)	B001880	F,B,LD				
		GB Assy. with diff. comp (extranal) (N.I.)					
24	(1)	B001881	B,LD				
		G. B. & Diff. Assy. (cargo) (N.I.)					
24	(1)	B001870	F,B,LD				
		Gear box assy. (N.I.)					
25	(5)	127915015	C				
		Washer - GB to PTO cover					

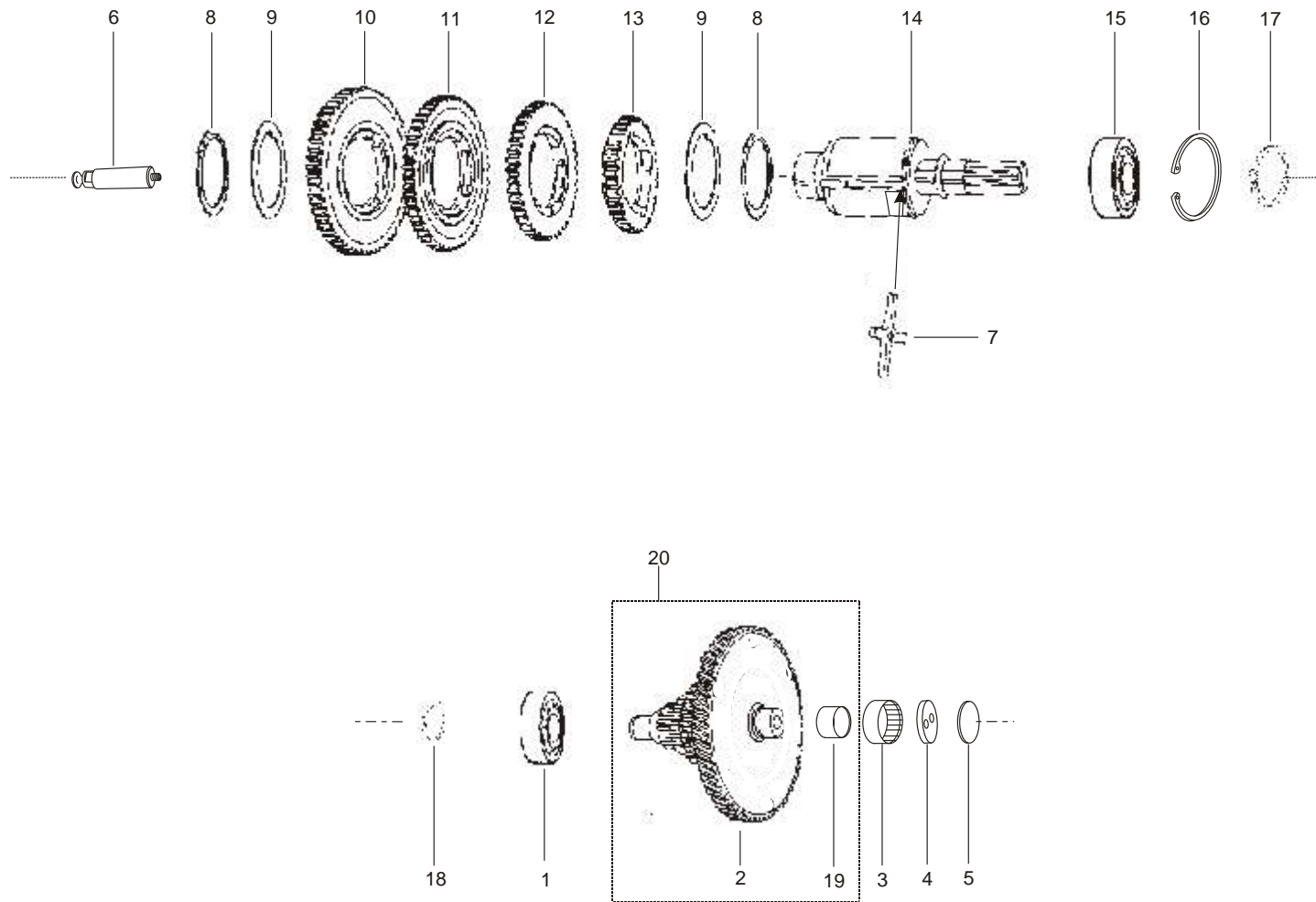


PLATE – XII

MAINSHAFT, SPEED GEARS AND CLUSTER GEAR

1	(1)	30209 Ball Bearing 6302 for wheel hub	F,B,LD	9	(*)	523012017 Shoulder Ring 1.70 mm thick	C	14	(1)	127304515 Main Shaft (VE)	F,B,LD
2	(1)	127201012 Cluster Gear	C	9	(*)	523014015 Shoulder Ring 2.00mm thick	C	15	(1)	880255211 D.G. Ball Bearing 25 x 52 x15	F,B,LD
2	(1)	127305519 Cluster Gear (VE)	F,B,LD	10	(1)	127301018 Speed Gear 1st	F,B,LD	16	(1)	841004708 Circlip Dia 47 (Int)	C
2	(1)	127203010 Cluster gear (VE)	F,B,LD	10	(1)	127309515 Speed Gear 1st (VE)	F,B,LD	16	(1)	841005207 Circlip Dia 52 (Int)	F,B,LD
3	(1)	884222808 Needle Bush-Main Housing	F,B,LD	11	(1)	127302012 Speed Gear 2nd	F,B,LD	17	(1)	842002006 Circlip Dia 20 (Ext)	C
4	(1)	120204015 Washer	F,B,LD	11	(1)	127302517 Second Speed Gear (VE)	F,B,LD	17	(1)	842002501 Circlip Dia 25 (Ext)	F,B,LD
4	(1)	120206013 Washer (Alt)	F,B,LD	12	(1)	127303016 Speed Gear 3rd	F,B,LD	18	(1)	842001507 Circlip Dia 15 (Ext)	C
5	(1)	120205019 Shim Hard Bush	F,B,LD	12	(1)	127307517 Speed Gear 3rd - (VE)	F,B,LD	19	(1)	122032014 Inner Ring-Cluster Gear	F,B,LD
6	(1)	523021018 Stem Gear Operating	F,B,LD	13	(1)	127305014 Speed Gear 4th	F,B,LD	20	(1)	127200018 Cluster gear with inner ring	F,B,LD
7	(1)	127306018 Cross (Alt const 221569)	C	13	(1)	127306513 Speed Gear 4th (VE)	F,B,LD				
8	(2)	842004808 Circlip Dia. 48 (ext)	C	13	(1)	127307012 Speed Gear 4th	F,B,LD				
9	(2)	523011013 Shoulder Ring 1.5mm thick	C	14	(1)	127451019 Main Shaft (Modified)	F,B,LD				

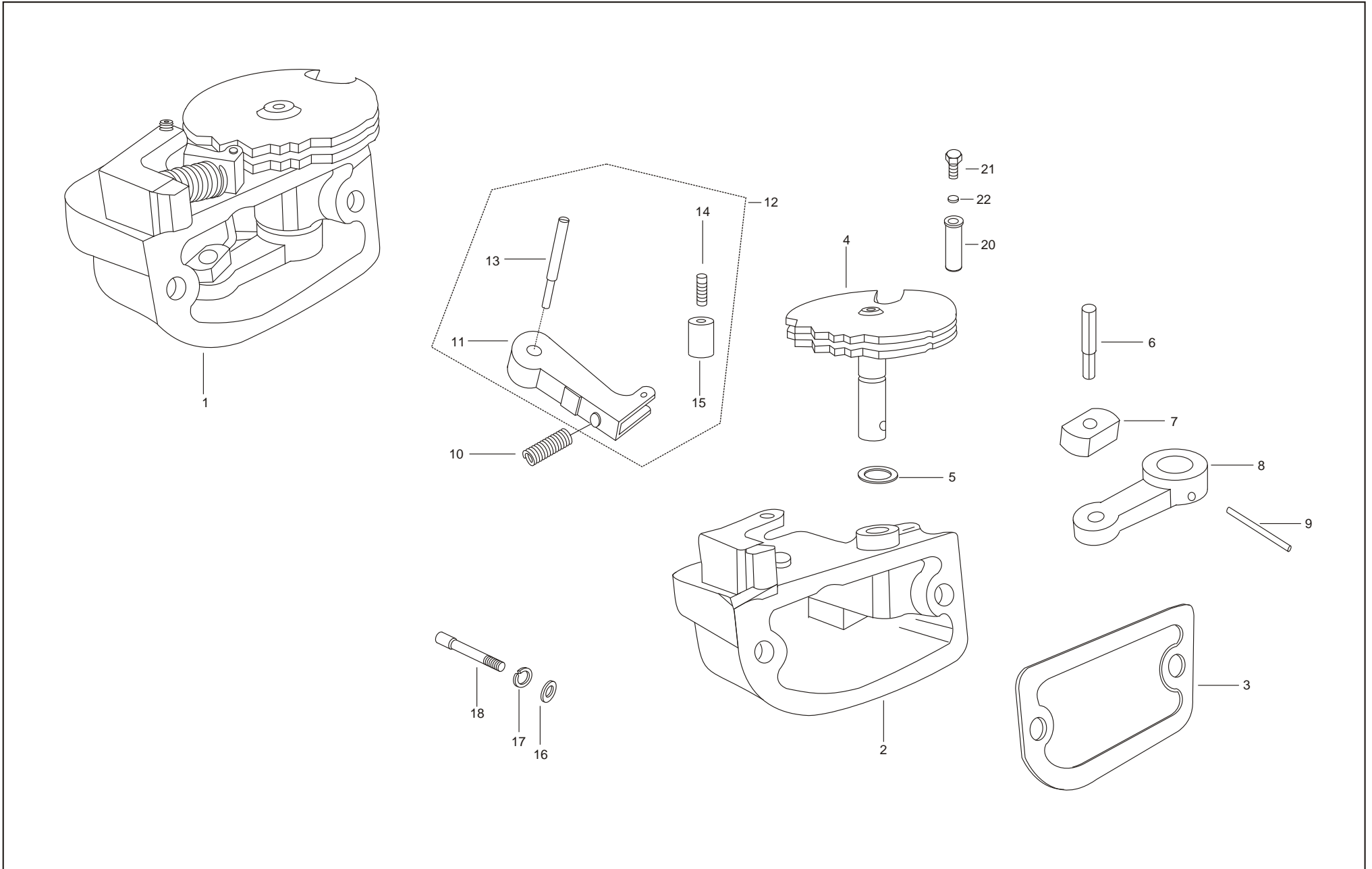


PLATE – XIII

GEAR SHIFTER AND ITS CONTROL MECHANISM

1	(1)	127640012	F,B,LD	12	(1)	126050014	C	23	(2)	604560	C
		Gear Shifter Housing Assy. Complete Consisting of Sr.No. 2;4 to 10 & 12				Bracket with Roller Assy. (Consisting of Sr.No. 11;13;14 &15)				Screw Terminal assy. - Gear Control (N.I)	
2	(1)	127641016	F,B,LD	13	(1)	126054010	F,B,LD				
		Gear Shifter Housing				Screw for Bracket					
3	(1)	128081017	F,B,LD	14	(1)	126053016	C				
		Gasket Housing Gear Shifter Housing				Pin for Roller					
4	(1)	127660012	F,B,LD	15	(1)	126052012	F,B,LD				
		Sector; Connector Plate with Pin Assy.				Roller (40673)					
5	(1)	825080209	C	16	(2)	3056	F,B,LD				
		O Ring - (Sector Plate Assy.)				Plain Washer					
6	(1)	126022017	C	17	(2)	16406	F,B,LD				
		Pin for Slider Block				Spring Washer M6					
7	(1)	126021013	C	18	(2)	819064530	F,B,LD				
		Slider Block (40641)				Socket Head Screw M6 x 45					
8	(1)	526023017	F,B,LD	19	(1)	127650017	F,B,LD				
		Gear Shifter Lever				Sector; Connector Plate and Lever Assy. (NI)					
9	(1)	126004015	F,B,LD	20	(2)	567594	C				
		Taper Pin (For Lever)				Screw Terminal					
10	(1)	126003011	F,B,LD	21	(1)	31054	C				
		Spring Gear Shifter Assy.				Hex Head Screw M5 x 10CL 8.8					
11	(1)	126060019	C	22	(1)	150418	C				
		Bracket Assy.				Disc Thick = 1.8					

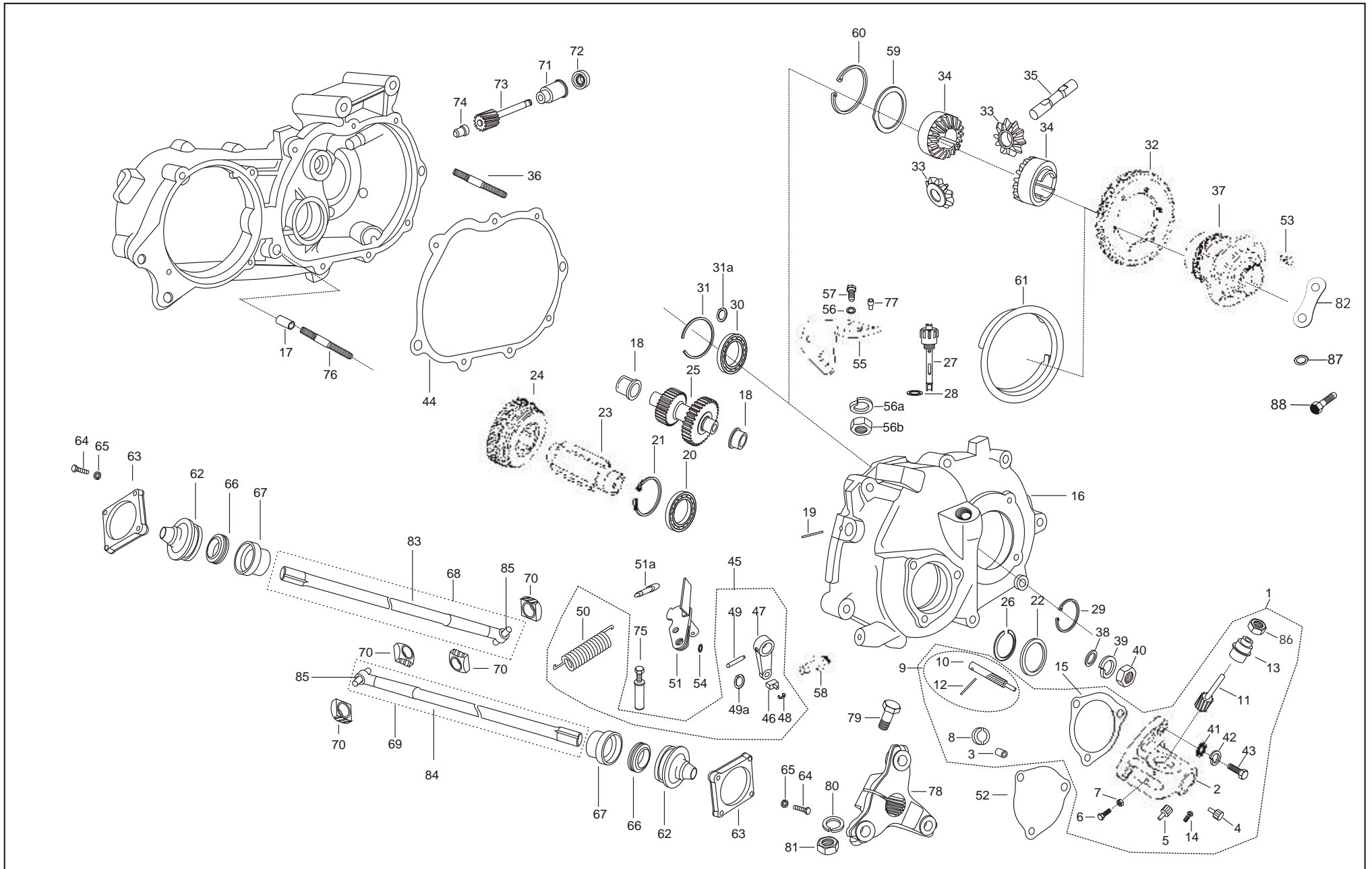


PLATE – XIV

DIFFERENTIAL UNIT, FARE METER HOUSING AND SPEEDO DRIVE

1	(1)	124140011 Fare Meter Housing Assy. (modified)	F	12	(1)	822031942 Spring Pin (3x19)	F	21	(1)	841005506 Circlip Dia 55 (Int)	F,B,LD
2	(1)	124161015 Fare Meter Housing (modified)	F	13	(1)	124104017 Adapter	F	22	(1)	888472578 Oil Seal Gear Box	C
3	(1)	124112014 Bush (10951)	F	14	(1)	124113018 Grease Nipples (m6)	F	22	(1)	888472671 Oil Seal (30 x 52 x 7)	F,B,LD
4	(1)	125012015 Plug f.m. Housing (40734)	F	15	(1)	165031013 Gasket-Speedo Drive Housing	F,B,LD	23	(1)	127501010 Shaft Pinion	C
5	(1)	165121014 Pin (40635)	F,B,LD	16	(1)	127121016 Gear Box Cover	C	23	(1)	127503018 Shaft Pinion (Modified)	F,B,LD
6	(1)	811051525 Screw (Hex head M5 x 15)	F	16	(1)	127112015 Gear Box Cover	F,B,LD	24	(1)	127401014 Gear R.C. Passenger	F
7	(1)	801000528 Check Nut	F	17	(2)	120203011 Hollow Dowel-gear box cover	F,B,LD	24	(1)	227401013 Gear R.C. (Cargo)	B,LD
8	(1)	124105011 (40822) Plug Fare Meter Drive	F	18	(2)	120302013 Bush (20061)	F,B,LD	24	(1)	127402513 Gear R.C (VE)	F
8	(1)	124106015 Plug for Faremeter	F	19	(1)	822051647 Spring Pin (5 x 16)	C	24	(1)	227404015 R.C. gear (Cargo) Modified	B,LD
9	(1)	124120011 Fare Meter Pinion Assy	F	20	(1)	880255209 Ball Bearing 98205	C	25	(1)	124105011 Idler Gear (Pass)	F
10	(1)	124121015 Fare Meter Pinion	F	20	(1)	880305509 D. G. Ball Bearing 30 x 55 x 13	F,B,LD	25	(1)	227571014 Idler Gear (Cargo)	B,LD
11	(1)	124102019 Fare Meter Gear	F	21	(1)	841005207 Circlip Dia 52 (Int)	C	25	(1)	127574017 Idler gear (VE) Pass	F

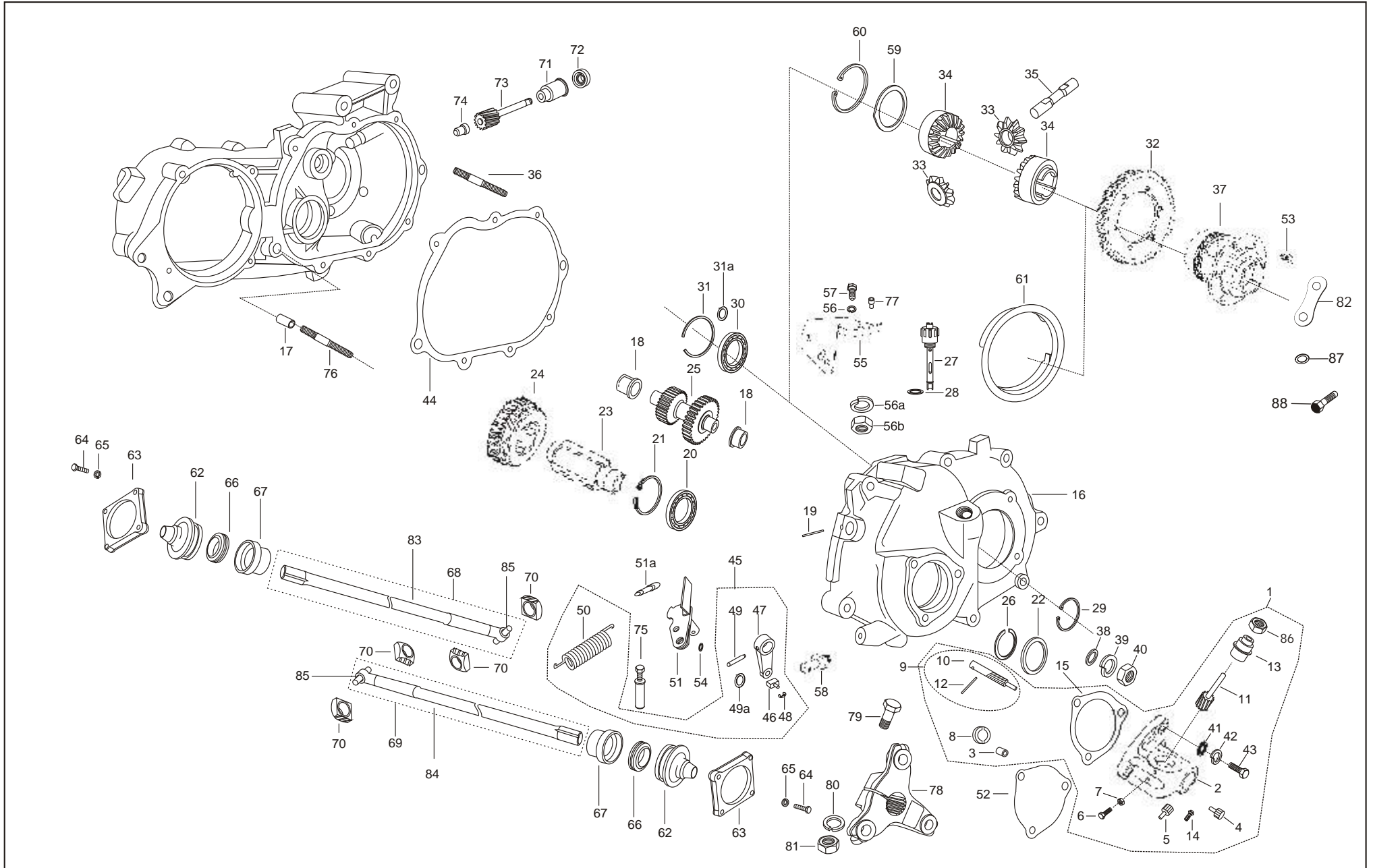


PLATE – XIV

DIFFERENTIAL UNIT, FARE METER HOUSING AND SPEEDO DRIVE

25	(1)	227580015 Idler Gear (VE) Cargo	B,LD	33	(2)	165155 Differential Gear	C	40	(10)	15335 Hex Nut M8 x 8	C
26	(1)	842002501 Circlip Dia 25 (Ext)	C	33	(2)	B006714 Satellite Diff. Gear (Cold forge)	F,B,LD	40	(8)	20108 Hex Nut M8	F,B,LD
26	(1)	842003000 Circlip Dia 30(Ext)	F,B,LD	34	(2)	132136 Gear Sun	F,B,LD	41	(3)	3056 Plain Washer	F,B,LD
27	(1)	112898 Oil Level Arm with plug	F,B,LD	34	(2)	B006715 Gear Sun (Cold forge)	F,B,LD	42	(3)	16406 Spring Washer M6	F,B,LD
28	(1)	127016015 Dipstick Sealing Washer	F,B,LD	35	(1)	132129 Pin	F,B,LD	43	(3)	31088 Hex Head Screw M6 x 16 C.C 8.8 (811061623)	F,B,LD
29	(1)	6450 Circlip Dia 48 (Ext)	C	36	(8)	815084520 Stud M8 x 45	F,B,LD	44	(1)	127141016 Gasket G.B. Cover	F,B,LD
30	(1)	7066 Ball Bearing TATA 16010	F,B,LD	37	(1)	288730 Differential Cage	C	45	(1)	128050018 Lever & Sector Assy. consisting of Sr.No. 46;47;48;49;50 & 52	F
31	(1)	111353 Circlip	F,B,LD	38	(8)	808000826 Plain Washer M8	F,B,LD	45	(1)	228050017 Lever & Sector Assy. consisting of Sr.No. 46; 47;48;49;50 & 52	B,LD
31a	(1)	16406 Spring washer M6	B,LD	38	(10)	808000826 Plain Washer M8	C	46	(1)	120321019 Slider Block R.C. Gear	F,B,LD
32	(1)	127551015 Gear Final Drive (Pass)	F	39	(8)	16408 Spring Washer M8	C	47	(1)	127151011 Lever R. C. Gear (41738)	F
32	(1)	227551014 Gear Final Drive (Cargo)	B,LD	39	(10)	16408 Spring Washer M8	F,B,LD	47	(1)	120322013 Lever (R C Gear) (41929)	B,LD
32	(1)	227555010 Gear Final Drive	B,LD	40	(8)	800000820 Hex Nut M8	C	47	(1)		

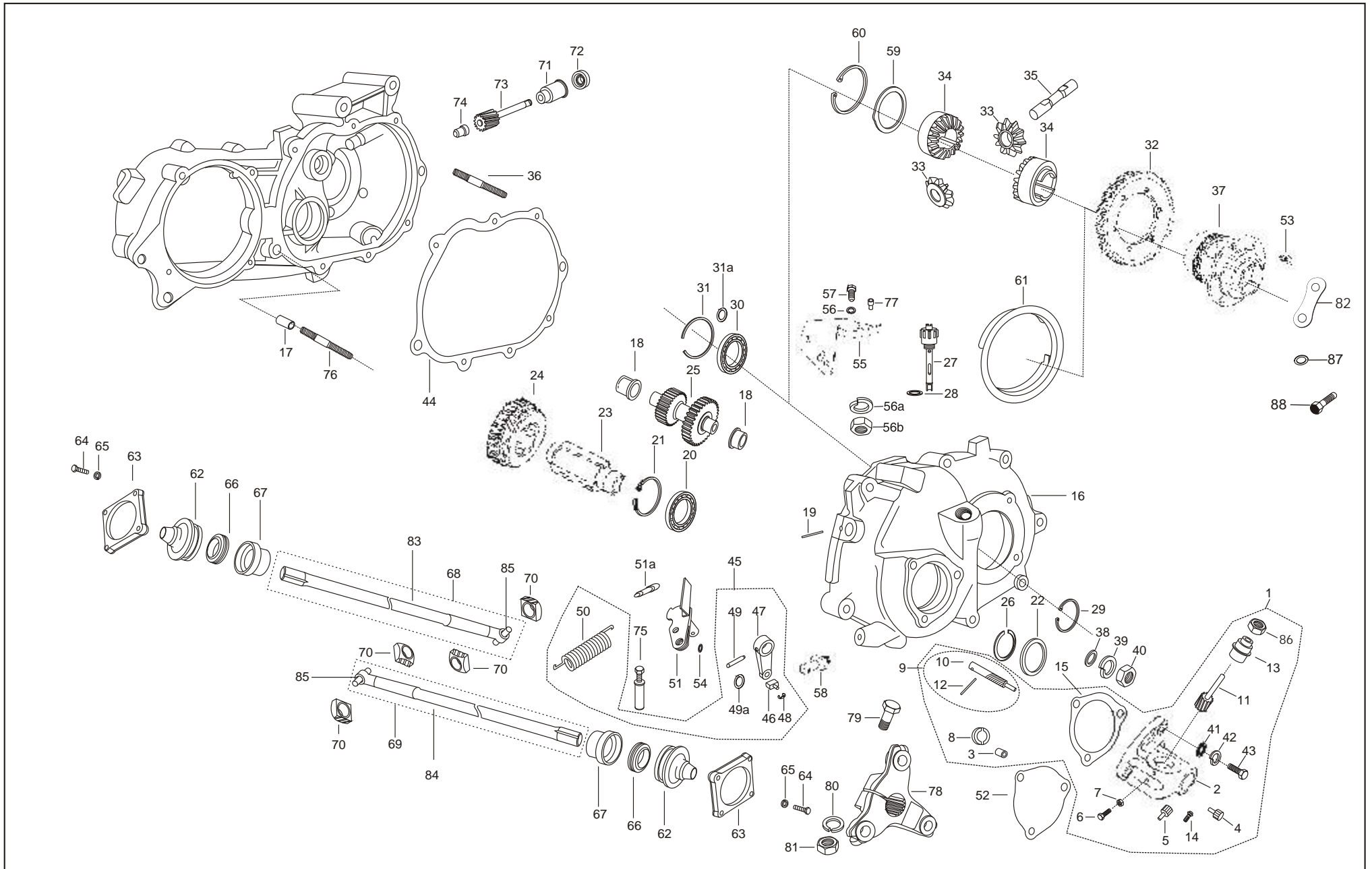


PLATE – XIV

DIFFERENTIAL UNIT, FARE METER HOUSING AND SPEEDO DRIVE

48	(1)	843000500 Circlip Dia 59 (Ext) Type C	C	56	(2)	16404 Spring Washer M4	C	65	(8)	16406 Spring Washer M6	F,B,LD
48	(1)	843000500 Circlip Dia 5 (Ext) Type C	F,B,LD	56a	(2)	3054 Plain washer (808000424)	C	66	(2)	183511 Oil Seal	F,B,LD
49	(1)	17702 Spring Pin R.C. Gear (120309011)	F,B,LD	56b	(2)	20104 Hex nut M4 (800000428)	C	67	(2)	113278 Bracket with Retention Ring (41736)	F,B,LD
49a	(1)	632191 'O' Ring	F,B,LD	57	(2)	811061221 Screw M6 x 12	C	68	(1)	587687 Prop. Shaft Sub. Assy. with Pin LH	F,B,LD
50	(1)	127111011 Reverse Gear Spring	C	57	(2)	31088 Screw M6 x 16	C	69	(1)	587685 Prop. Shaft Sub. Assy. with Pin RH	F,B,LD
51	(1)	128060013 Sector Plate Assy. Complete	F,B,LD	58	(1)	128307019 Bolt R.C. Spring retaining	F,B,LD	70	(4)	112867 Slider Block Prop. shaft	C
51a	(1)	128061017 Pin - Sector Plate	F,B,LD	59	(1)	220575 Washer 65 x 3	F,B,LD	70	(4)	643656 Slider Block (Sintered)	C
52	(1)	220364010 Cover plate (Diff. Cover) - VE	B,LD	60	(1)	132134 Circlip	F,B,LD	71	(1)	117401 Bush (41735)	F,B,LD
53	(6)	168065 Collared Screw M10 x 18	C	61	(1)	132244 Stopper Thickness=1.0	F,B,LD	72	(1)	117402 Oil Seal	F,B,LD
53	(6)	B003163 Hex screw (M10 x 20L x 1.25-6g)	C	62	(2)	198618 Bellow	F,B,LD	73	(1)	117404 Speedo Meter Gear	F,B,LD
54	(1)	825080209 O Ring (Sector Plate Assy.)	C	63	(2)	111356 Cover	F,B,LD	74	(1)	165121014 Pin (40035)	C
55	(1)	128306015 Stopper Plate R.C. Lever	F,B,LD	64	(8)	31092 Hex Head Screw M6 x 25 C L 8.8 (811062524)	F,B,LD	75	(1)	604560 Screw Terminal Assy. - Gear control	F,B,LD

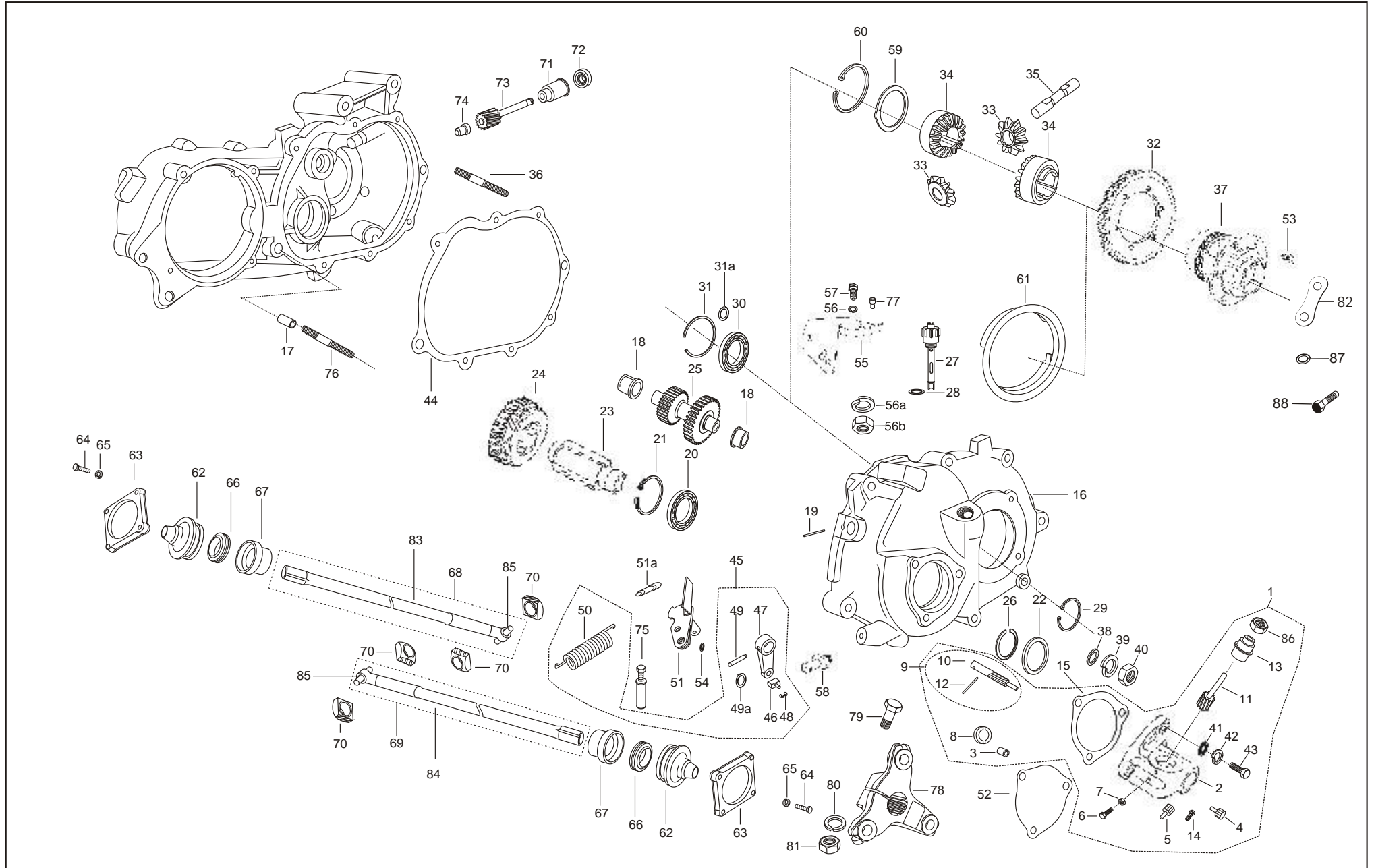


PLATE – XIV

DIFFERENTIAL UNIT, FARE METER HOUSING AND SPEEDO DRIVE

76	(2)	127103014 M8 Stud-Main Housing	F,B,LD	86	(1)	20705 Hex nut M5	C
77	(1)	119278 Terminal	C	87	(3)	B003155 Plain washer	C
78	(1)	111498 Elastic Hub	C	88	(3)	31089 Hex HD. screw M6 x 18 CL8.8	C
79	(2)	15578 Hex Head Bolt M10 x 45 (CC.10.9)	C	89	(1)	127111011 Reverse gear spring (N.I.)	LD
79	(2)	231370 Self locking nut M10	C				
80	(2)	16410 Spring Washer M10	C				
81	(2)	15252 Hex Nut M10	C				
81	(2)	231370 Self Braking nut W/O	C				
82	(3)	B003155 Lock plate	C				
83	(1)	587688 Propeller shaft LHS	C				
84	(1)	587686 Propeller shaft RHS	C				
85	(2)	113099 Pivot	C				

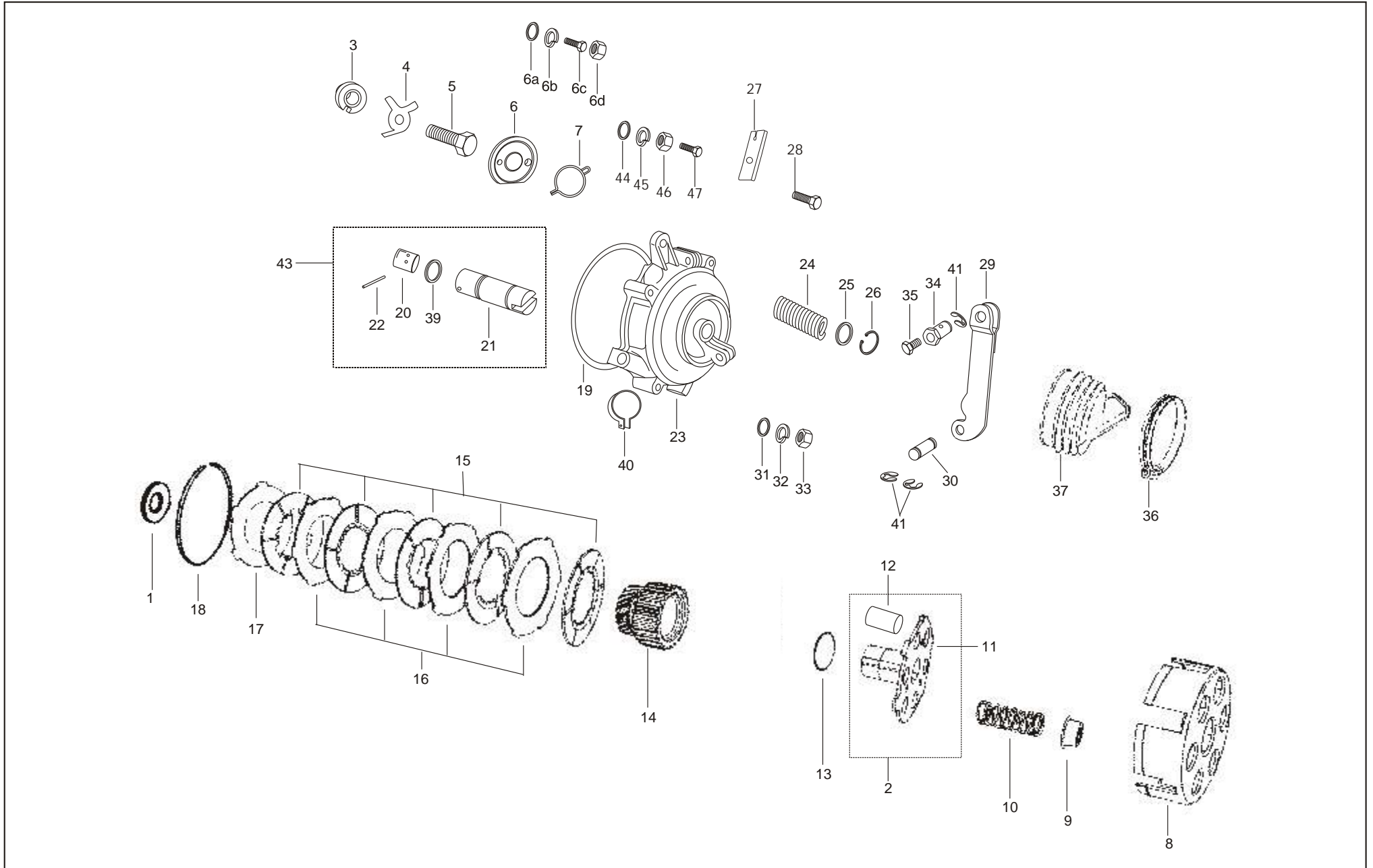


PLATE – XV

CLUTCH AND CLUTCH COVER

1	(1)	652524 Spacer Washer-Clutch	C	7	(1)	129015015 Spring Clip	F,B,LD	15	(5)	127530011 Driven Plate Assy.	F,B,LD
1	(1)	652124 Spacer Washer-Clutch	F,B,LD	8	(1)	127753015 Clutch Box	C	16	(4)	127701012 Driving Plate	C
2	(1)	127740018 Clutch Shaft Assy. (Improved)	F,B,LD	8	(1)	127691011 Clutch Box (VE)	F,B,LD	16	(4)	127692015 Driving Plate thk 2.0mm	C
3	(1)	129011019 Washer for Clutch Assy.	F,B,LD	9	(6)	127757011 Cup Clutch Spring	F,B,LD	17	(1)	127721012 Pressure Plate Outer	C
4	(1)	129012013 Tab Washer	F,B,LD	10	(6)	127755013 Spring Clutch	F,B,LD	17	(1)	127693019 Pressure Plate Outer (VE)	F,B,LD
5	(1)	E47177007 Bolt Clutch	C	11	(1)	652112 Clutch Shaft	F,B,LD	18	(1)	127754019 Circlip - Clutch Box	F,B,LD
6	(1)	129019011 Thrust Plate (sintered) (41928)	F,B,LD	12	(1)	127741012 Bush Sintered- Clutch Shaft (Improved)	F,B,LD	19	(1)	825123207 O Ring (Clutch Cover)	F,B,LD
6	(1)	129014011 Thrust Plate	F,B,LD	13	(1)	127752011 Shim; Brass	C	20	(1)	120159014 Plunger	F,B,LD
6a	(1)	16406 Spring washer M6	C	13	(1)	127758015 Shim; Brass	F,B,LD	21	(1)	127182010 Plunger Shaft Assy.	F,B,LD
6b	(1)	20106 Hex nut M6	C	14	(1)	127759019 Engine gear (Mantano)	F,B,LD	22	(1)	822031942 Spring Pin (pinion speedo drive) (3x19)	F,B,LD
6c	(1)	567741 Hex half screw M5 x 18 (81157824)	C	14	(1)	127303511 Engine gear (VE)	F,B,LD	23	(1)	127793015 Clutch cover assy.	F,B,LD
6d	(1)	3056 Plain washer	C	15	(5)	127780018 Driven Plate Assy.(Mantano)	C	23	(1)	127794019 Clutch cover (Improved)	F,B,LD

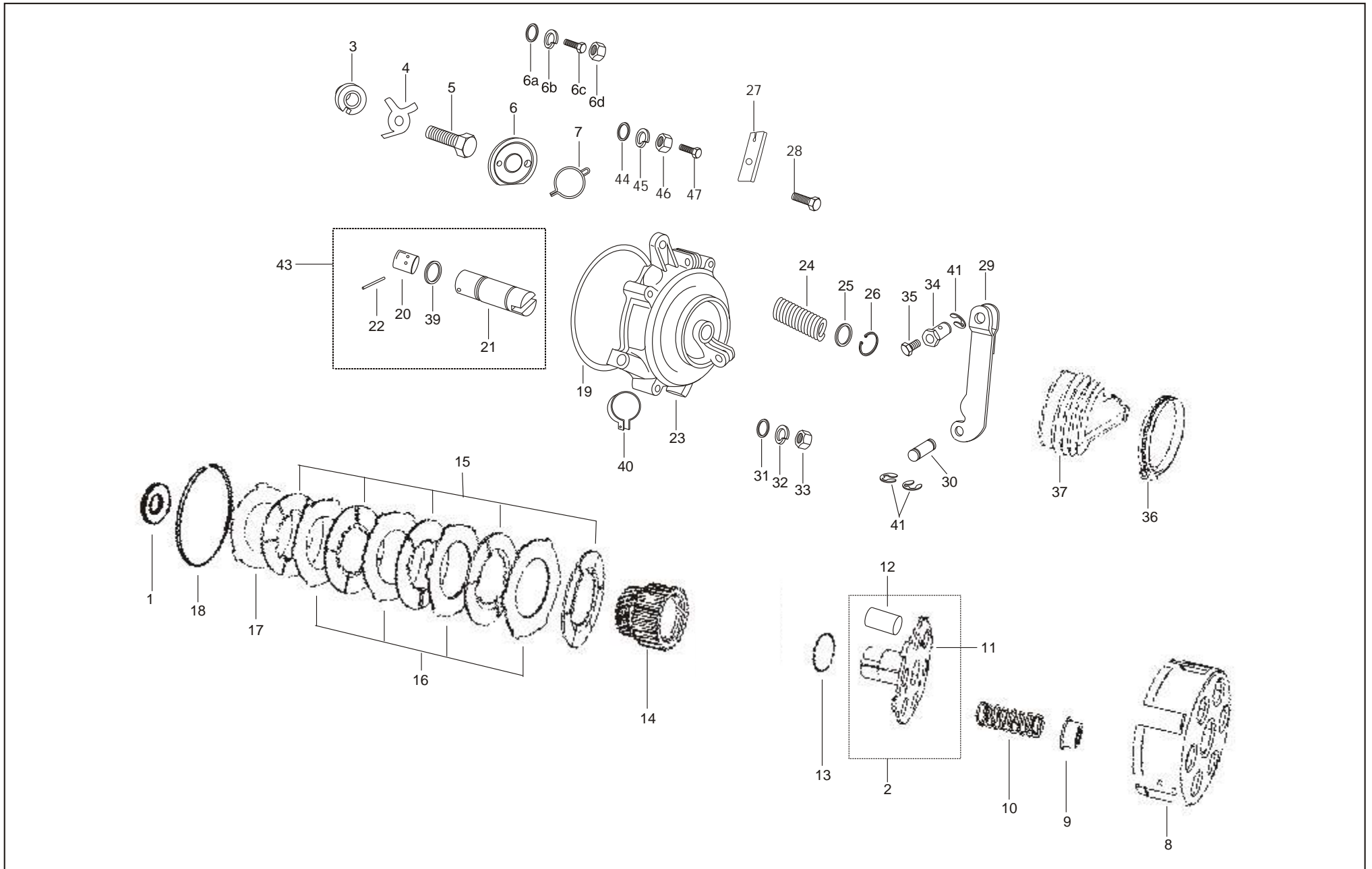


PLATE – XV

CLUTCH AND CLUTCH COVER

24	(1)	127185012 Spring Clutch cover	F,B,LD	36	(1)	120170018 Hose Clip Bellow Clutch Cover	F,B,LD	47	(1)	31092 Hex hd screw M6 x 25 CL18.8 (811062524)	C
25	(1)	120164019 Retaining Plate	F,B,LD	37	(1)	127012019 Bellow Clutch Actuating	F,B,LD				
26	(1)	842001600 Circlip Dia 16 (Ext)	F,B,LD	38	(1)	121131019 Ring Clutch Box (N.I.)	C				
27	(1)	127471019 Bkt. Clutch cable guide	C	39	(1)	825120308 O Ring (Plunger Shaft)	F,B,LD				
28	(1)	31092 Hex Screw	C	40	(1)	127471019 Bracket Clutch Cable Guide	F,B,LD				
29	(1)	127460010 Link Assy clutch (Improved)	F,B,LD	41	(3)	843000809 Circlip Dia 8 (Ext) Type C	F,B,LD				
30	(1)	127013013 Pin Clutch	F,B,LD	42	(1)	127730013 Clutch Assy. Complete Improved (N.I.)	F,B,LD				
31	(4)	3056 Plain Washer M6	C	42	(1)	B002658 Clutch Assy. Complete Improved (N.I.)	F,B,LD				
32	(4)	16406 Spring Washer M6	C	43	(1)	127290013 Plunger shaft assy.	F,B,LD				
33	(4)	20106 Hex Nut M6	C	44	(1)	3056 Plain Washer	C				
34	(1)	120237012 Screw Terminal	F,B,LD	45	(1)	16406 Spring washer	C				
35	(1)	120238016 Bolt for Screw Terminal	F,B,LD	46	(1)	20106 Hex Nut	C				

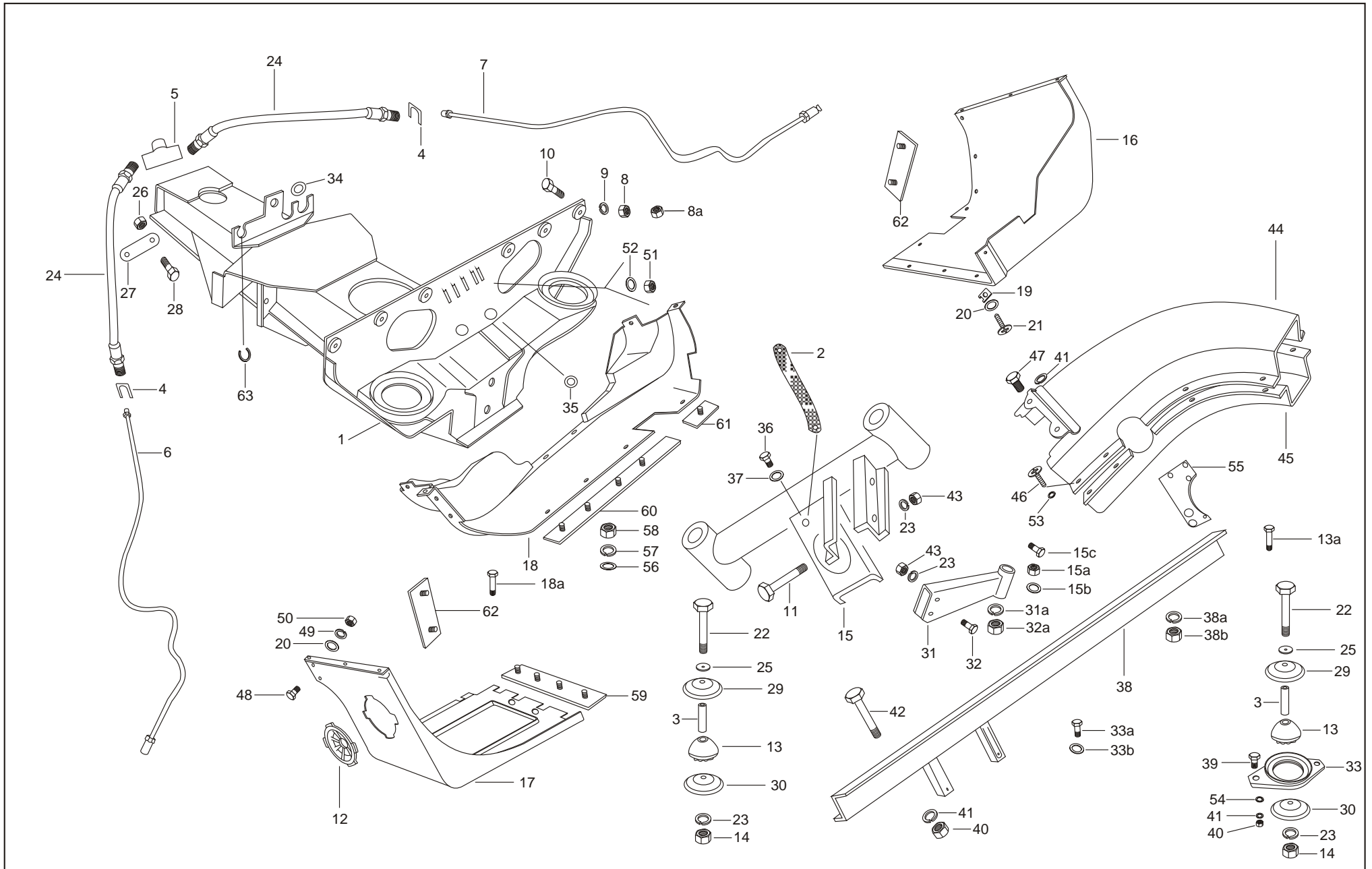


PLATE – XVI

ENGINE SUPPORT

1	(1)	587576	C	8	(6)	20108	C	15	(1)	569093	C
		Frame Assy. Suspension & Engine Support				Hex Nut M8				Engine Elastic Support (Cross Member Mtg. Eng. Sub. Assy.)	
2	(1)	604632	C	8	(6)	8000 00820	C	15a	(2)	231370	C
		Earthing Cable (braided type) - modified				Hex Nut M8				Self braking nut M10	
2	(1)	644839	F,B,LD	8a	(2)	15235	C	15b	(2)	286328	C
		Earth Cable (VE)				Nyloc nut M10 (161157015)				Plain washer 20 x 10 x 2.2	
3	(3)	569241	C	9	(6)	16408	C	15c	(2)	568689	C
		Spacer				Spring Washer M8				Hex HD Bolt M10 x 100 CC10.9	
4	(3)	136916	F,B,LD	9	(6)	809000847	C	18	(1)	B001186	F,B,LD
		Plate for Retaining Brake flex pipe				Spring Washer-M8				Engine Cover	
5	(1)	643692	C	10	(6)	31119	C	18	(1)	569182	F,B,LD
		Three way Connector (Union)				Hex HD Screw M8 x 25 (811082524)				Engine Cover Assy.	
6	(1)	587620	C	10a	(2)	632247	C	18a	(2)	604606	F,B,LD
		Rear Brake Pipe LH				Hex HD Screw M10 x 30CC 8.8 (N.I.)				Hex HD screw M5 x 20 CL8.8	
6	(1)	652424	C	11	(2)	604948	C	19	(3)	568738	C
		Rear Brake Pipe LH (VE)				Hex hdd bolt M8 X 110 with pointing				Plate for Screw	
6	(1)	644813	C	12	(1)	567587	C	20	(3)	3055	C
		Brake - Pump tube of left RR Wheel (VE)				Element for Air Intake				Plain Washer M5	
7	(1)	587622	C	13	(3)	265091	C	20	(3)	6078	C
		Rear Brake Pipe RH				Dumper engine mounting				Plain washer 12 x 5.2 x 1	
7	(1)	652425	C	13a	(1)	272178	C	21	(6)	15911	F,B,LD
		Bandy tube RH				Hex HD bolt M8 x 122 CC10.9				Self Tapping Screw 8SGx16 AB	
7	(1)	644812	C	14	(3)	15335	C	22	(2)	604948	C
		Brake - pump tube of RR wheel (VE)				Hex HD Nut M8 x 8thick				Hex Hdd Bolt M8 x 110 with pointing	

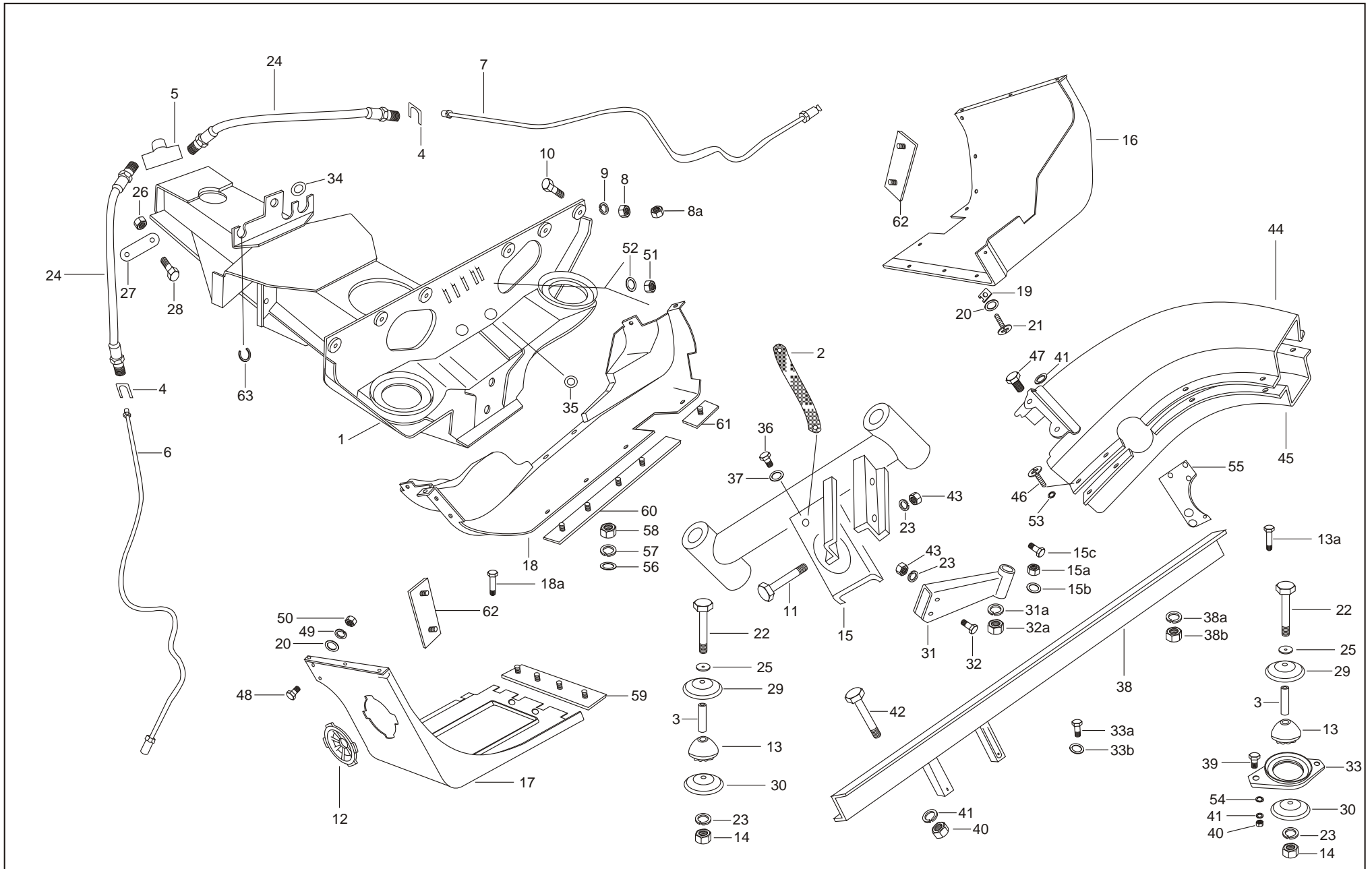


PLATE – XVI

ENGINE SUPPORT

23	(3)	16408 Spring Washer M8	C	32	(2)	15578 Hex HD Bolt M10 x 45 CC:10.9	C	38	(1)	B001648 Cross member Eng. Support rear S/A-Pass	BSIII
23	(7)	15252 Spring Washer M10	C	32a	(2)	20110 Hex HD m10	C	38	(1)	643710 Cross Member (VE) RR	C
24	(2)	587621 Brake hose rear, flexibale pipe	C	33	(1)	567524 Rear Rubber Bumper Support bkt.	F,B,LD	38	(1)	661541 Cross member rear	F,B,LD
24	(2)	587624 Brake hose front, flexibale pipe	C	33a	(2)	31154 Hex HD Screw M10 x 22 CC8.8	F,B,LD	38a	(2)	16408 Spring washer M8	C
25	(4)	2383 Plain Washer M18 x 10.5 x 2	C	33b	(6)	286328 Plain washer 20 x 10 x 2.2	C	38b	(2)	20108 Nut Hex M8	C
26	(2)	15235 Nylock Nut M10	C	34	(1)	178610 Grommet	C	39	(2)	31118 Hex HD Screw M8 x 20	C
27	(2)	108834 Earthing Plate	C	35	(2)	15478 Grommet	C	40	(4)	20108 Hex	C
28	(2)	31159 Hex HDD Screw M10 x 35 CC:8.8	C	36	(3)	811081623 Hex Head Screw M8 x 16	C	41	(6)	16410 Spring Washer M10	C
29	(1)	56937 Plate	C	36	(3)	31116 Hex Head Screw M8 x 16	C	42	(2)	568260 Hex HDD Bolt M8 x 160 CL8.8	C
30	(3)	569244 Plate	C	37	(1)	3058 Washer 15x8.4x1.5	C	43	(4)	15252 Hex Nut M10	C
31	(1)	587533 Support Arm Engine Rear Sub Assy with IP	C	38	(1)	661573 Cross Member - Cargo (Eng. support Rear Sub. assy.)	BSIII	47	(2)	31116 Hex Head Screw M8 x 16 CC.8.8	C
31a	(2)	16410 Spring washer M10	C					48	(2)	31058 Hex HD Crew M5 x 16 CC.8.8	C

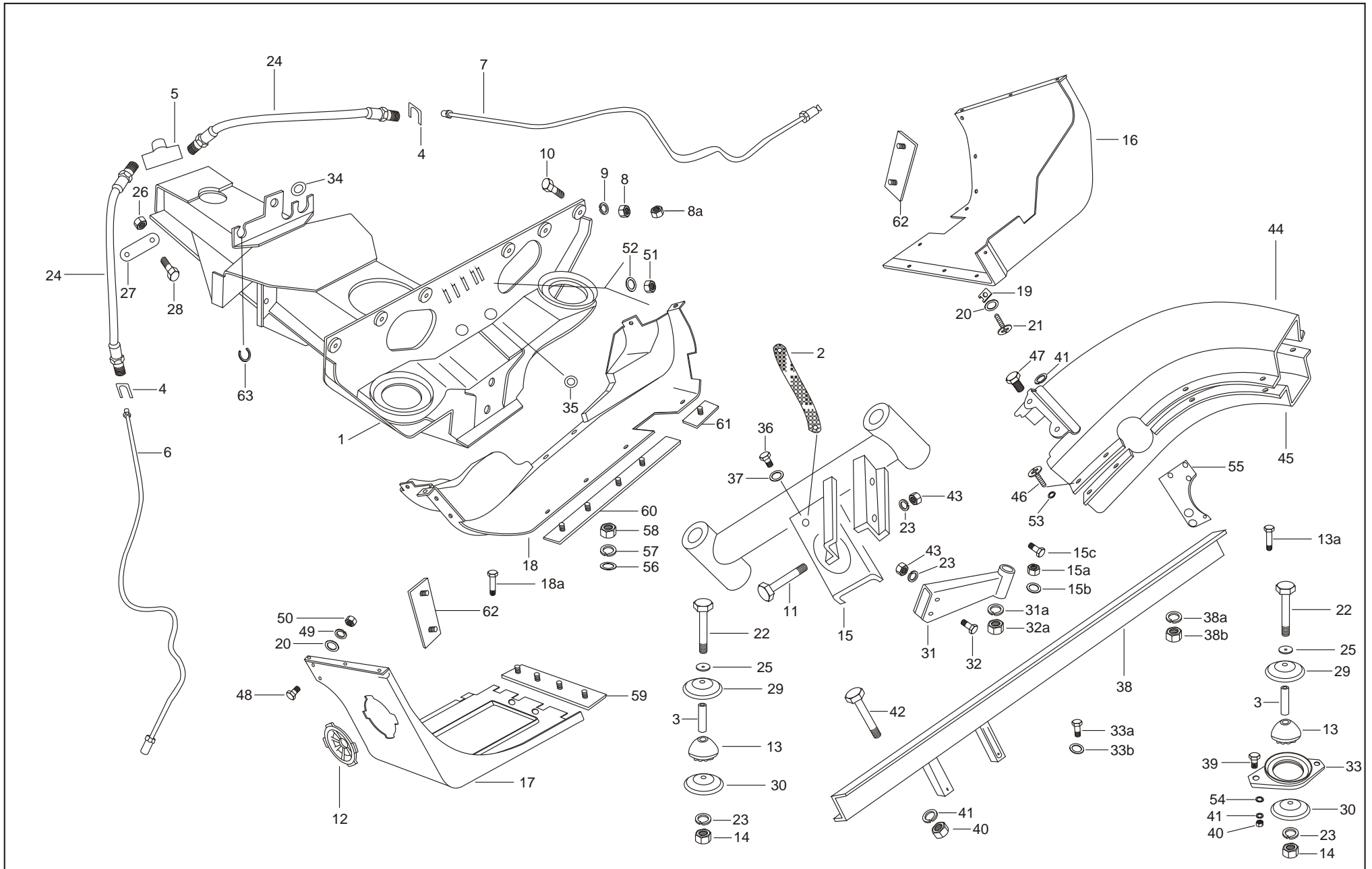


PLATE – XVI

ENGINE SUPPORT

49	(2)	809000548 Spring Washer M5	C	58	(12)	80000521 Nut M5	C
49	(2)	16405 Spring Washer M5	C	59	(1)	568173 Engine Cover mtg. Plate Assy. Central	C
50	(2)	20105 Hex Nut M5	C	60	(1)	568174 Engine Cover mtg. Plate Assy. Front LH	C
51	(2)	20105 Nut (4st Relay)	C	61	(1)	568175 Engine Cover mtg. Plate Assy. Front RH	C
52	(2)	3055 Plain Washer M5	C	62	(2)	568176 Engine Cover mtg. Plate Assy. Side	C
52	(2)	6078 Plain Washer M5	C	63	(1)	568140 Grommet	C
53	(11)	3055 Washer	C	64	(1)	604516 DC Cable Control Bracket (N.I.)	C
53	(11)	6078 Washer	C	64	(1)	661437 DC Bracket (For Starter Safety Switch)(N.I.)	C
54	(2)	286328 Plain Washer 20 x 10.2 x 2	C	65	(1)	568192 Engine cover Assy (N.I.)	C
56	(12)	16603 Plain Mettalic Washer	F,B,LD				
57	(12)	16405 Spring Washer M5	F,B,LD				
57	(12)	809000548 Spring Washer M5	C				

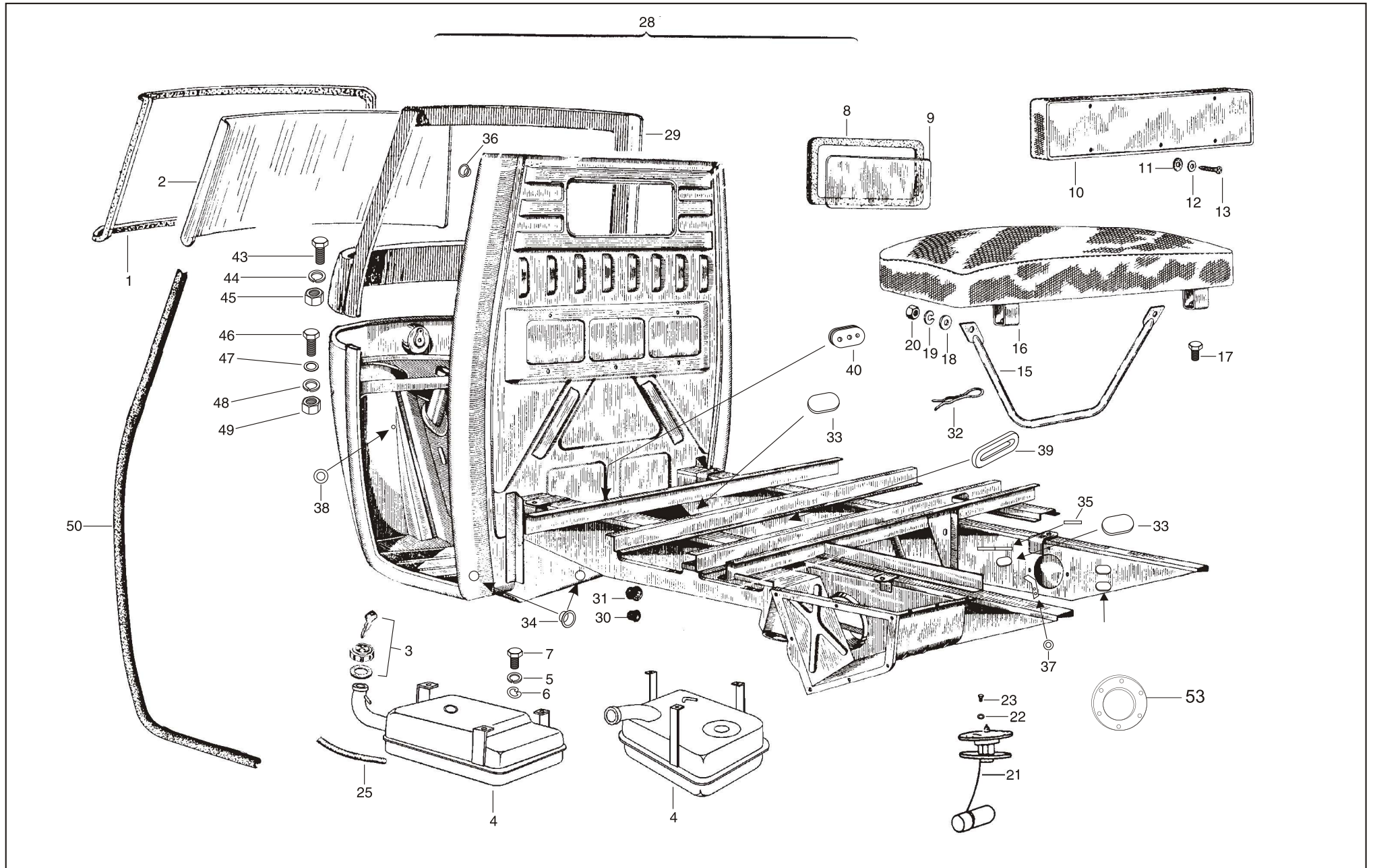


PLATE – XVII

CHASSIS FRAME, FUEL TANK & SEAT

1	(1)	109012 Windshield Packing	C	4	(1)	643714 (ape Pass extra) Fuel Tank Assly. Pass (VE)	F	12	(4)	16603 Plain metallic washer	C
2	(1)	587963 Laminated Windscreen Glass	C	5	(4)	13880 Metalic plain washer	C	13	(4)	604606 Hex hd screw M5 x 20 CL8.8	C
3	(1)	604965 Cap fuel tank lock	C	6	(4)	16406 Spring Washer M6	C	15	(1)	567562 Seat Support Pipe	C
3	(1)	662487 Fuel tank cap lock assy.	C	7	(4)	31088 Hex HD Screw M6 x 16 CL8.8	C	15	(1)	587849 Driver Seat Support Pipe (Passenger)	F
3	(1)	569112 Cap with Lock, Fuel	C	8	(1)	125707 Rear Glass Packing Fixed	B,LD	15	(1)	B001280 Driver Seat Support Pipe (Passenger)	F
3	(1)	613963 Cap assy. fuel tank	C	8	(1)	604761 Packing Sliding Glass Windows	B,LD	16	(1)	604579 Driver Seat Assy. (Passenger)	F
4	(1)	569223 Fuel Tank (cargo)	C	9	(1)	569180 Sliding Glass	B,LD	16	(1)	B001293 Driver Seat Assy. (Passenger)	F
4	(1)	569225 Fuel Tank	F	9	(1)	107952 Glass for Rear Window	B,LD	16	(1)	567563 Driver Seat Assy	C
4	(1)	B001430 Fuel Tank Assy. with Tank Unit	F	10	(1)	568083 Back Seat Driver (Commercial)	B,LD	16	(1)	659940 (extra LD) Driver Seat Assy	C
4	(1)	B003118 Fuel Tank Assy.	F	10	(1)	604580 Driver Back Rest (Passenger)	F	17	(2)	31119 Hex hd. screw M8 x 25 (811082524)	C
4	(1)	643712 Fuel Tank (cargo) (VE)	C	10	(1)	661627 (all varient) Driver Back Rest (Pass) (VE)	C	18	(2)	3058 Plain Washer	C
4	(1)	643714 (ape extra) Fuel Tank Assly. Pass (VE)	F	11	(4)	16405 Spring Washer	C	19	(2)	16408 Spring Washer M8	C

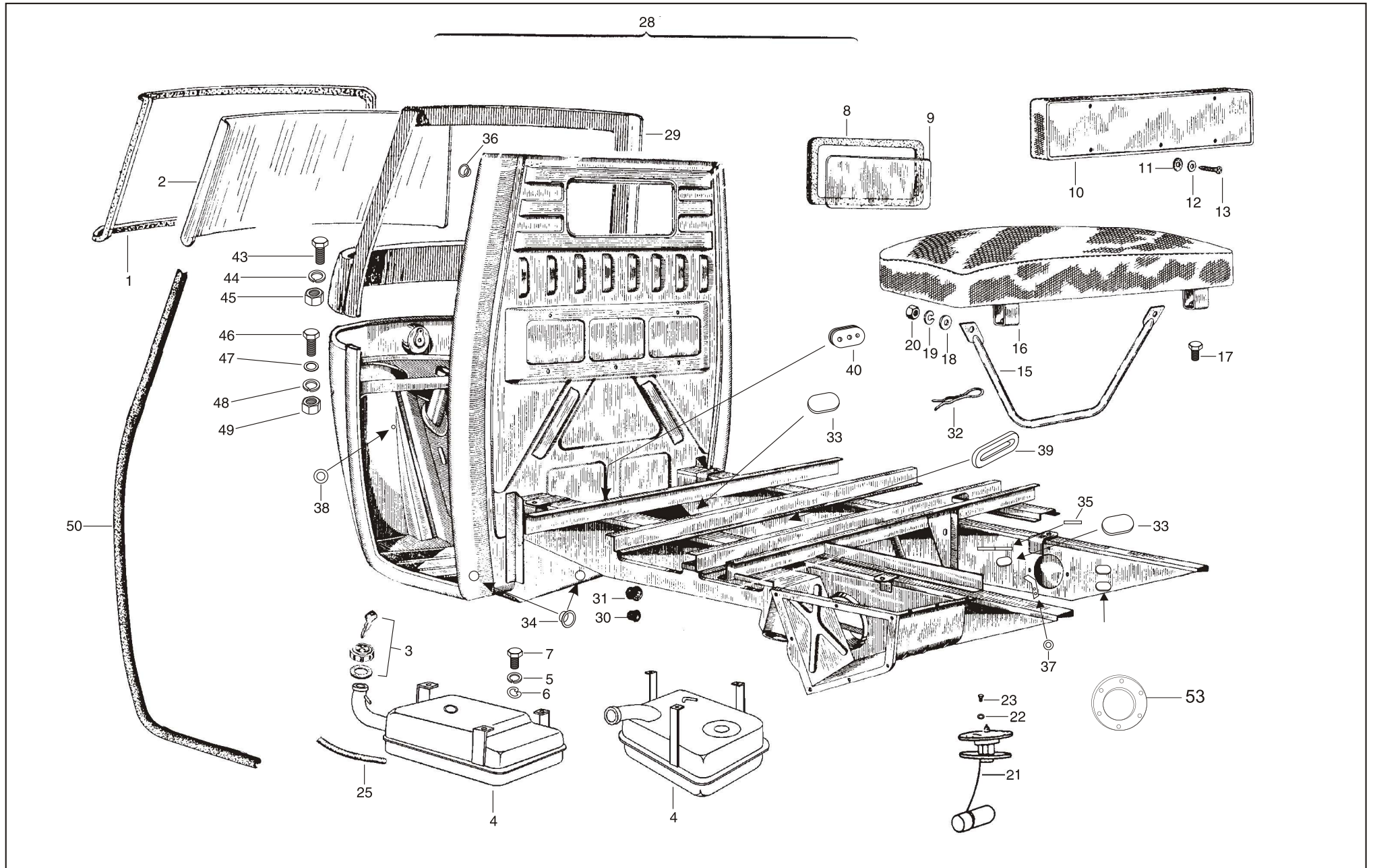


PLATE – XVII

CHASSIS FRAME, FUEL TANK & SEAT

20	(2)	20108 Hex Nut M8	C	28	(1)	B002520PM 3W PU Chas. With Doors-PM (N.I)	B	28	(1)	B002656EG Main frame assy with W/S - Eco Green	
21	(1)	567878 Tank Unit	C	28	(1)	B002520SY 3Pickup Chassis With Doors-SY (N.I)	B	28	(1)	B002660BG Chassis with CAB & Doors comp.- Br. Green	
21	(1)	660859 (All Variet) Tank Unit (MINDA)	C	28	(1)	B002524BG 3W LD Chassis - Brilliant Green (N.I)	LD	28	(1)	B002660EG Chassis with CAB & Doors comp.Eco.Green	
22	(6)	16405 Spring Washer M5 x 10 CC8.8	C	28	(1)	B002524BW 3W LD Chassis - Bianco White (N.I)	LD	29	(1)	632620 Wind screen frame assy	C
23	(6)	31054 Hex hd screw M5 x 10 CC 8.8	C	28	(1)	B002524CB 3W LD Chassis - Charming Blue (N.I)	LD	29	(1)	587891 Windscreen Frame Assy.	F
25	(1)	587763 Breather Pipe	C	28	(1)	B002524GY 3W LD Chassis - Golden Yellow (N.I)	LD	29	(1)	661445 (All Variet) Windshield Assy. with I.P.	C
28	(1)	B002518BY 501Pass upgrade Chassis-Black (N.I)	F	28	(1)	B002524PM 3W LD Chassis - Passion Maroon (N.I)	LD	29	(1)	B001260 Windshield Assy. with I.P.	F
28	(1)	B002518GY 501Pass upgrade Chassis -GY (N.I)	F	28	(1)	B002524SY 3W LD Chassis - Sahara Yellow (N.I)	LD	30	(1)	128009 Capsule	C
28	(1)	B002520BG 3W PU Chassis With Doors - BG (N.I)	B	28	(1)	B002524CO 3W LD Chassis - C. Orange (N.I)	LD	31	(1)	128010 Cap	C
28	(1)	B002520BW 3W PU Chassis With Doors - BW (N.I)	B	28	(1)	B002250 3WH Windscreen Frame assly(CED) (N.I)	B	32	(2)	568682 Fastner	C
28	(1)	B002520CB Pickup Chassis With Doors -CM (N.I)	B	28	(1)	B002551 3WH Windscreen Frame UPGRAD (CED) (N.I)	F	33	(5)	190255 Plug	C
28	(1)	B002520GY 3W PU Chassis With Doors - GY (N.I)	B	28	(1)	B002656BG Main frame assy with windshield - Br. Green		34	(4)	190255 Plug	C

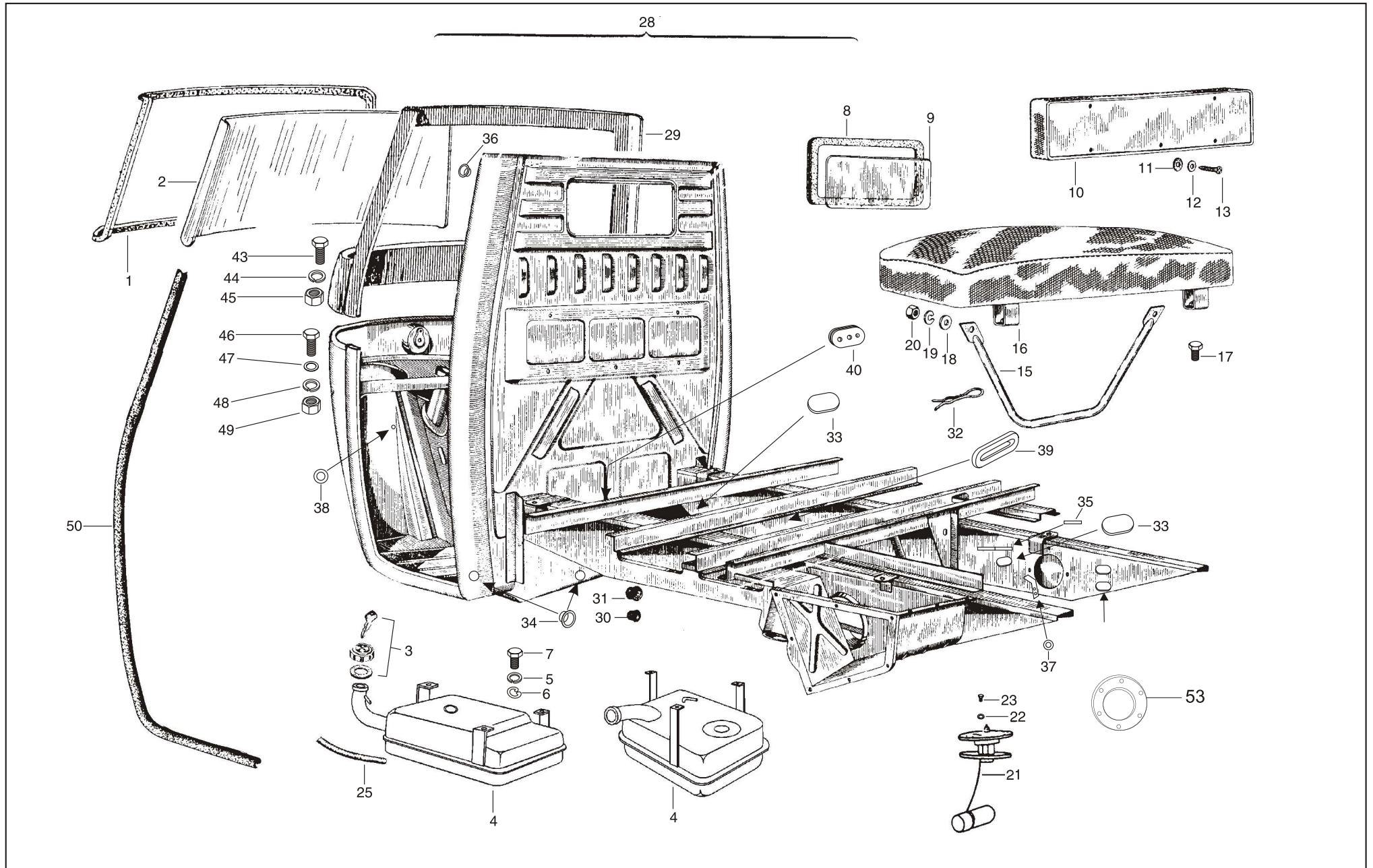


PLATE – XVII

CHASSIS FRAME, FUEL TANK & SEAT

35	(5)	125998 Plug	C	46	(2)	811083525 (30072) Hex hd. screw M8 x 2.5	C
36	(2)	125998 Plug	C	47	(2)	13861 Plain washer 20 x 8.2 x 2.5	C
37	(4)	190517 Plug for Connecting Slot	C	48	(2)	16408 Spring washer M8	C
38	(4)	568131 Plug(Dome D = 21mm)	C	49	(2)	805000605 Nut	C
39	(5)	190568 Plug	B,LD	50	(2)	118447 Windshield Side Packing	C
40	(7)	568717 Plug	B,LD	51	(1)	604591 Hose Clip Diesel O/F (N.I.)	C
41	(1)	568159 Cut Grommet (+ve cable) (N.I.)	C	52	(2)	569333 Rear Sliding Window Ass. (Plastic) Complete (N.I.)	C
41	(1)	105392 Grommet (N.I.)	C	53	(1)	925888 Rubber gasket for tank unit	C
42	(1)	568154 Cut Grommet for Horn (N.I.)	C	53	(1)	920043 Cork gasket for tank unit - RG09-011	C
43	(9)	B001386 Hex HDD Screw M5 x 20	C				
44	(9)	16405 Spring Washer M5	C				
45	(9)	20105 Hex Nut M5	C				

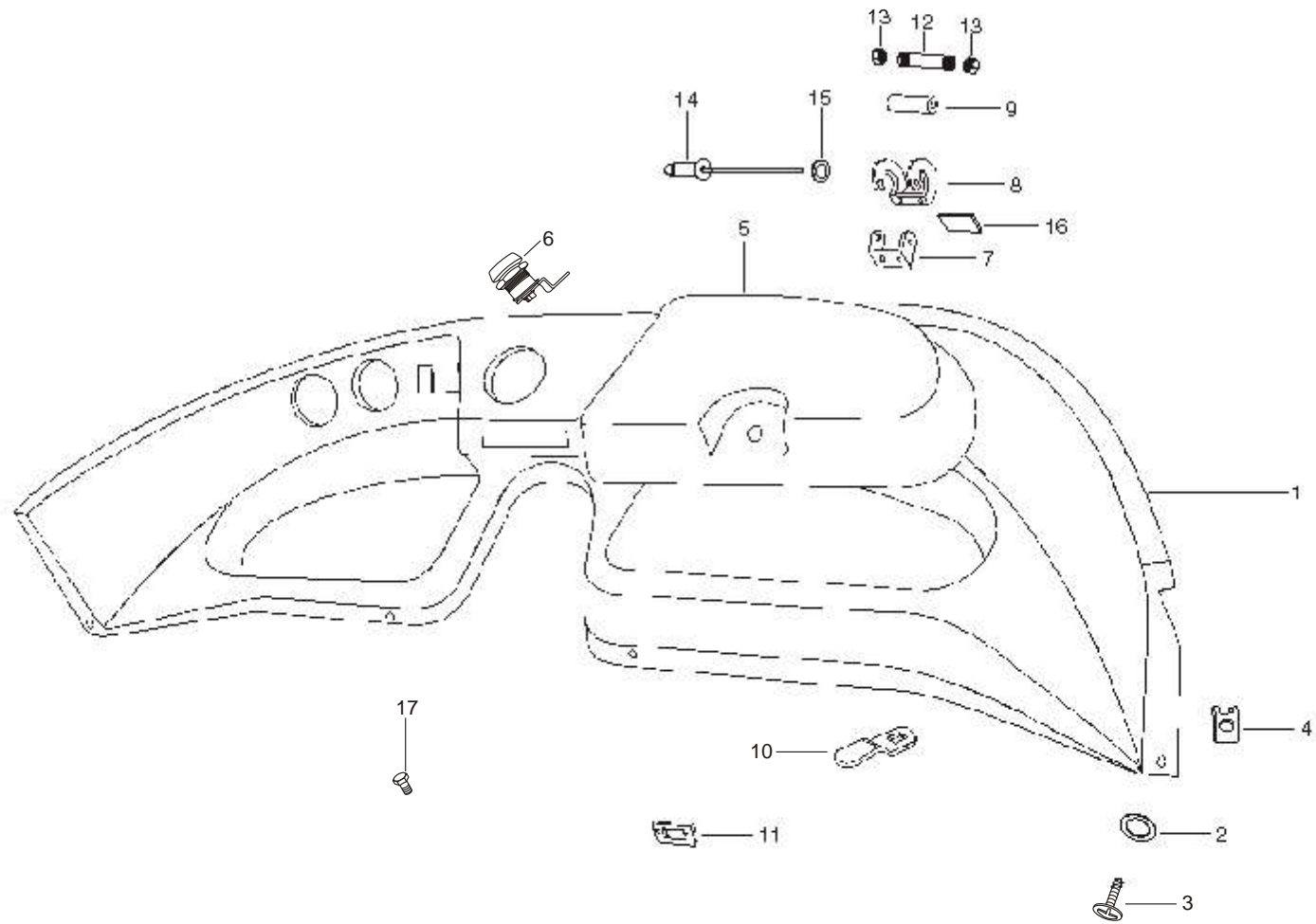


PLATE – XVIII

INNER PARTS OF CABIN

1	(1)	604549 Dash Board	C	9	(1)	587814 Hinge Spacer	C	18	(1)	604684 Reinforcement Glove Box Cover (N.I.)	F,B,LD
1	(1)	660322 Dash board object & instrument holder VE	C	10	(1)	587870 Hook; Trunk Latch	C	19	(4)	568671 Gasket glove box cover (N.I.)	F,B,LD
1	(1)	632447 Dash Board (Hazard Warning) Cargo GSR-400	C	11	(1)	587813 Bolt Lock Plate	F,B,LD	20	(1)	604984 Cap dash board (fuel gange) (N.I.)	F,B,LD
1	(1)	B001497 Dash Board Assy. Cargo	F,B,LD	11	(1)	643691 Bolt Lock Plate	F,B,LD				
2	(4)	16670 Plain Washer 12 x 4.5 x 1	F,B,LD	11	(1)	660168 Self tapping screw	F,B,LD				
3	(4)	15911 Pan self TP screw 8SG x 16AB	F,B,LD	12	(1)	567500 Hinge Pin	C				
4	(4)	8080 Spring Plate	F,B,LD	13	(2)	20104 Hex Nut M4	C				
5	(1)	604548 Cover; Glove Box	F,B,LD	14	(6)	567893 Pop Rivet 4 x 9.5 (1601 0512)	F,B,LD				
6	(1)	587611 Lock Glove Box	F,B,LD	15	(8)	3054 Plain Washer M4 (808000424)	C				
6	(1)	569114 Lock Glove Box W/O Key	F,B,LD	15	(4)	6078 Plain Washer 12 x 5.2 x 1	F,B,LD				
7	(1)	587816 Bracket on Dashboard	C	16	(1)	568165 Packing Strip Glove Box Cover	F,B,LD				
8	(1)	605389 Hinge	F,B,LD	17	(1)	660168 Self tapping screw	C				

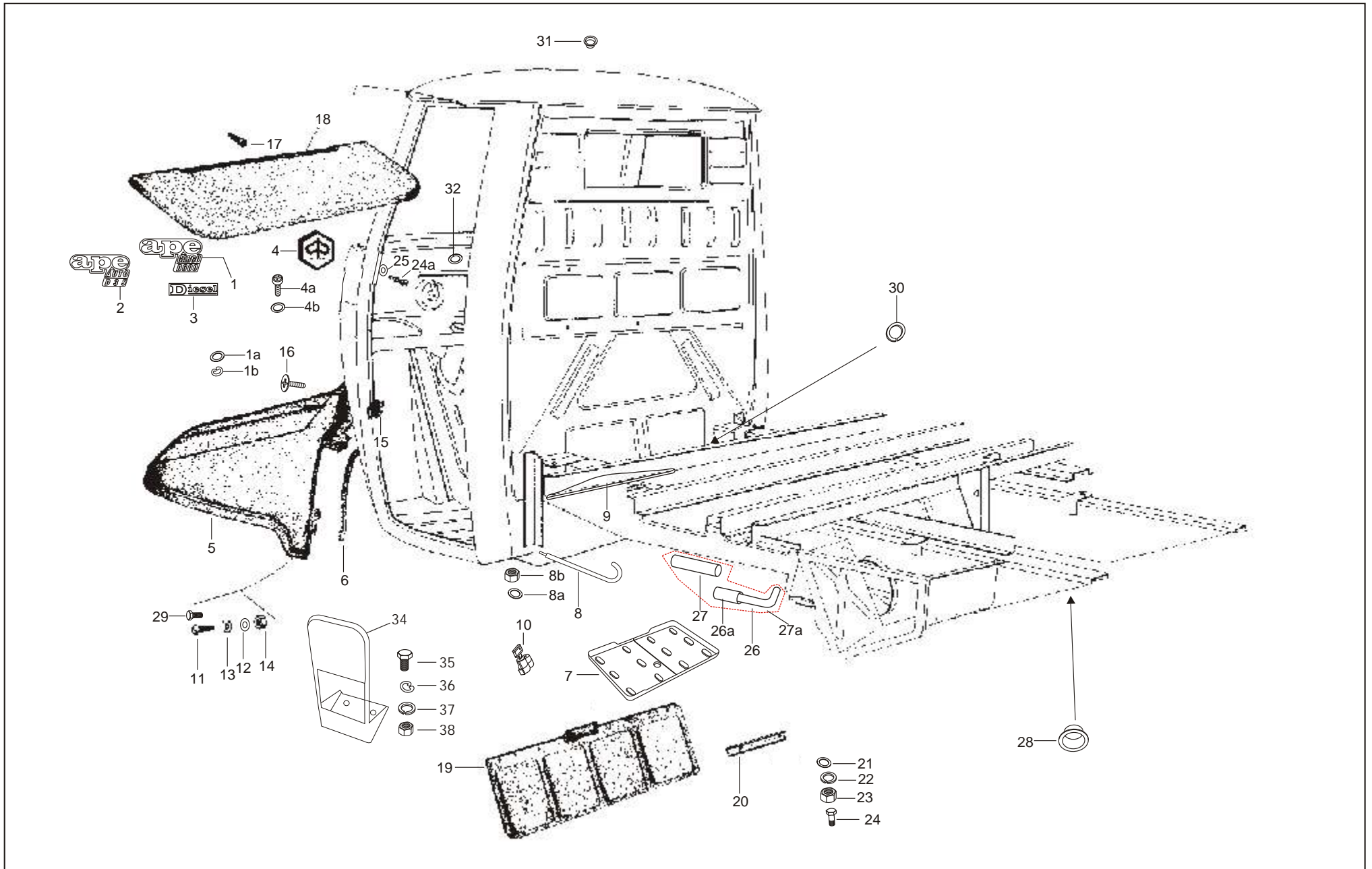


PLATE – XIX

CABIN COMPONENTS

1	(1)	587968 Name Plate Ape Cargo D600	LD	7	(1)	567520 Battery Tray	C	17	(2)	8265 Pan Self Tapping Screw	C
1a	(3)	14034 'O' ring	B,LD	8	(1)	604954 Tension Rod	C	18	(1)	567748 Sun Visor Assy.	C
1b	(3)	568741 Lock washer	B,LD	8a	(1)	3058 Plain washer	C	19	(1)	116103 Mud Flap Front	C
1c	(3)	604972 Pivot gasket ape logo plate (N.I.)	B,LD	8b	(1)	20108 Hex nut M8	C	20	(2)	116105 Clamp Front Mud Guard	C
2	(1)	587969 Ape Auto D3S Name Plate (Pass)	C	9	(1)	604691 Angle Bar Assy.	C	21	(4)	13880 Metalic plain washer	F,B,LD
3	(1)	604789 Diesel Name Plate	C	10	(1)	569111 Lock Spare Wheel and Battery (W/O Key)	C	22	(4)	16406 Spring Washer M6	F,B,LD
4	(1)	587966 Hex Emblem	C	11	(2)	30192 Hex Hdd Screw M6 X 25 CL 8.8	C	23	(4)	20106 Hex Nut M6	F,B,LD
4a	(2)	15727 Pan self tp. screw 4SG x 9.5AB	C	12	(12)	13880 Plain Washer M6	C	24	(4)	31088 Hex HDD Screw M6 x 16CL 8.8 (811061623)	F,B,LD
4b	(2)	13782 Plain washer 8 x 3.2 x 0.5	C	13	(6)	78307 Bent Spring Washer M6	C	24a	(2)	15727 Pan Self Tapping Screw 4SG x 9.5AB	C
5	(1)	183138 Front Mud Guard	F,B,LD	14	(6)	20106 Hex Nut M6	C	25	(2)	3054 Plain washer	C
6	(2)	568702 Gasket Front Mud Guard Top	F,B,LD	15	(3)	157716 Screw Anchor	C	26	(1)	604953 Tension Rod	C
6	(2)	568703 Gasket Front Mud Guard Side	F,B,LD	16	(3)	18630 Self Tapping Screw	C	26a	(1)	567515 Register	C

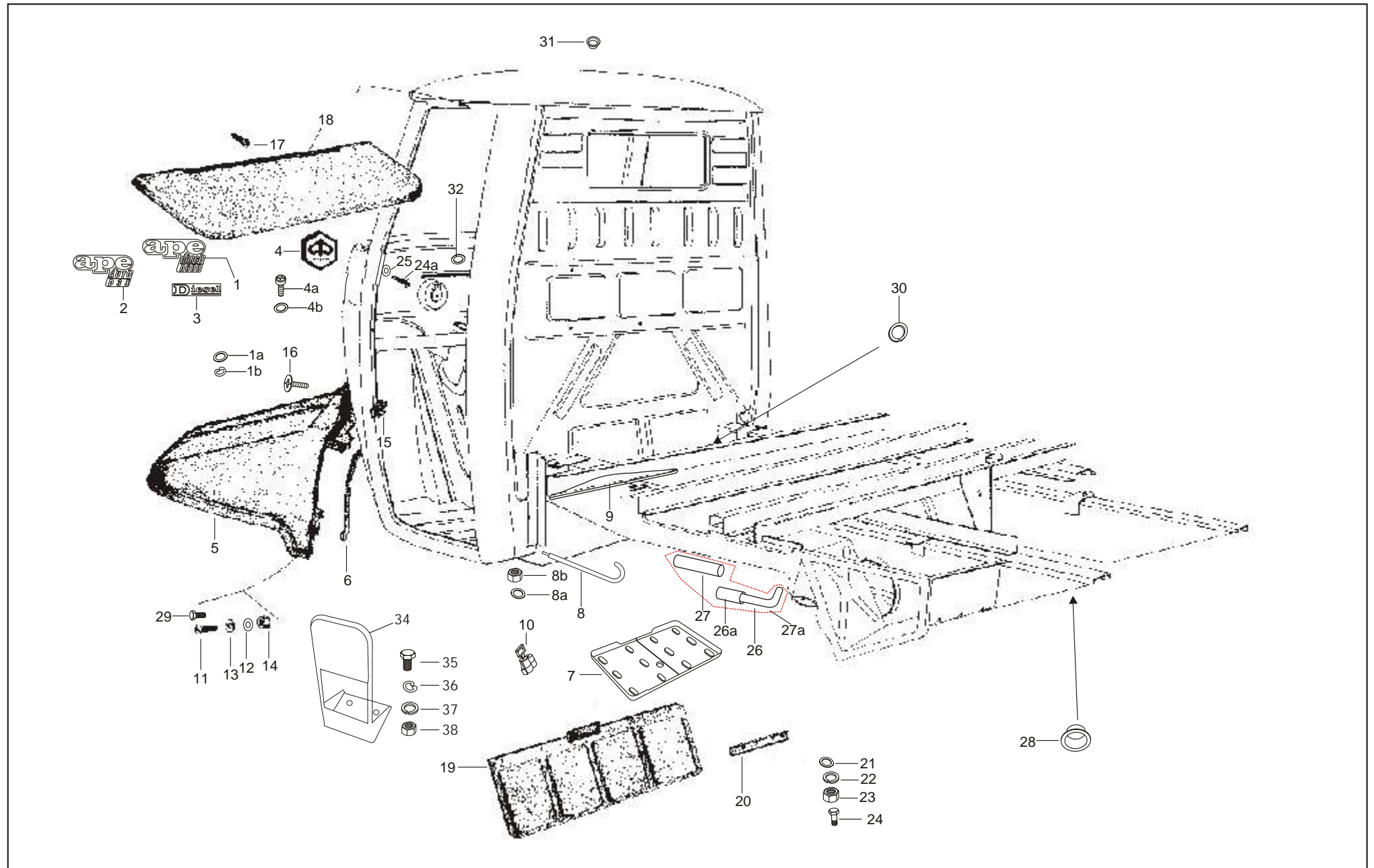


PLATE – XIX**CABIN COMPONENTS**

27	(1)	568291 Half tie rod - battery	C	36	(4)	3058 Plain Washer 15 X 8.4 X 1.5	C
27a	(1)	632508 Tension rod assy. battery mtg.	C	37	(4)	16408 Spring Washer	C
28	(2)	568131 Plug (DOME D=21 MM)	F,B,LD	38	(4)	20108 Hex. Nut M8	C
29	(4)	31089 Hex HDD Screw M6 x 18 CC 8.8	C				
30	(1)	568159 Cut Grommet (+ve cable)	C				
31	(6)	568288 Plug-cab roof	B,LD				
32	(2)	13782 Plain Washer (emblem securing) (8x3.2x0.5)	C				
33	(2)	660750 Door Sticker (N.I.)	B				
33	(2)	660790 Door Sticker Xtra (Dark Colour) (N.I.)	LD				
34	(1)	632134 Protection For Cylinder Valve (CNG)	C				
35	(4)	31118 Screw M8 X 20	C				

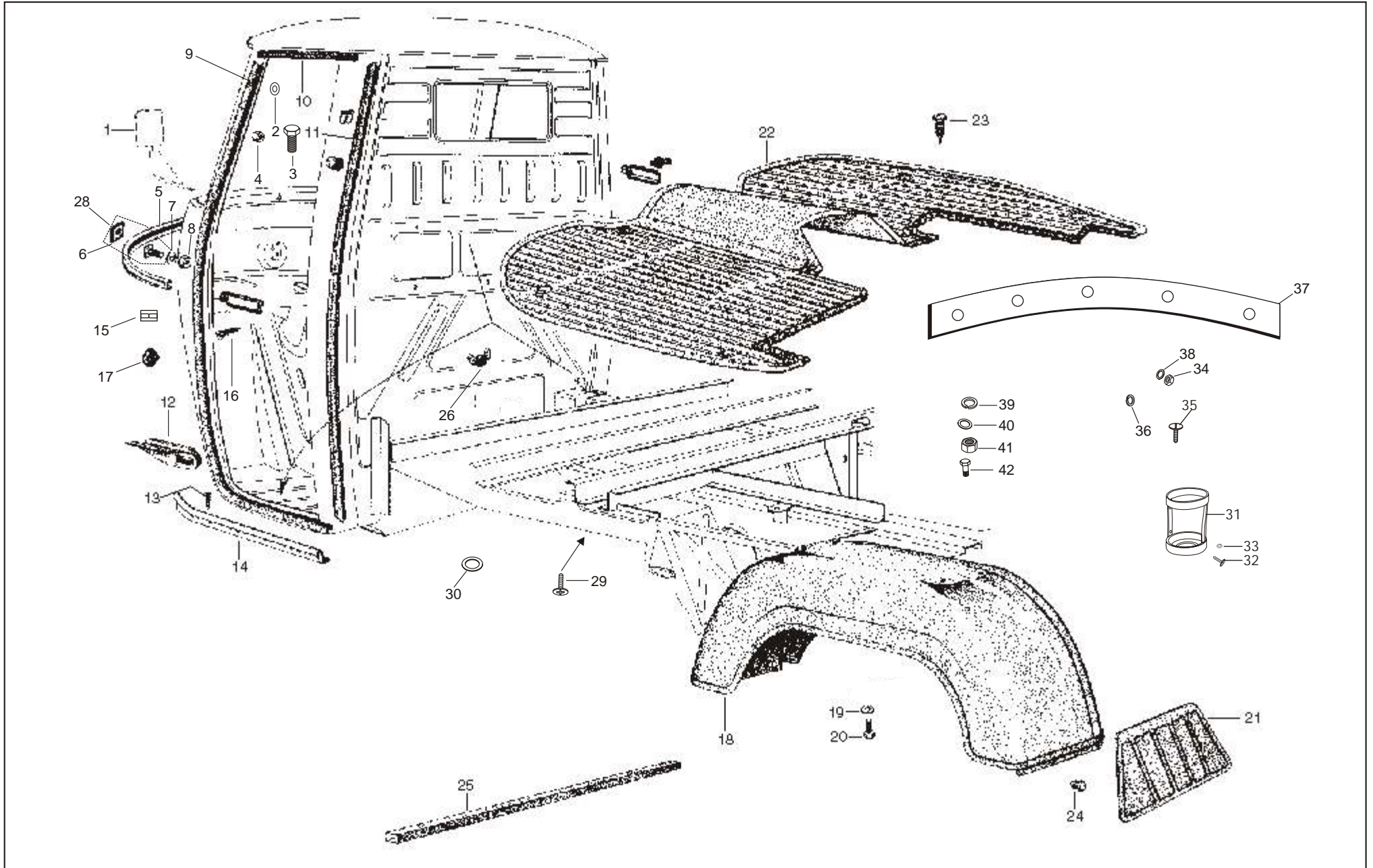


PLATE – XX

RUBBER MAT, REAR MUDGUARD

1	(2)	587614 Rear View Mirror Assy.	C	8	(5)	20104 Hex Nut M4	C	17	(1)	76227 Grommet	F,B,LD
1	(1)	643685 Outer Rear View Mirror LH Assy.	C	9	(1)	193953 Front RH Door Packing	B,LD	18	(1)	182149 Rear Mudguard RH/LH	F,B,LD
1	(1)	643684 Outer Rear View Mirror RH Assy.	C	9	(1)	632604 Front RH Door Packing	B,LD	19	(8)	567592 Washer 16x5x0.5	C
2	(2)	16408 Spring Washer	C	9	(1)	193704 Front LH Door Packing	B,LD	20	(8)	604603 Rivet	C
2	(2)	12540 Spring Washer M8	C	10	(2)	193705 Door Packing Upper	B,LD	21	(1)	142424 Mudflap for Rear Mudguard	C
3	(2)	30072 Hex hd. bolt M8 x 35	C	11	(2)	193707 Door Packing Rear	B,LD	22	(1)	587662 Cabin Mat	C
4	(2)	20108 Hex Nut M8	C	12	(1)	116839 Tow Hook	F,B,LD	23	(4)	414948 Knob Carpet	C
5	(1)	190393 Rim coverage joint	C	13	(6)	8432 Pan Self Tapping Screw	F,B,LD	24	(4)	142425 Button	F,B,LD
5	(1)	14034 'O' ring	C	14	(1)	661634 Protection Guide (LH) -VE	F,B,LD	25	(2)	604724 Gasket	C
5	(2)	15911 Pan self tp screw 8SG x 16 AB	C	14	(1)	661635 Protection Guide (RH) -VE	F,B,LD	26	(1)	569111 Lock for Spare Wheel	C
6	(5)	190462 Plate Assy.	C	15	(2)	190465 Terminal	C	26	(1)	B006593 Wing nut M6	C
7	(5)	3054 Plain Washer M4	C	16	(2)	15911 Terminal Sec.; Screw	C	27	(3)	569186 Rubber Washer (N.I.)	C

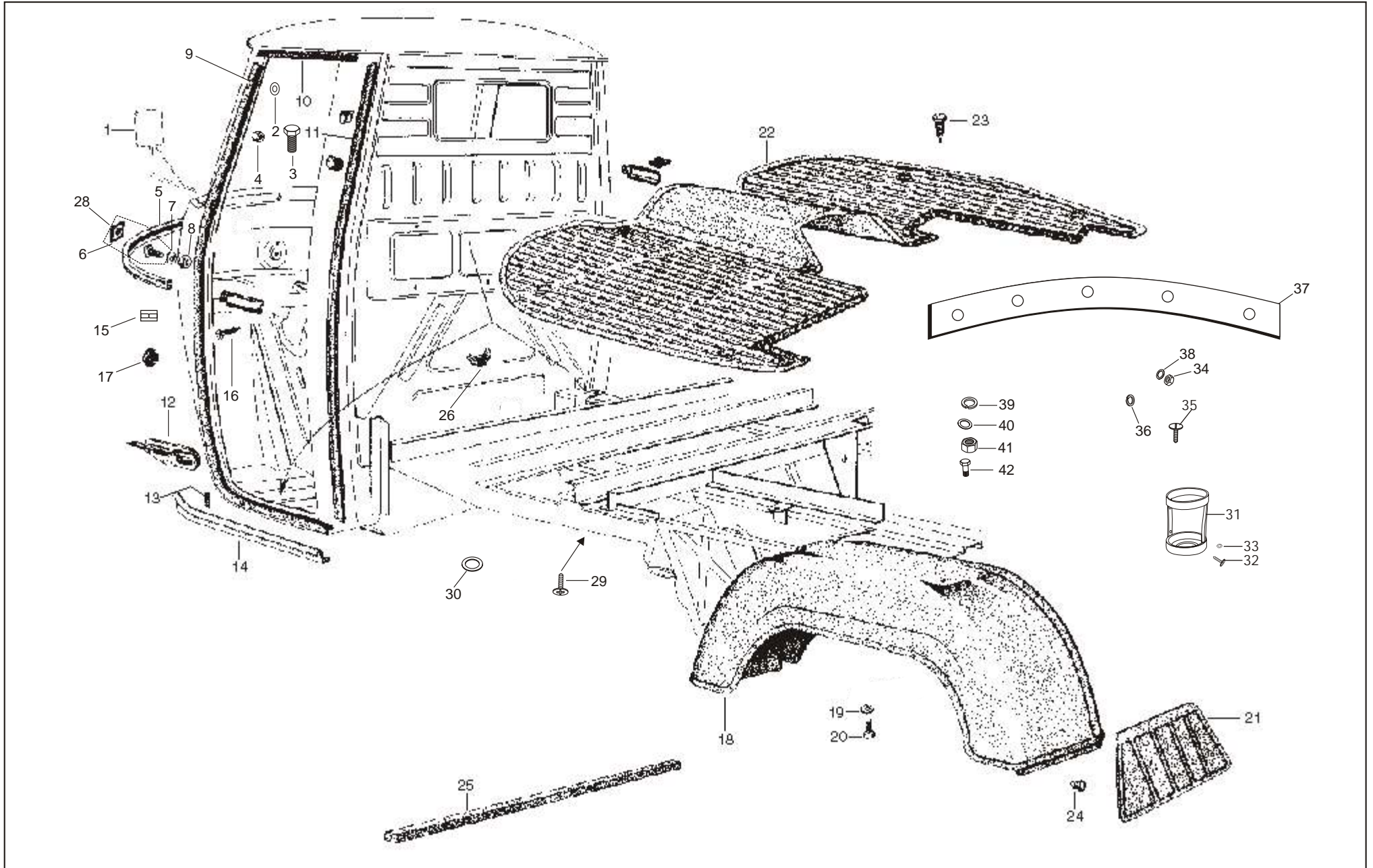


PLATE – XX

RUBBER MAT, REAR MUDGUARD

27	(3)	568741 Lock Washer	C	36	(7)	3055 Plain washer (808000527)	C
27a	(12)	B002199 Packing sound dumper (N.I.)	C	37	(1)	183052 Profile	C
28	(5)	190462 Plate assy.	C	37	(1)	567962 Profile	C
28	(5)	190479 Packing	C	38	(7)	16405 Spring washer	C
29	(1)	8455 Pan Self Tapping Screw	B,LD	39	(2)	12540 Spring washer M8	C
30	(1)	3055 Plain Washer M5	C	40	(2)	13861 Plain washer 20 x 82 x 2.5	C
30	(1)	6078 Plain Washer M51	C	41	(2)	20108 Hex Nut M8	C
31	(1)	645141 Bottle carrier stand	C	42	(2)	30072 Hex head bolt M8 x 35	C
32	(2)	8265 Pan self tp screw 10SG x 13AB	C				
33	(4)	16405 Spring washer M5	C				
34	(7)	20105 Hex nut M5	C				
35	(7)	10022 Hex Screw	C				

PLATE – XXI

DOORS, TOOLS AND WHEELS

1	183077 Upper Packing RH Door Rabbet	C	10	(1)	182663 Block complete of collision door lock LH	C	17	(2)	163659 Lower beading wind glass	C
1	(1) 163660 Upper Packing LH Door Rabbet	C	10	(1)	182662 Block complete of collision door lock RH	C	18	(2)	8808 Spring Pin 2.5 x 14	C
2	(4) 97756 Mettalic Plain Washer	C	11	(2)	569156 CSK Screw M6 x 30 C.L. 8.8-in block	C	19	(1)	149028 Deflector Closing Lever RH	B,LD
2	(2) 6965 Spring Washer	B, LD	12	(2)	569157 CSK Screw M6 x 40	C	20	(2)	116971 Rubber Grommet	B,LD
3	(2) 5745 Rivet DIA.7mm	B, LD	13	(3)	30242 Slot CHK Screw M5 x 10	C	21	(2)	15727 Pan Self Tapping Screw 4SG x 9.5 AB	F,B,LD
4	(2) 6078 Plain Washer	B, LD	14	(8)	12546 Multitooth Lock Washer M5	C	22	(2)	62961 Main Spring for Lever	B,LD
5	(1) 108800 Upper Clamp of right air deflector	B, LD	15	(1)	182660 Complete Lock of RH Door	B,LD	23	(2)	182654 Collision for Lever	B,LD
5	(1) 152025 Upper Bracket LH air deflector	B, LD	15	(1)	182661 Complete Lock of LH Door	C	23a	(2)	97756 Metalic plain washer	F,B,LD
6	(2) 163661 Fixed Glass for The Window	B, LD	16	(1)	127540 Handle Grip LH (with key push button)	C	24	(2)	20108 Nylock Nut M5	C
7	(2) 163663 Gasket Window Glass	B, LD	16	(1)	569116 DoorHandle LH (w/o key) Black powder coated	C	25	(2)	64263 Window Friction Washer	C
8	(2) 140603 Security Lock cyl. shim Plate	B, LD	16	(1)	569115 Door Handle RH with push button (w/o key)	C	26	(2)	604558 Pivot for lever for closing doors	B,LD
9	(2) 193724 Plate (Option shim plate)	C	16	(1)	156413 Handle Grip RH (with key push button)	C	27	(4)	108804 Screw with Wide Head (Male)	B,LD

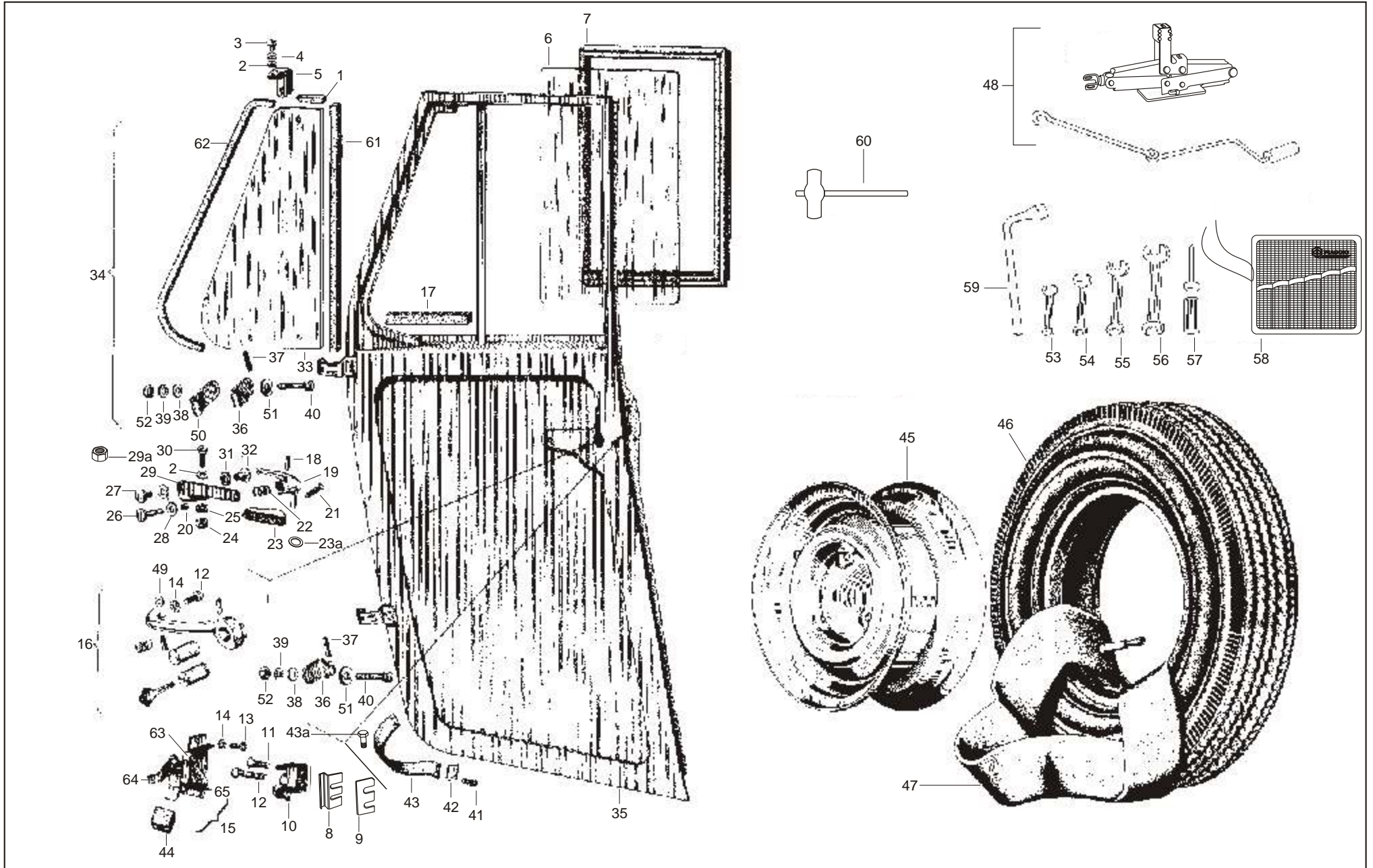


PLATE – XXI

DOORS, TOOLS AND WHEELS

28	(2)	13935 Washer	B,LD	35	(1)	163672 LH Door Assy.	B,LD	43a	(4)	568692 Self tp screw 6SG x 16	C
29	(1)	108801 Lower Bracket LH	B,LD	35	(1)	567895 LH Door-Sub Assy	B,LD	44	(2)	182655 Knob for internal Door Lever	C
29	(1)	109263 Lower Bracket RH	B,LD	35	(1)	567684 RH Door-Sub Assy.	B,LD	45	(1)	644973 Wheel Rim - Assy.(VE)	C
29a	(2)	12136 Nyloc nut M5 (802000525)	F,B,LD	36	(4)	567745 Door Upper Hinge	B,LD	45	(1)	109579 Wheel Rim - Assy.	F,B,LD
30	(2)	31058 Hex HD Screw M5 x 16CC 8.8	F,B,LD	37	(4)	8847 Spring Pin 6x64	B,LD	45	(1)	B003860 Wheel Rim - Assy.	F,B,LD
31	(1)	6177 Plain Washer 16 x 8.5 x 1	B,LD	38	(2)	13812 Metalic palin washer (808001026)	C	46	(1)	587971 Tyre (4.5 x 10-8 pr)	C
32	(2)	108805 Screw with Wide Head (Female)	B,LD	38	(2)	13861 Plain Washer 20x8.2x2.5	C	47	(4)	151924 Inner Tube for Tyre 4.5 x 10	C
32	(2)	604812 Large head screw	B,LD	39	(4)	12540 Spring Washer M8	C	48	(1)	567439 Jack	C
33	(2)	163665 Glass Vent	B,LD	40	()	Bolt	C	49	(2)	6018 Spl. Plain Washer 19.5x1x1	C
34	(1)	163666 RH; Vent Window Assy.	B,LD	41	(8)	8451 Pan Self Tapping Screw	C	49a	(2)	567594 Screw terminal (N.I)	F,B,LD
34	(1)	163667 LH; Vent Window Assy.	B,LD	42	(4)	89281 Block Plate Strap	C	50	(2)	605389 Hinge	C
35	(1)	163671 RH Door Assy	B,LD	43	(2)	568148 Stop Belt For Door	C	51	(2)	140728 Plain Washer 8.5x24x3	F,B,LD

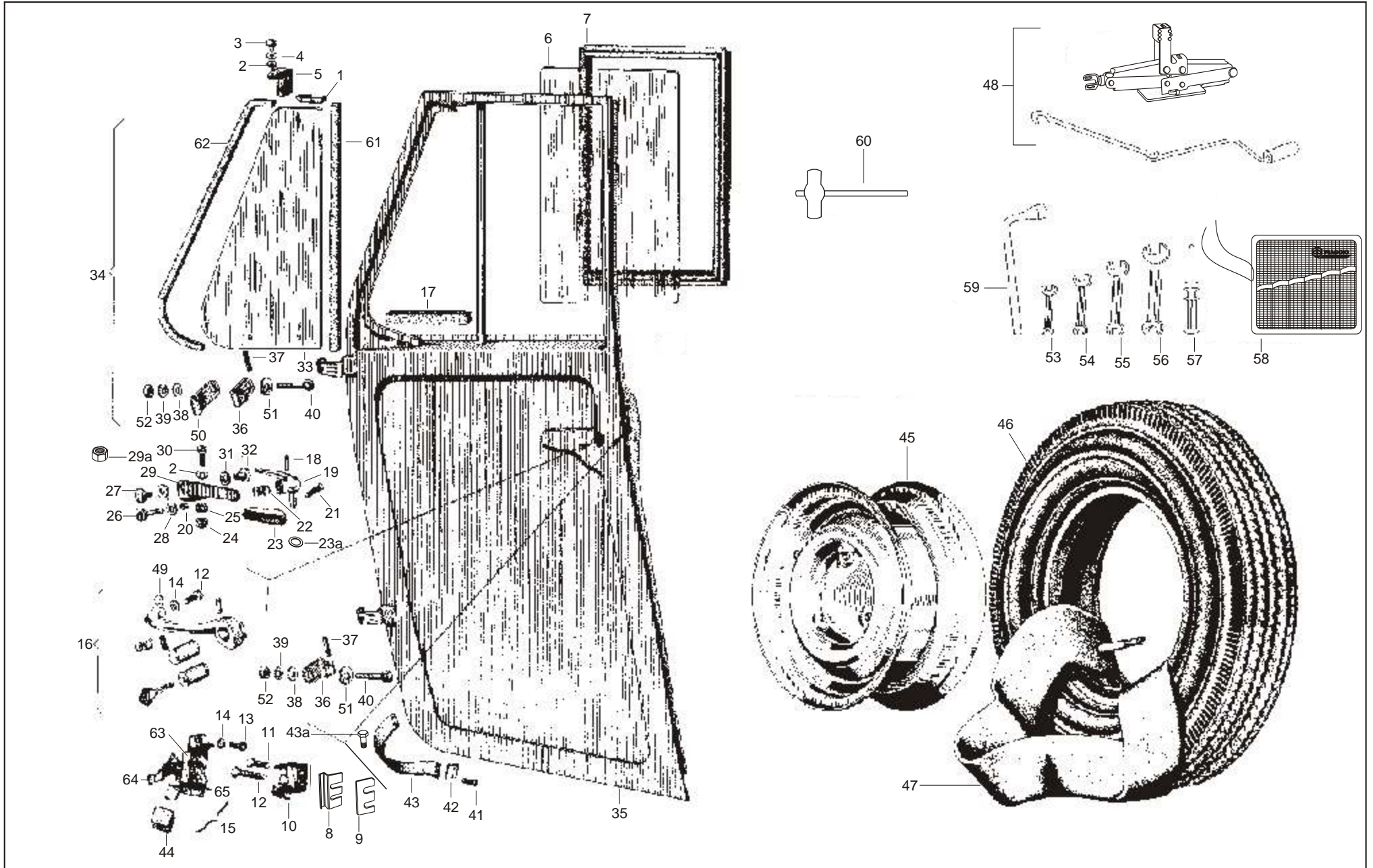


PLATE – XXI

DOORS, TOOLS AND WHEELS

52	(4)	20108 Hex Nut M8	C	63	(1)	604690 Stopper Assy. LH	C	73a	(1)	108358 Pin (N.I.)	C
53	(1)	567454 Double End Spanner 7/8	F,B,LD	64	(1)	108356 Spring for LH Lock	C	74	(1)	567583 Tools Kit (N.I.)	F,B,LD
54	(1)	192009013 D.E. Spanner 10 x 13	C	64	(1)	115531 Spring for RH Lock	F,B,LD	75	(1)	30074 Hex head bolt M8 x 40 cc8.8 (N.I.)	C
55	(1)	567456 D. E. spanner 12 x 14	C	65	(2)	8588 Spring Pin for Lock Pawl	C	76	(2)	660750 Door Sticker (N.I.)	C
56	(1)	567457 D.E. Spanner 17 x 19	F,B,LD	66	(1)	116334 Box for Guide LH Lock (N.I.)	C	77	(2)	666790 Door sticker xtra (N.I.)	C
57	(1)	567458 Screw Driver	F,B,LD	67	(3)	30242 Slot HD Screw M5 x 10 LH door guide box assy. (N.I.)	B,LD				
58	(1)	604707 Tool Bag	F,B,LD	68	(1)	190255 Plug (N.I.)	C				
59	(1)	567459 L Type Spanner-A/F-19	F,B,LD	69	(1)	109121 Lever LH (N.I.) Complete	B,LD				
60	(1)	E500405518 Starting Rope	C	70	(1)	13842 Plain Metallic (N.I.)	B,LD				
61	(2)	163782 Deflector Plate Rubber Rear Gasket	C	71	(2)	107154 Pawl LH / RH (N.I.)	B,LD				
62	(2)	163784 Deflector Plate Rubber Rear Gasket	C	72	(1)	116333 Box for Guide complete of RH door (N.I.)	B,LD				
63	(1)	604689 Stopper Assy. RH	C	73	(1)	109120 Lever complete for RH lock (N.I.)	C				

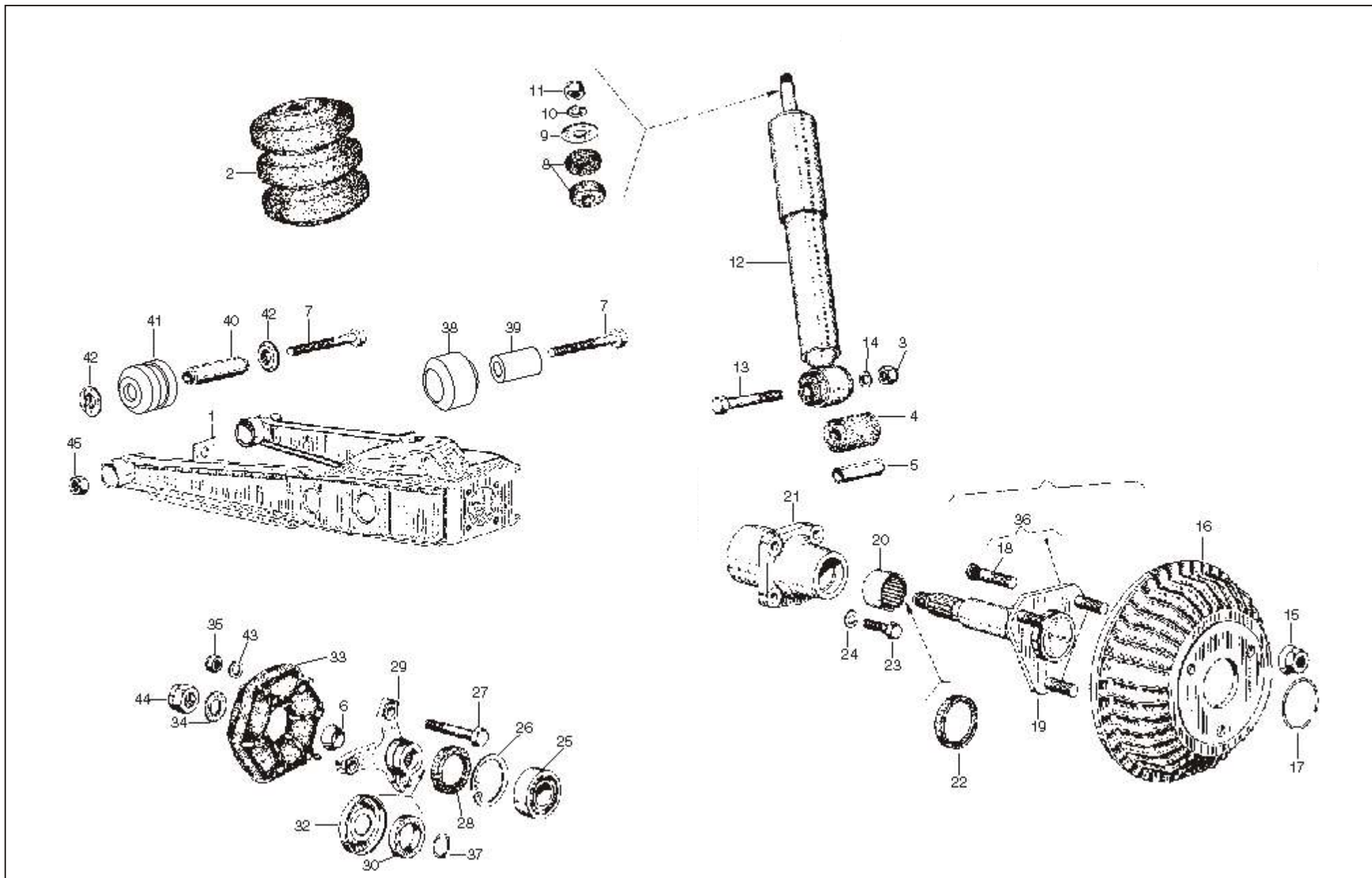


PLATE – XXII

REAR SUSPENSION

1	(1)	568128 Triangle LH Rear Suspension	C	6	(2)	128633 Cone	F,B,LD	17	(2)	107870 Elastic Ring	C
1	(1)	Triangle RH Rear Suspension	C	7	(4)	643741 Hex HDD Bolt M10 x 80 CL 12.9	F,B,LD	18	(3)	108215 Bolt for Axle M12 x 40	C
1	(1)	644897 Arm assy. RT RR Screw with silent block	F,B	8	(4)	74414 Buffer for Coupling Shock Absorber	C	19	(2)	644899 Rear Wheel axle with IP (VE Rim)	C
1	(1)	645223 Arm sun assy. RH rear susp. with silent block	LD	9	(2)	6066 PI Washer 10.5 x 38 x 3	C	20	(2)	128486 Needle Bearing (Rear Wheel Hub)	F,B,LD
1	(1)	644898 Arm assy. LT RR screw with silent block	F,B	10	(2)	16410 Spring Washer M 10	C	21	(2)	136888 Rear Wheel Hub	C
1	(1)	645224 Arm Sub Assly. LH Rear Susp. With Silent bolck	LD	11	(2)	21110 Hex Nut M10 X 1.25p	C	22	(2)	20359 Oil Seal 35-47-7 / seal ring	F,B,LD
2	(2)	568289 Rubber Bumper	F,B	12	(2)	136451 Shock Absorber Rear	C	23	(8)	31159 Hex HD Screw M10 x 35 CL 8.8	F,B,LD
2	(2)	605003 Rubber bumper	LD	13	(2)	267068 Hex Head Bolt M10x60 CL 10.9	C	24	(8)	16410 Spring Washer M10	F,B,LD
3	(2)	231370 Self Braking Nut M10	C	14	(2)	286328 Plain Washer 20x10.2x2	C	25	(2)	243303 Ball Bearing RR Wheel Axle TATA 62/22	C
4	(2)	157103 Bush - Shock Absorber	C	15	(3)	652033 Wheel Nut (VE) M12 x 1.5	C	26	(2)	6650 Circlip Dia 50 (int)	F,B,LD
5	(1)	107827 Spacer	C	15	(3)	660931 Wheel nut (M12 x 1.5)	C	27	(12)	15594 Hex HDD Bolt M10 x 65 CL0.9	F,B,LD
				16	(2)	152580 Brake Drum Ape-501	C	28	(2)	196302 Oil Seal	F,B,LD

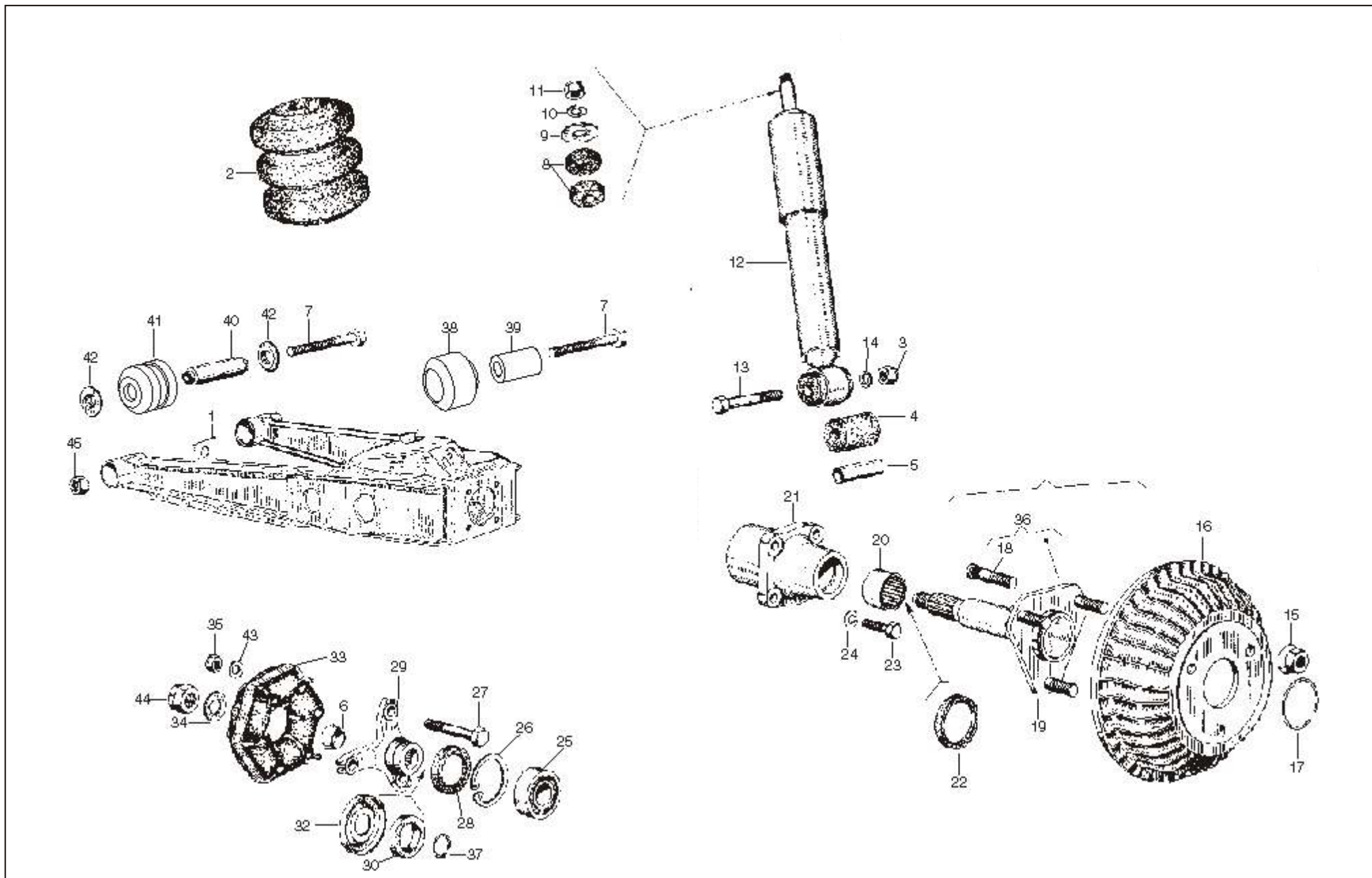


PLATE – XXII**REAR SUSPENSION**

29	(2)	587617 Elastic Joint Connection Hub (With side)	C	40	(2)	569241 Spacer	C
30	(2)	661267 Ring (137051)	C	41	(2)	226596 Ring For Elastic Support	F,B,LD
31	(1)	602120 Rear Brake Back Plate LH (N.I.)	C	42	(4)	267064 Shoulder Washer	C
31	(1)	602123 Rear Back Plate RH (N.I.)	C	43	(12)	237246 Shim Washer 20x10.2x1	C
32	(2)	109892 Protection Cup RR Hub	F,B,LD	44	(2)	136426 Nut with collar	F,B,LD
33	(2)	604535 Flexible Coupling	F,B,LD	45	(4)	231370 Nut Self Breaking M10	C
34	(2)	3068 Plain Washer	F,B,LD				
35	(12)	231370 Self Locking Nut M10	C				
36	(2)	652519 Rear Wheel Axle Assy. (with bolt)	C				
37	(2)	137026 Circlip (Spring ring)	C				
38	(2)	226662 Ring for elastic support	C				
39	(2)	226661 Internal bush	C				

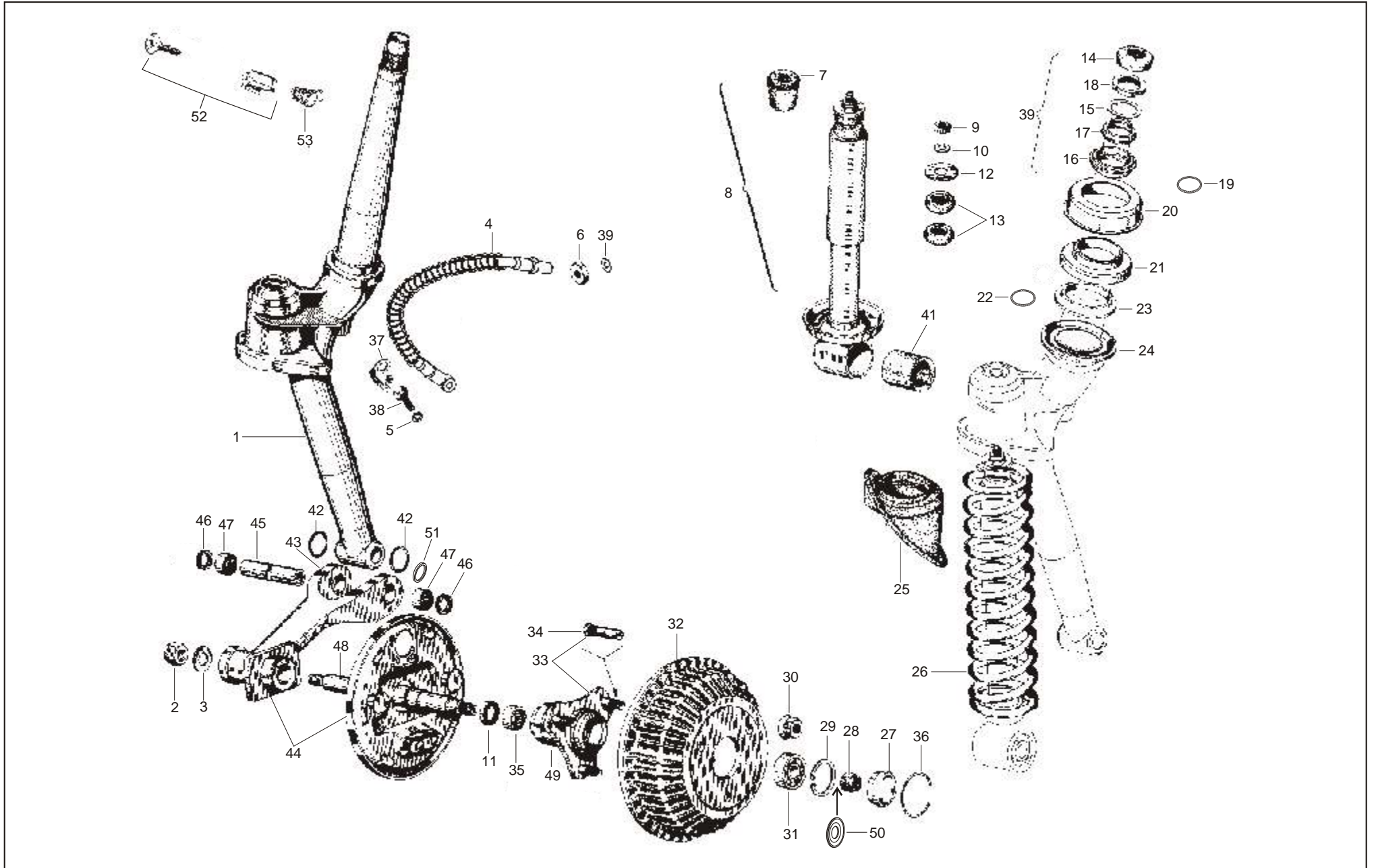


PLATE – XXIII

STEERING COLUMN AND FRONT SUSPENSION

1	(1)	567710 Steering Wheel Shaft Assy	C	8	(1)	632719 Front shock absorber	LD	20	(1)	109064 Dust Cover	C
1	(1)	660153 Steering Column with IP	C	9	(1)	21110 Hex Nut M10 x 1.25 p	C	21	(1)	567992 Bearing Race L/T (TH)	F,B,LD
1	(1)	567720 Steering Column Assy. with Swing Arm	C	10	(1)	16410 Spring Washer M10	C	22	(1)	662422 Solid Oil Ball Cage (Lower) SKF - 7104	F,B,LD
1	(1)	660498 Steering Column (43x7) Complete with susp. arm	F,B	11	(1)	136434 Oil Seal	C	23	(1)	567993 Bearing race L/B (TH)	F,B,LD
1a	(1)	616540 Front suspension assy. (N.I.)	C	12	(1)	6066 Washer 10.5x38x3	C	25	(1)	109265 Dust Cover	F,B,LD
2	(1)	568095 Nylock Nut (EX-6844)	C	13	(2)	74414 Buffer for Coupling Shock Absorber	C	26	(1)	569255 Front Suspension Spring	F,B
3	(1)	87067 Plain Washer 30.5x14.3x2	C	14	(1)	604758 Protection	C	26	(1)	616931 Front suspension spring	LD
4	(1)	587624 Front Brake Hose Flexible Pipe	C	15	(1)	108873 Washer For Holding upper brg. of stg	C	27	(1)	107871 Cap	C
5	(2)	127927 Packing	C	16	(1)	567990 Bearing race U/B (TH)	F,B,LD	28	(1)	74521 Nut M14 x 1.5	F,B,LD
6	(4)	21216 Hex Nut M16 x 1.5	F,B,LD	17	(1)	567991 Bearing race U/T (TH)	C	29	(1)	567473 Circlip dia 42 int (841004203)	C
7	(1)	75708 Silent Block	C	18	(1)	108874 Securing Ring Nut	C	30	(3)	108213 wheel nut (VE) M12 x 1.5	C
8	(1)	569246 Front Shock Absorber	F,B	19	(1)	662423 Solid Oil Ball Cage (Upper) SKF-7105	F,B,LD	31	(1)	30209 Ball Bearing 6302	C

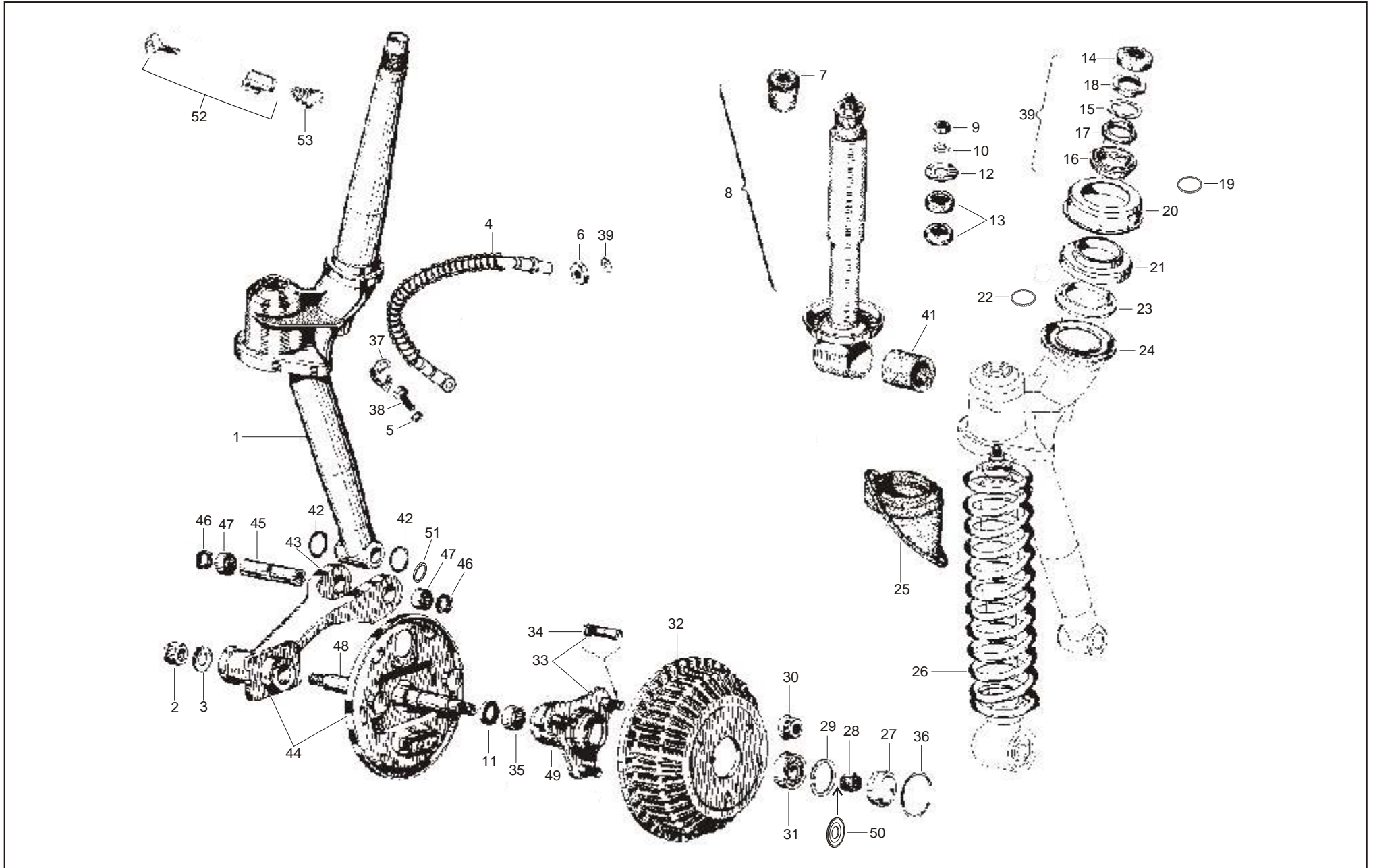


PLATE – XXIII

STEERING COLUMN AND FRONT SUSPENSION

32	(1)	152580 Brake Drum Ape-501	C	41	(1)	566545 Rubber Bush (frt shock absorber) - modified (N.I.)	C	52	(1)	661234 Key complet (pavana)	C
33	(1)	652521 Front Hub Assy. with Stud (VE Rim)	C	42	(2)	6733 O Ring	F,B,LD	53	(1)	569150 Spring; Steering Lock (modified)	C
33	(1)	567474 Front Hub Assy With Stud	C	43	(1)	119740 Spring & shock absorber support rod	F,B	54	(1)	569148 Circlip Steering Lock dia 16 (int) (N.I.)	C
34	(1)	652520 Bolt for Axle M12 x 40	C	44	(1)	616541 Bracket Wheel Carrier	C	55	(1)	925521 Minor Kit Wheel Cylinder front (kbx 1007) (N.I.)	C
34	(1)	108215 Bolt for Axle	C	45	(1)	137235 Steering Pin"ape 501 - 400"	F,B,LD	56	(1)	925517 Major Kit Wheel Cylinder Front (kbx 1006) (N.I.)	C
35	(1)	125289 Needle Bearing Crankcase front wheel	C	46	(2)	8771 Oil Seal (18-24-4)	F,B,LD	57	(1)	604759 Rubber Cap Steering Column (N.I.)	C
36	(2)	107870 Elastic Ring	C	47	(2)	107718 Roller Bush	F,B,LD	58	(1)	604758 Protection Steering Column (N.I.)	F,B,LD
37	(1)	127928 Brake Plate thick=1.0	C	48	(1)	643772 Front Wheel Axle (VE)	F,B,LD				
38	(1)	587829 Banjo Bolt	C	49	(1)	567472 Front Wheel Hub without Bearing and Stud	C				
39	(3)	48197 Plain Washer 24 x 16 x 1.5	F,B,LD	50	(1)	180431 Coin Washer	C				
40	(1)	107732 Bush for Silent Block (N.I.)	C	51	(2)	150579 Ring for Holding (Type J F 101 174)	C				
41	(1)	109117 Rubber Bush (frt shock absorber) / ring	C	52	(1)	569113 Handle Lock With Key	C				

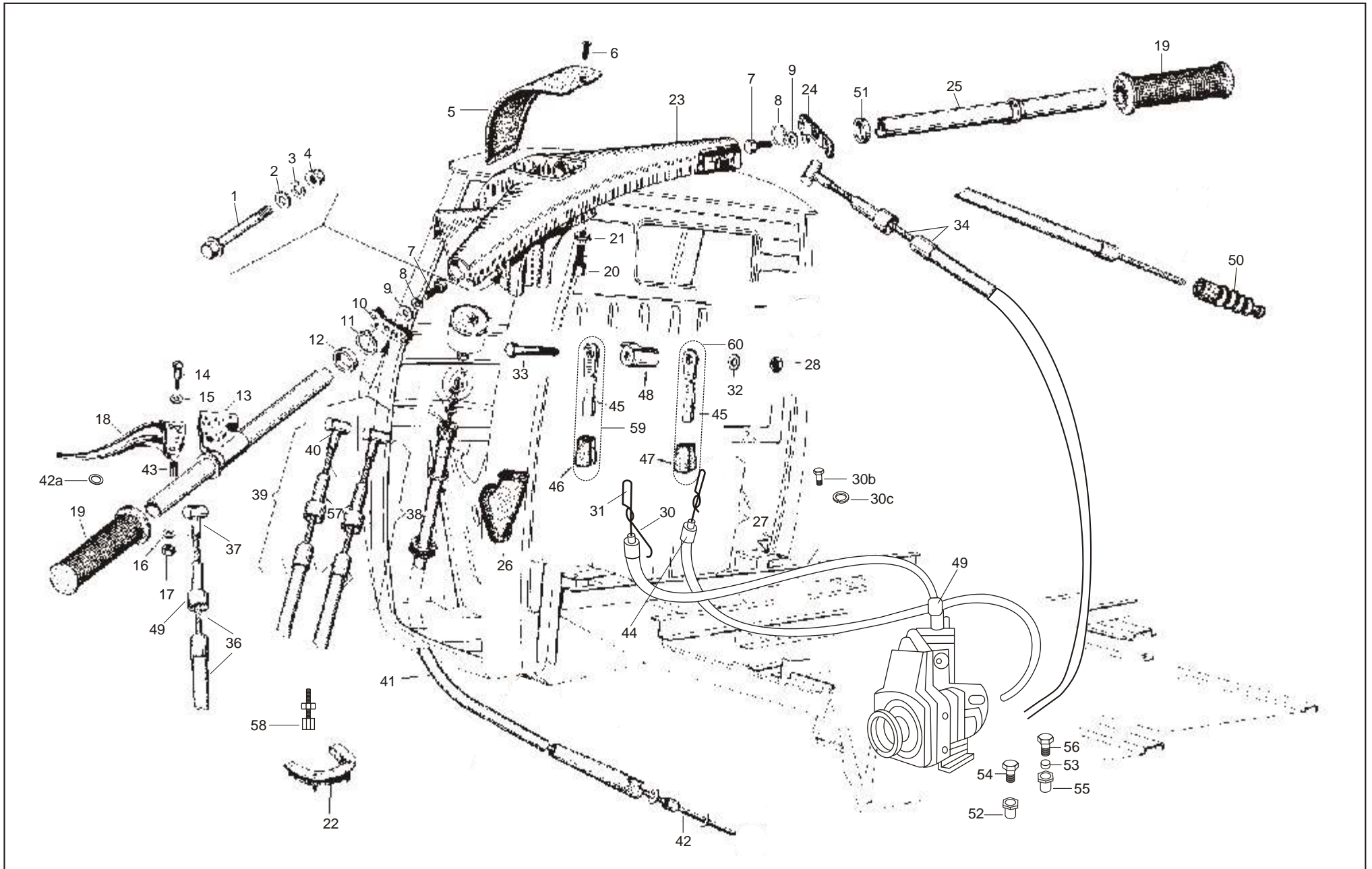


PLATE – XXIV

HANDLE BAR AND CONTROL

1	(1)	30103 Hex HD. screw M10 x 70 CL 8.8	C	13	(1)	127451 Tube with Terminal S/A	C	25	(1)	587902 Accelerator Tube Assy.	C
2	(2)	16626 Plain Washer (18 x 10.5 x 2)	C	14	(1)	15618 Slit Pan HD Screw M6 x 25	C	26	(1)	109227 Protection Grommet	F,B,LD
3	(1)	16410 Spring Washer M10	C	15	(1)	16319 Bent Spring Washer Dia 8	C	27	(1)	604515 Eng. Stop control Transmission Assy. (N.I.)	F,B
4	(1)	20110 Hex Nut M10 x 1.25p	C	16	(1)	16620 Plain Washer 14 x 8 x 0.2	C	27	(1)	660349 Engine Stop control terns. Assy.(N.I.)	LD
5	(1)	604543 Cover	C	17	(1)	12138 Nylock Nut M6	C	28	(1)	2438 Lock Nut M8 (802000824)	C
6	(1)	632158 CSK head Screw (812031235)	C	18	(1)	164906 Clutch Control Lever	C	29	(1)	604509 Eng. stop control cable inner	F,B
7	(2)	31089 Hex HDD Screw M6 x 18	C	19	(2)	141925 Handle	C	29	(1)	660350 Engine Stop Control Cable	LD
8	(2)	16406 Spring Washer M6	C	20	(2)	197071 Adjuster Screw M6	C	30	(1)	B001505 D.C. Control Transmission assly. for ST	F,B
9	(2)	6125 Plain Washer (14x6.4x1.5)	C	21	(2)	20106 Hex Nut M6	C	30	(1)	B001518 D.C. Control cable assy. (N.I.)	LD
10	(1)	109775 Gear Control Lever S/A	C	22	(1)	126902 Protector Collar Cable	C	30	(1)	632166 D.C. Cable Control with seat (N.I.)	F,B
11	(1)	60565 Spring Washer with tongue	C	23	(1)	567567 Handle Bar Body	C	30	(1)	660360 D.C. Cable Control with seat (N.I.)	LD
12	(1)	109404 Washer of Rabbet (41737)	C	24	(1)	109635 Throttle Control Lever with IP	C	30a	(1)	604516 D.C. Cable Control bkt (N.I.)	C

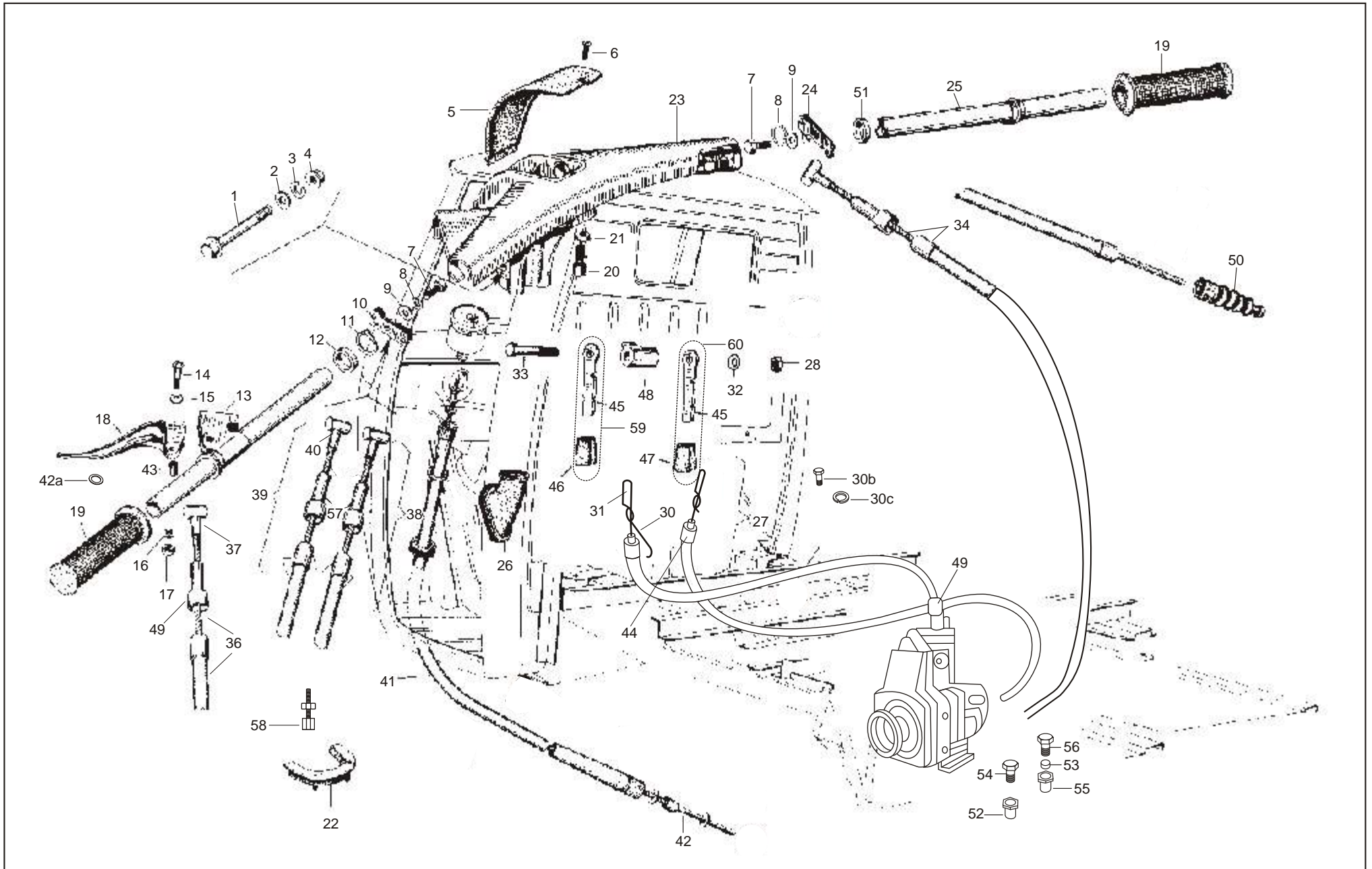


PLATE – XXIV

HANDLE BAR AND CONTROL

30b	(2)	16408 Spring washer M8	F,B,LD	35	(1)	660342 Clutch Control transmision assy.	LD	41	(1)	587627 Speedo Cable Assy./Flexible Trans for Odometer ctrl Assy.	C
30c	(2)	31116 Hex head screw M8 x 16 (811081623)	F,B,LD	35a	(1)	660141 Clutch Control Cable assy. with Terminal(N.I)	F,B	41	(1)	645124 Speedo Cable Assy. (VE)	F,B
31	(1)	604508 Inner Cable Decompression	C	35a	(1)	659802 Clutch Control Cable assy. with Terminal(N.I)	LD	41	(1)	660340 Flexible Trans. for Odometer Control	LD
31	(1)	B001504 Inner Cable Decompression	F,B	36	(1)	B001545 Clutch control Trans. assy. w/o nut & roller	LD	42	(1)	587812 Transmission Cable for Odometer	F,B
31	(1)	B001517 Inner Cable Decompression Cable	LD	36	(1)	B001544 Clutch Control Trans. Assy. w/o nut & roller	LD	42	(1)	659804 Flexible Transmission Cable	LD
32	(1)	7608 Bent Spring Washer Dia. 6	C	37	(1)	587806 Clutch Inner Cable	C	42a	(4)	97756 Metallic plain washer (N.I.)	F,B,LD
33	(1)	30077 Hex HDD Screw	C	38	(1)	587628 Cable Assy. Gear (dark grey)	F,B	43	(1)	125181 Spacer	F,B,LD
34	(1)	587631 Gasoline control transmision assy.	F,B	39	(1)	660343 Shift control trans. assy. No. 2	LD	44	(1)	90511 Wire Guide Terminal	C
34	(1)	660353 Gasoline Control Transmission Assly.	LD	39	(1)	587919 Cable Assy. Gear No. 2 (light grey)	F,B	45	(2)	119928 Lever	C
35	(1)	587802 Gasolene Control Cable With Terminal	F,B	40	(2)	587803 Gear Cable Inner / wire gear control with terminal	F,B	46	(1)	604716 Knob Red (Engine stop)	C
35	(1)	660354 Gasolene Control Cable With Terminal	LD	40	(1)	660345 Shift control cable with terminal	LD	47	(1)	604715 Knob for decompression	C
35	(1)	660140 Clutch Control transmision assy.	F,B	40a	(2)	20105 Hex nut M5 (N.I.)	F,B,LD	48	(1)	119181 Nylon Spacer	F,B,LD

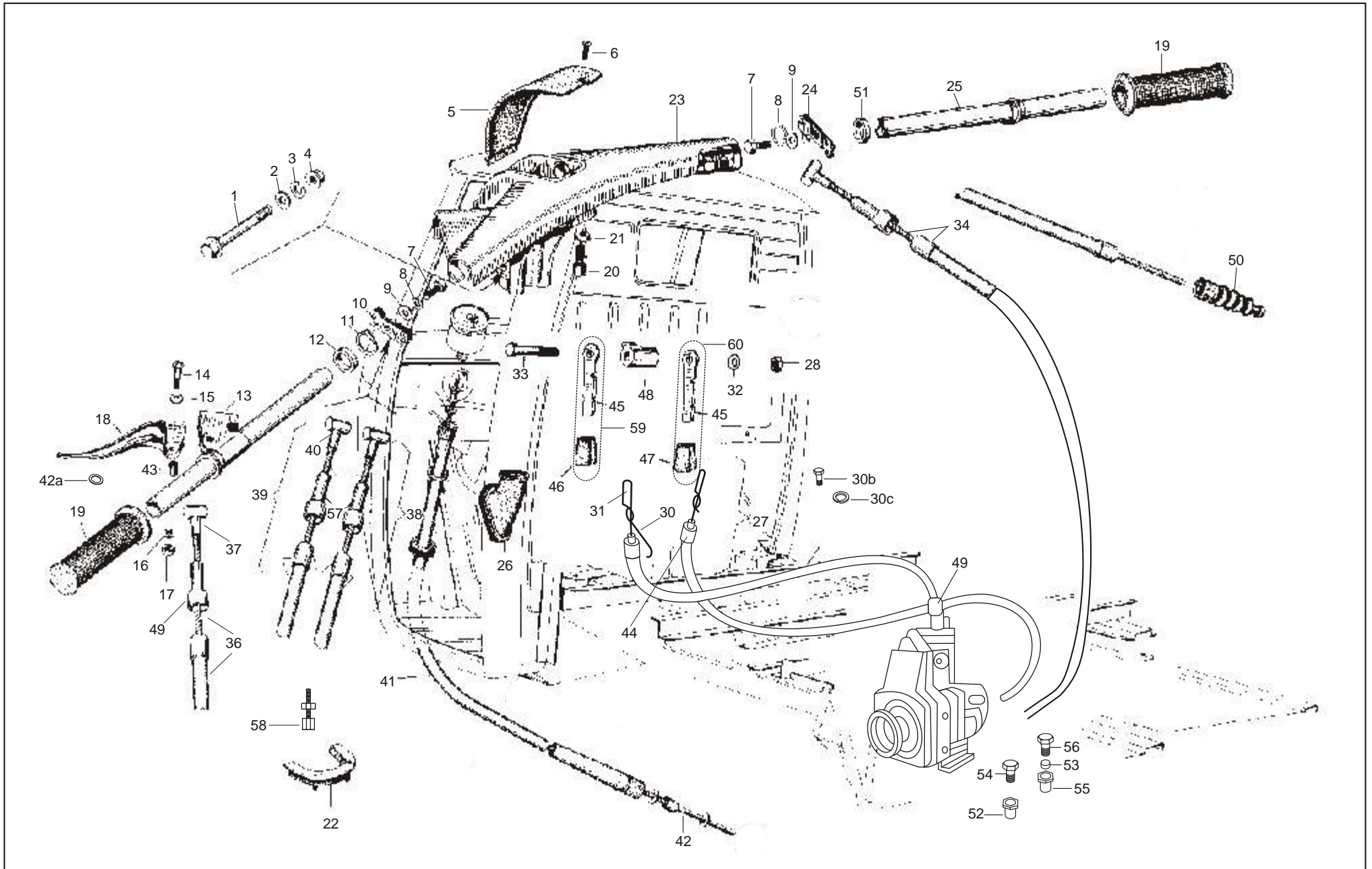


PLATE – XXIV

HANDLE BAR AND CONTROL

49	(1)	119278 Terminal	F,B,LD	59	(1)	604719 lever with knob (Eng. stop)	C
50	(2)	118806 Protection Bellow	F,B,LD	60	(1)	604720 lever with knob (DC)	C
50	(2)	15478 Grommet	F,B,LD				
51	(1)	587904 Sintered Washer Handle Bar (41769)	F,B,LD				
52	(1)	604562 Screw Terminal Assy. - Eng. Stop, DC	F,B,LD				
53	(3)	150418 Small Disc Thik 1.8	C				
54	(2)	567705 Screw	C				
55	(1)	604562 Cable Terminal (Accelerator) - Assy.	C				
56	(1)	14745 Bolt Screw Terminal M5 x 5.5	C				
57	(1)	90527 Threaded Gear Cable Control	C				
57a	(2)	20105 Hex nut M5	C				
58	(2)	197071 Adjuster Screw with Nut	C				

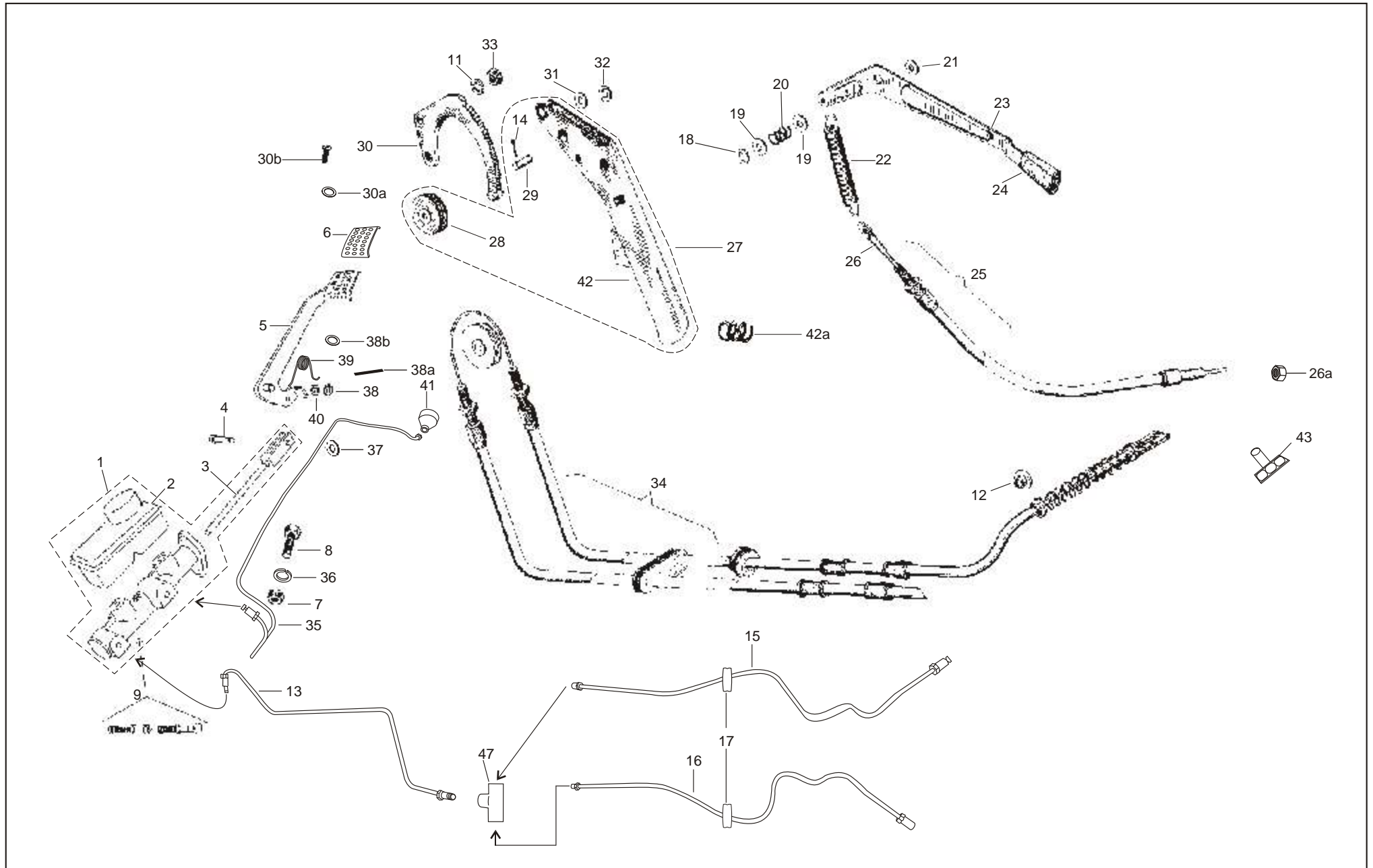


PLATE – XXV

BRAKE - TANDEM MASTER CYLINDER, BRAKE PIPE AND HAND BRAKES

1	(1)	604615 Tandem Master Cylinder - Assy	C	11	(1)	16408 Spring Washer M8	C	18	(1)	5969 Circlip DIA 9 'E' Type	F,B,LD
2	(1)	587773 Brake Oil Tank	C	12	(2)	604502 Cup Retaining Spring (41733)	F,B,LD	19	(1)	6173 Metallic plain Washer (808001026)	F,B,LD
3	(1)	587702 Push Rod	C	13	(1)	568162 (TMC to 3 Way Connector)Braket tube for rear wheel	F,B	20	(1)	108785 Spring	F,B,LD
4	(1)	587645 Pin for Lever	C	13	(1)	660333 Brake tube for rear wheels	LD	21	(1)	108788 Spacer	F,B,LD
5	(1)	587678 Foot Brake Pedal	F,B,LD	13a	(2)	925573 Major Kit RR Wheel Cy. (NI)	C	22	(1)	567690 Reverse Gear compling Spring	C
5a	(1)	604760 Brake Pedal with foot rest assy. (N.I.)	F,B,LD	14	(1)	12761 Split Pin	C	23	(1)	125411 Reverse Gear Control Lever	F,B,LD
6	(1)	567461 Rubber Protection for pedal	C	14a	(1)	925574 Miner kit RR wheel Cyhich (NI)	C	24	(1)	604717 Knob for R.C.	C
7	(2)	20108 Hex Nut M8	C	15	(1)	652424 Brake Bunty Tube Rear LH (VE)	C	25	(1)	587633 Cable Reverse Gear Control Assy.	F,B
8	(2)	31122 Hex HDD Screw M8 x 30 CL 8.8	C	15	(1)	644813 Brake Pump Tube of Left Rear Wheel (VE)	C	25	(1)	660356 Reverse Gear Trans. cable	LD
8	(2)	16408 Spring washer M8	C	16	(1)	587622 Braket bunty tube RHS wheel	LD	26	(1)	587822 Cable Reverse Gear with terminal	F,B
9	(1)	925508 Major Kit - TMC	C	16	(1)	652425 Brake Bunty Tube Rear RH (VE)	C	26	(1)	660358 Cable Reverse Gear with terminal	LD
10	(1)	925509 Minor Kit - TMC (N.I.)	C	17	(1)	177949 Grommet for Bunty Tube/ plug for oil piping	LD	26a	(2)	20105 Hex nut M5	F,B,LD

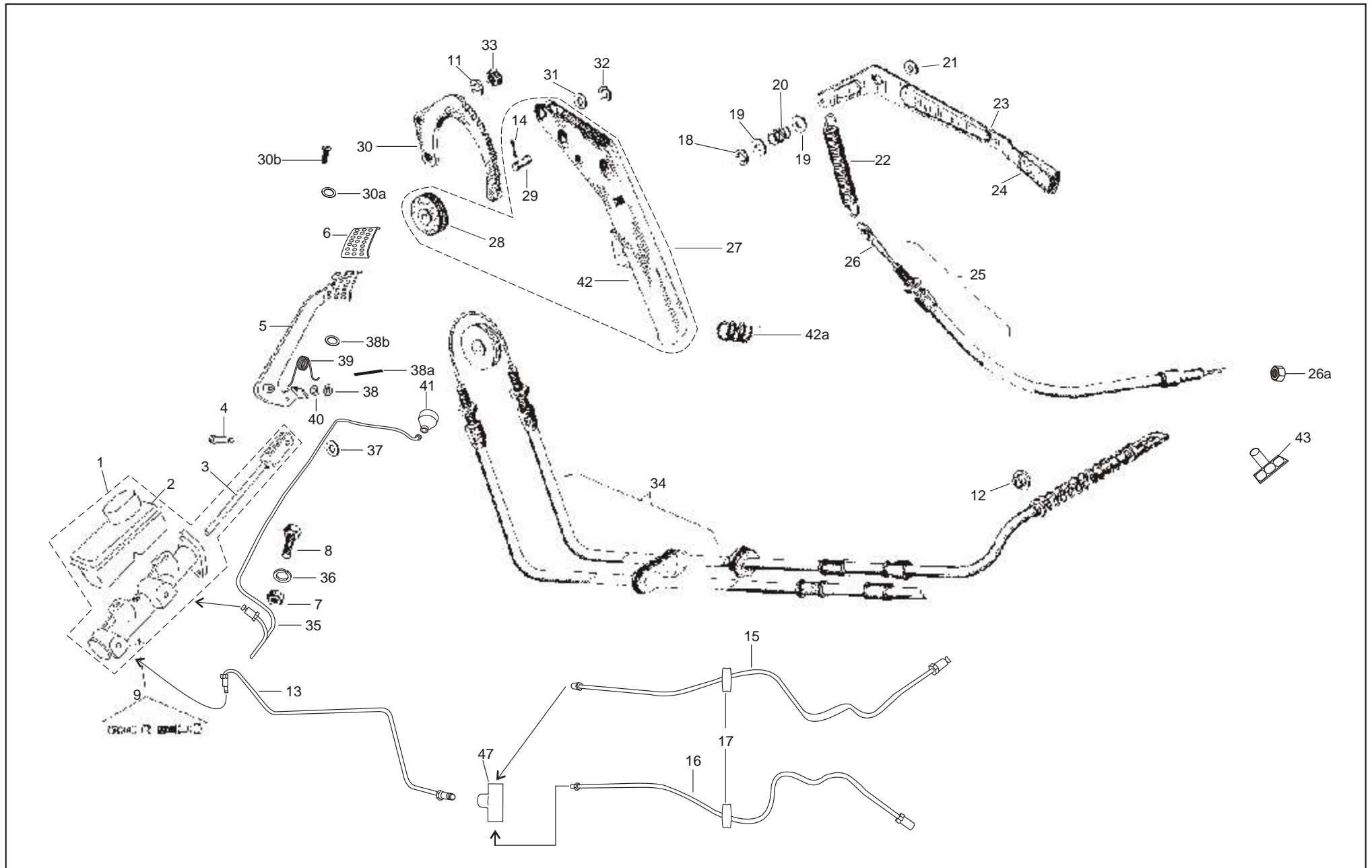


PLATE – XXV

BRAKE - TANDEM MASTER CYLINDER, BRAKE PIPE AND HAND BRAKES

27	(1)	587632 Hand Brake control Lever Assy. Consists of Sr. No. 14;28;29;42	F,B,LD	34	(1)	660341 Parking Brake Trans. Sub. Assy.	LD	42a	(1)	150719 Spring for hand brakel	C
28	(1)	567898 pulley for hand brake	F,B,LD	35	(1)	568161 Tube Between TMC & Front Wheel	C	43	(1)	119278 Terminal	F,B,LD
29	(1)	567899 Clevis Pin	F,B,LD	36	(2)	16408 Spring Washer	C	44	(2)	116394 Cable terminal (N.I.)	C
30	(1)	567897 Ratchet - Hand Brake control	F,B,LD	37	(1)	6414 Circlip Dia. 14 (ext)	C	45	(2)	127923 Hand brake transmision return spring (N.I.)	C
30a	(6)	140728 Plain washer 8.5 x 24 x 3	C	38	(1)	6408 Circlip Dia. 8 (ext)	C	46	(1)	652001 Pin (N.I.)	C
30b	(1)	31118 Screw M8 x 20 (811082029)	C	38a	(1)	567920 Split Pin	C	47	(2)	587831 Connection brake tube (N.I.)	C
31	(1)	6173 Plain Washer M10	C	38a	(1)	568737 Split pin 4 x 25 (821042522)	F,B,LD				
31	(1)	13812 Metallic plain washer (808001026)	C	38b	(1)	3058 Plain Washer 15x8.4x1.5	C				
32	(1)	6411 Circlip Ext-DIA-11	C	39	(1)	587928 Spring Foot Brake Pedal	C				
33	(1)	20108 Hex Nut M8	C	40	(1)	229524 Washer 21x14.3x2	F,B,LD				
34	(1)	567719 Cable hand Brake control Assy.	F,B	41	(1)	138237 Cap	F,B,LD				
34	(1)	B002338 Parking Brake Trans. Sub. Assy.	C	42	(1)	567746 Hand Brake Control Assy.	F,B,LD				

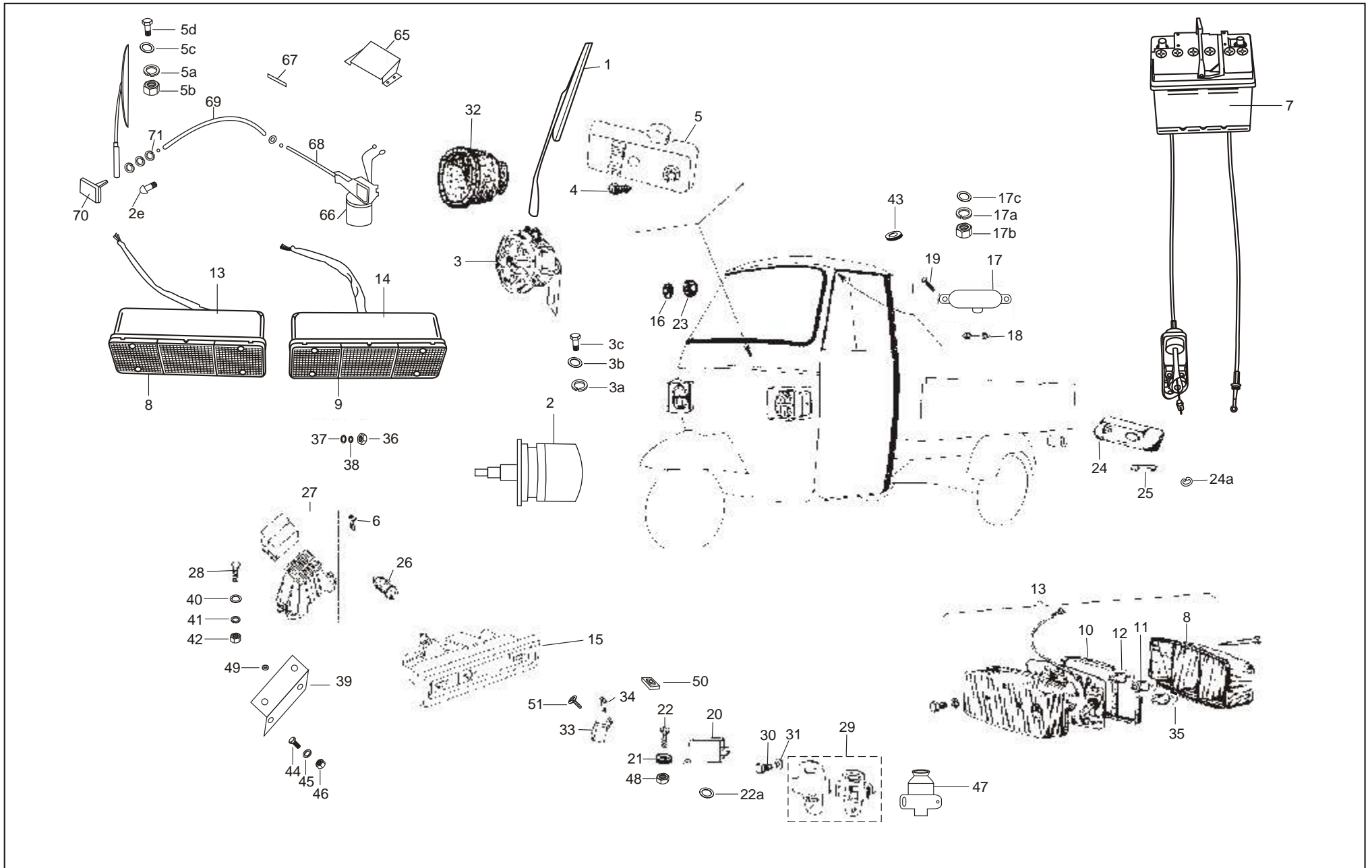


PLATE – XXVI

ELECTRICAL DEVICES

1	(1)	632292 Wiper Arm & Blade Assy.	F,B,LD	5a	(6)	16406 Spring washer M6	C	9	(1)	925583 Tail Lamp Lense RH Modified (Neolite)	C
2	(1)	632284 Assy. wiper motor (Rack type)	F,B,LD	5b	(6)	20106 Hex nut M6	C	10	(2)	925512 Packing	C
2	(1)	569171 Wiper motor asy. kit (Rack type)	F,B,LD	5c	(10)	3056 Plain washer	C	11	(2)	181746 Indicator Bulb 12V 10W	C
2a	(1)	632995 Wipper motor assy. with mtg. bkt (501)	F,B,LD	5d	(4)	31088 Hex HD. screw M6 x 16 CL8.8 (811061623)	C	11	(2)	925581 Indicator Bulb 12V 21W Amber Colour	C
3	(1)	587653 Horn Assy.	C	6	(6)	604557 Blade Fuse (10A)	C	12	(2)	567700 Stop and Parking Bulb 12V 10/5 W	C
3	(1)	645009 Horn Assy. with protection cover dia75	C	7	(1)	661308 Battery 50 AH - TATA	F,B,LD	13	(1)	604547 Tail Lamp Assy. LH	C
3	(1)	604667 Horn Sealed Type Dia. 75	C	7	(1)	587650 Battery 12V 60Ah (EK 60L)	F,B,LD	13	(1)	661369 Tail Lamp Assy. LH (neolite)	F,B,LD
3a	(1)	16408 Spring washer M8	C	7	(1)	660802 Battery EK50L-Exide	F,B,LD	13	(1)	661371 Tail Lamp Assy. LH with reflex reflector	F,B,LD
3b	(1)	3058 Plain washer 15 x 8.4 x 1.5	C	7	(1)	659920 Battery 55AH - TATA	F,B,LD	13	(1)	643704 Tail lamp assy (LH)	C
3c	(1)	31116 Hex HD screw M8 x 16 (811081623)	C	8	(1)	925510 Tail Lamp Lense LH	C	14	(1)	604546 Tail Lamp Assy. RH (N.I.)	C
4	(1)	15640 Screw	C	8	(1)	925582 Tail Lamp Lense LH Modified (Neolite)	C	14	(1)	661368 Tail Lamp Assy. RH (Neolite)	C
5	(1)	186454 Main Switch Assy.	C	9	(1)	925511 Tail Lamp Lense RH	C	14	(1)	604670 Tail Lamp Assy. RH with reflex reflector	F,B,LD

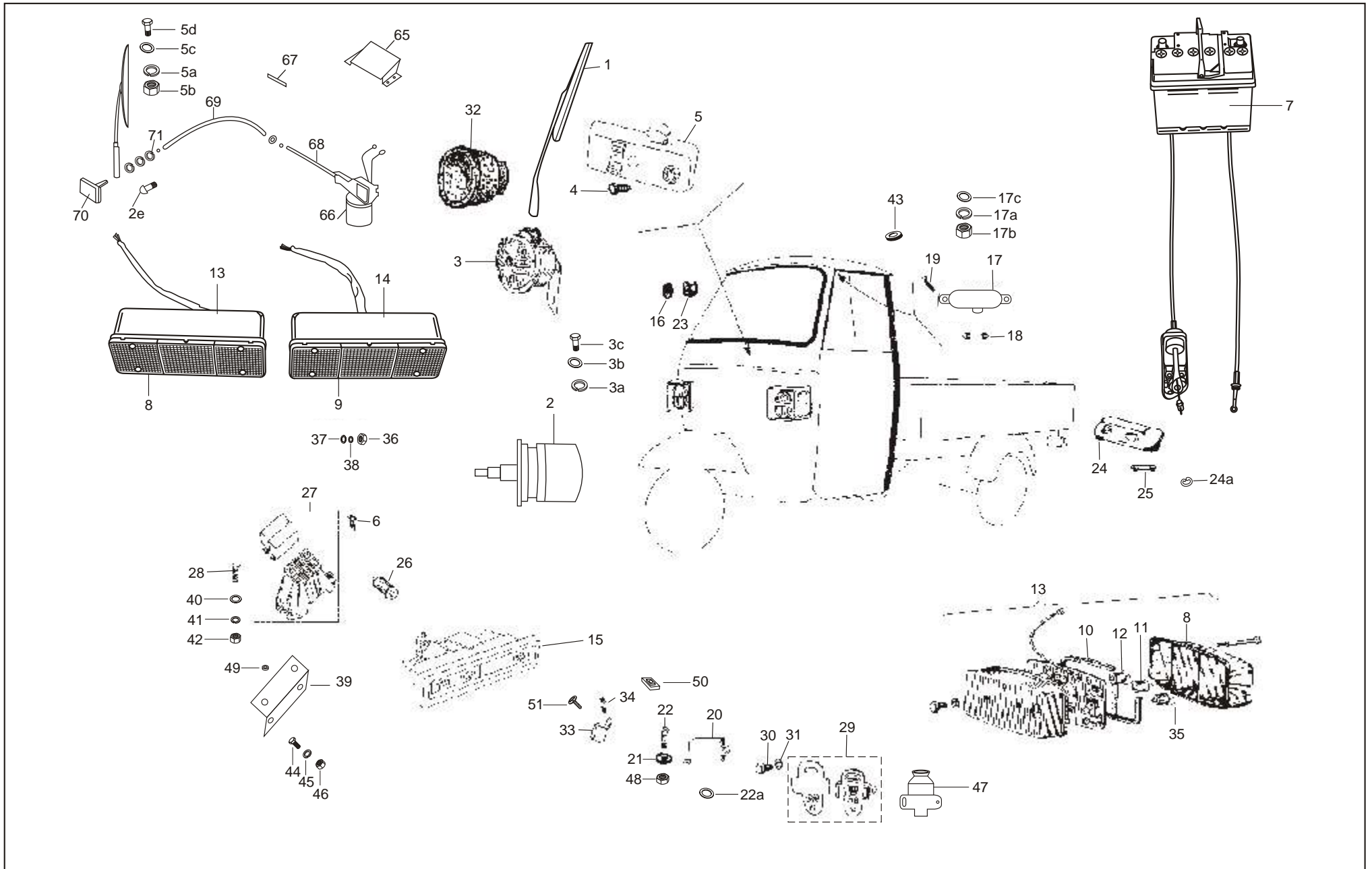


PLATE – XXVI

ELECTRICAL DEVICES

14	(1)	643705 Tail lamp assy (RH)	C	20	(1)	632479 Electronic flasher unit - 12V	C	28	(2)	31058 Hex Head Screw M5 x 16 CC8.8	C
15	(1)	587647 Cluster Assy. (tell - tate)	C	21	(1)	12546 Multi Tooth Lock Washer M5 (827000540)	C	29	(1)	567498 Brake Switch / Reverse Light Switch	F,B,LD
15	(1)	604793 Cluster Assy. Engine Tech	C	22	(1)	31057 Hex Head Screw M5 x 14 CL 8.8	C	30	(2)	568750 Screw M4 x 16 (811041623)	F,B,LD
16	(1)	16408 Horn bkt Securing Washer M8	C	22a	(1)	3055 Raw washer (808000527)	C	30	(2)	15996 Phil RD HD Screw M4 x 12	C
17	(1)	150041 Cabin Lamp Assy.	C	23	(1)	20108 Hex Nut M8	F,B,LD	31	(2)	3054 Plain Washer M4 (808000424)	C
17	(1)	B003056 Cabin lamp assy. w/o bulb	C	24	(1)	150915 Light Registration Plate	C	32	(1)	645041 Horn cover (VE)	C
17	(1)	150920 Cabin light assy. with lamp	F,B,LD	24	(1)	568092 Registration Plate lamp	C	33	(1)	567582 Fuse Holder with Fuse (1 x 30A)	C
17a	(2)	16406 Spring washer M6	F,B,LD	24a	(1)	12536 Lock Washer for Number Plate	C	34	(1)	567706 Fuse 30 A	C
17b	(2)	20106 Hex nut M6	F,B,LD	25	(1)	71633 Bulb 12V 5W	C	35	(2)	182101019 Reverse Lamp Bulb 12V 5W	C
17c	(2)	3056 Plaint washer	F,B,LD	26	(4)	568727 Bulb Cluster 12V 2W	C	35	(2)	181747 Reverse Lamp Bulb 12V 5W	C
18	(1)	71633 Bulb 12V 5W	C	27	(1)	925596 Fuse Box with Fuse	C	36	(2)	12136 Nut / Nylock Nut M5	C
19	(2)	15727 Pan Self Tapping Screw 4SG x 9.5AB	C	27	(1)	567581 Fuse Box with Fuse	C	37	(2)	6078 plain washer 12 x 5.2 x 1	C

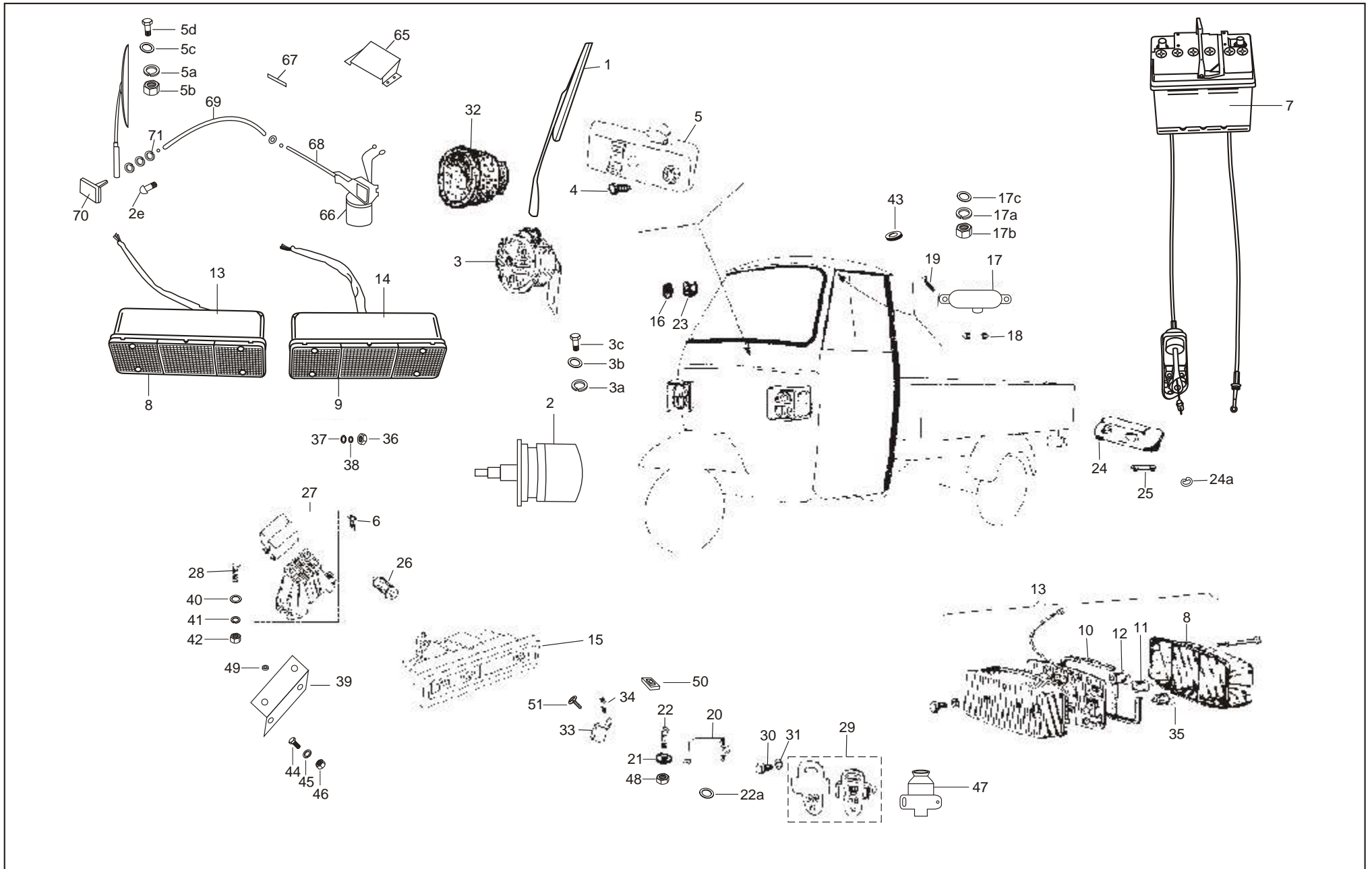
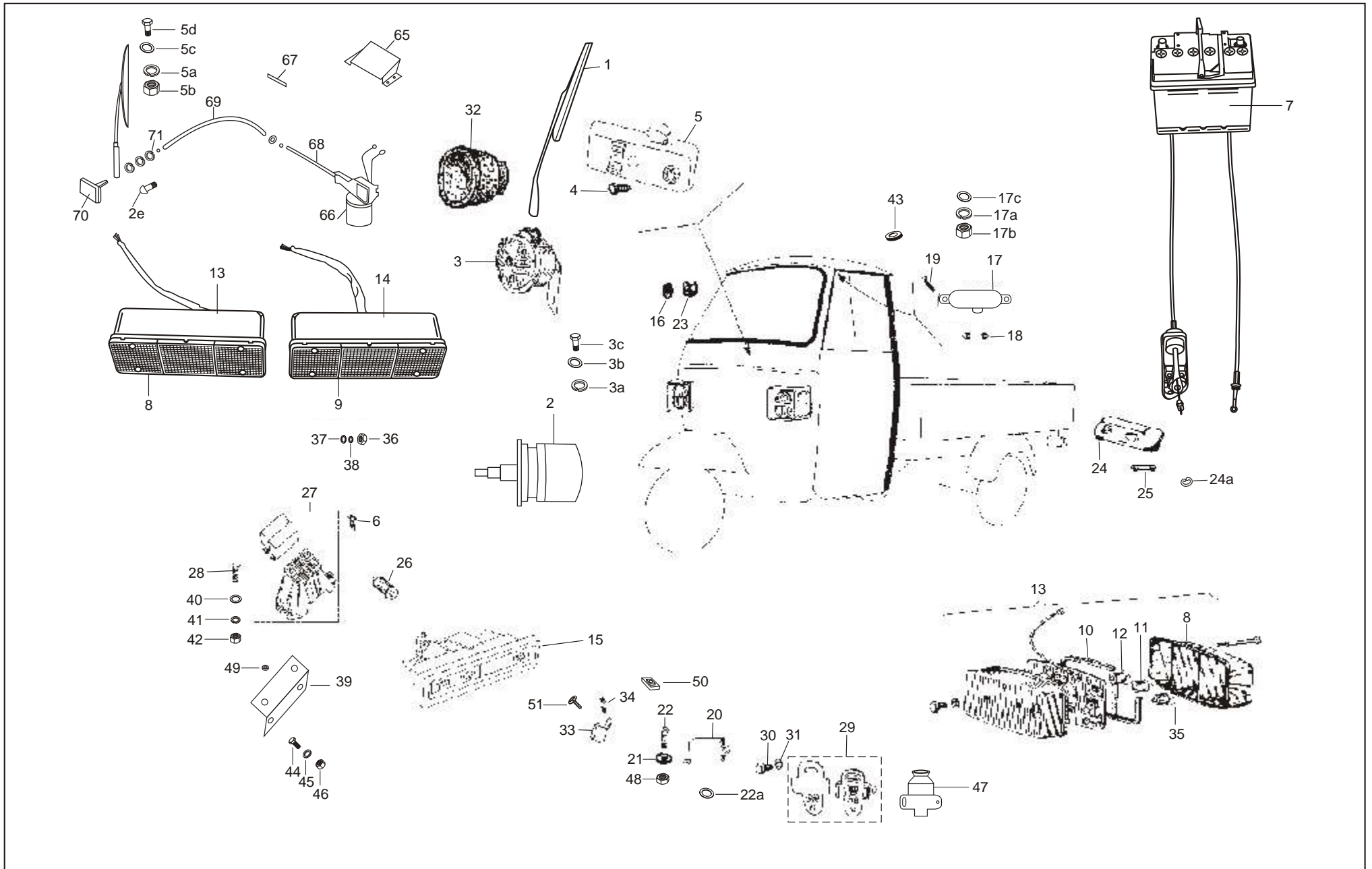


PLATE – XXVI

ELECTRICAL DEVICES

38	(2)	16405 Spring Washer	C	49	(1)	568146 Spacer (Fuse Box)	C	61	(1)	925605 Tail lamp glass RH (N.I.)	C
39	(1)	567733 Bkt Fuse Holder	C	50	(1)	568103 Mtg Bkt One Way Fuse holder	F,B,LD	62	(1)	925604 Tail lamp glass (LH) (N.I.)	C
40	(4)	3055 Plain Washer M5	C	51	(1)	15911 Screw / Panself Tapping Screw	C	63	(1)	925607 Tail lamp housing (N.I.)	C
40	(4)	6078 Plain Washer 12 x 5.2 x 1	C	51	(1)	568692 Tapping Screw 6SG x 16	C	64	(2)	925606 Tail Lamp glass screw (N.I.)	C
41	(2)	6965 Spring Washer dia 5	C	52	(3)	604554 Bulb Holder I Pole - Cluster Assy. (N.I.)	C	65	(1)	569166 Mounting Bracket assy.	F,B,LD
42	(2)	20105 Hex Nut M5	C	53	(1)	604555 Bulb Holder II Pole - Cluster Assy. (N.I.)	C	66	(1)	604506 Bundy Tube Outer (368000)	F,B,LD
43	(1)	77055 Ring	C	54	(1)	568714 Battery Cover - Passenger (N.I.)	C	66a	(1)	604522 Plastic cover (N.I.)	F,B,LD
44	(2)	31056 Screw M5x12 CCB 8.8	C	55	(1)	661231 Internal circlip Dia 9.5 (N.I.)	F,B,LD	67	(1)	569178 Rubber Pad	F,B,LD
45	(2)	6965 Bent Spr Washer Dia 5	C	57	(1)	925584 Bulb (N.I.)	C	68	(1)	632285 Bundy Tube (Wheelside)	C
46	(1)	20105 Hex Nut M5	C	58	(1)	925585 Screw Lense mounting (N.I.)	C	69	(1)	569199 Bundy Tube	C
47	(1)	567747 Stop (Brake) Switch Protection / Packing Boot	C	59	(1)	925586 Lense mounting screw (N.I.)	C	70	(1)	569197 Wheel Box Assy. (Modified)	F,B,LD
48	(1)	20105 Nut / Hex Nut M5	C	60	(1)	925589 Lense mounting screw (N.I.)	C	71	(2)	3054 Plain washer (808000424) (N.I.)	C



72	(1)	568182 Packing (N.I.)	C
73	(1)	77055 Ring (N.I.)	C
74	(4)	661925 Pan head screw M5 x 0.8 x 16 (N.I.)	C
75	(1)	925572 Brush Card Assy.(NI)	C
76	(1)	569177 Strap Assy.(NI)	F,B,LD
77	(1)	632415 Strap Assy.(NI)	C
78	(1)	604522 Plastic cover	F,B,LD
79	(1)	569165 Dome Cap Nut-Wiper Blade (NI)	F,B,LD
80	(1)	569188 Dust cap	F,B,LD
81	(1)	925567 Gear Plate Assy. (NI)	C
82	(1)	925570 Armature Assy. (NI)	C
83	(1)	925571 Cable Rack (NI)	C

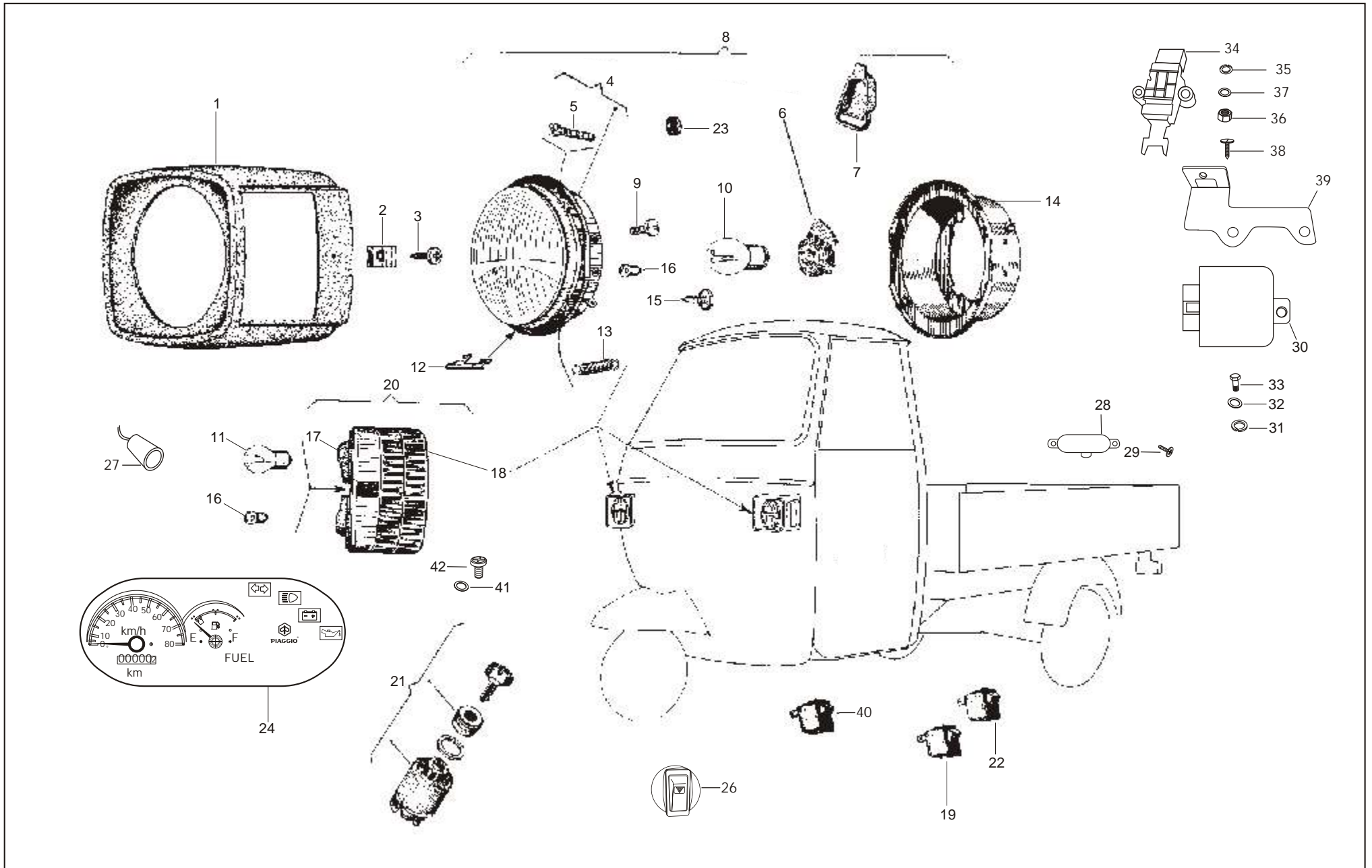


PLATE – XXVII

ELECTRICAL DEVICES

1	(1)	182152 Head Lamp Holder Protection RH	C	8	(1)	632478 Head Lamp LH Assy.	C	15	(6)	15900 Head Lamp Securing Screw	C
1	(1)	182153 Head Lamp Holder Protection LH	C	8	(1)	632478 LH light unit	F,B,LD	16	(2)	567593 Bulb 12V 5W	C
1	(1)	616900 Seat of lamp right	C	8	(1)	632477 Head Lamp RH Assy.	C	17	(1)	127177 Front Parking Lamp Body RH	C
1	(1)	616901 Seat of lamp left	C	8	(1)	632477 RH light unit	F,B,LD	17	(1)	127176 Front Parking Lamp Body LH	C
2	(2)	8080 Spring Plate	C	9	(2)	8432 Screw for Fixing Parking Lamp Assy.	C	18	(1)	180004 Front Parking Lamp Lense RH	C
3	(2)	8455 Screw / Panself Tapping Screw	C	9	(3)	15900 Pan self TP Screw 8SG x p.5	F,B,LD	18	(1)	180021 Front Parking Lamp Lense LH	C
4	(4)	124449 Head Lamp	C	10	(2)	219528 Bulb 12V 35/35W	C	18	(1)	925579 Front Parking Lamp Lense RH Modified (Neolite)	C
5	(4)	15641 Head Lamp Adjusting Screw	C	11	(2)	181746 Indicator Light Bulb 12V 10W	C	18	(1)	925580 Front Side Indicator Lamp Lense LH Modified (Neolite)	C
6	(2)	114121 Bulb Holder / Holder Front Lamp	C	11	(2)	925581 Indicator Light Bulb 12V 21W Amber Colour	C	18	(1)	925578 Front Side Indicator Lense LH Modified Lumax	C
7	(2)	114122 Cap	C	12	(4)	119735 Protection Securing Spring / Spr. for Protection	C	18	(1)	925577 Front Side Indicator Lense RH Modified Lumax	C
8	(1)	587659 Head Lamp LH Assy.	C	13	(2)	127179 Spring for Head Lamp	C	18	(1)	925577 Front Side Indicator Lense RH Modified Lumax	C
8	(1)	587660 Head Lamp RH Assy.	C	14	(2)	185843 Head Lamp Support / Ring	C	19	(1)	587670 Switch 3 Position	F,B,LD

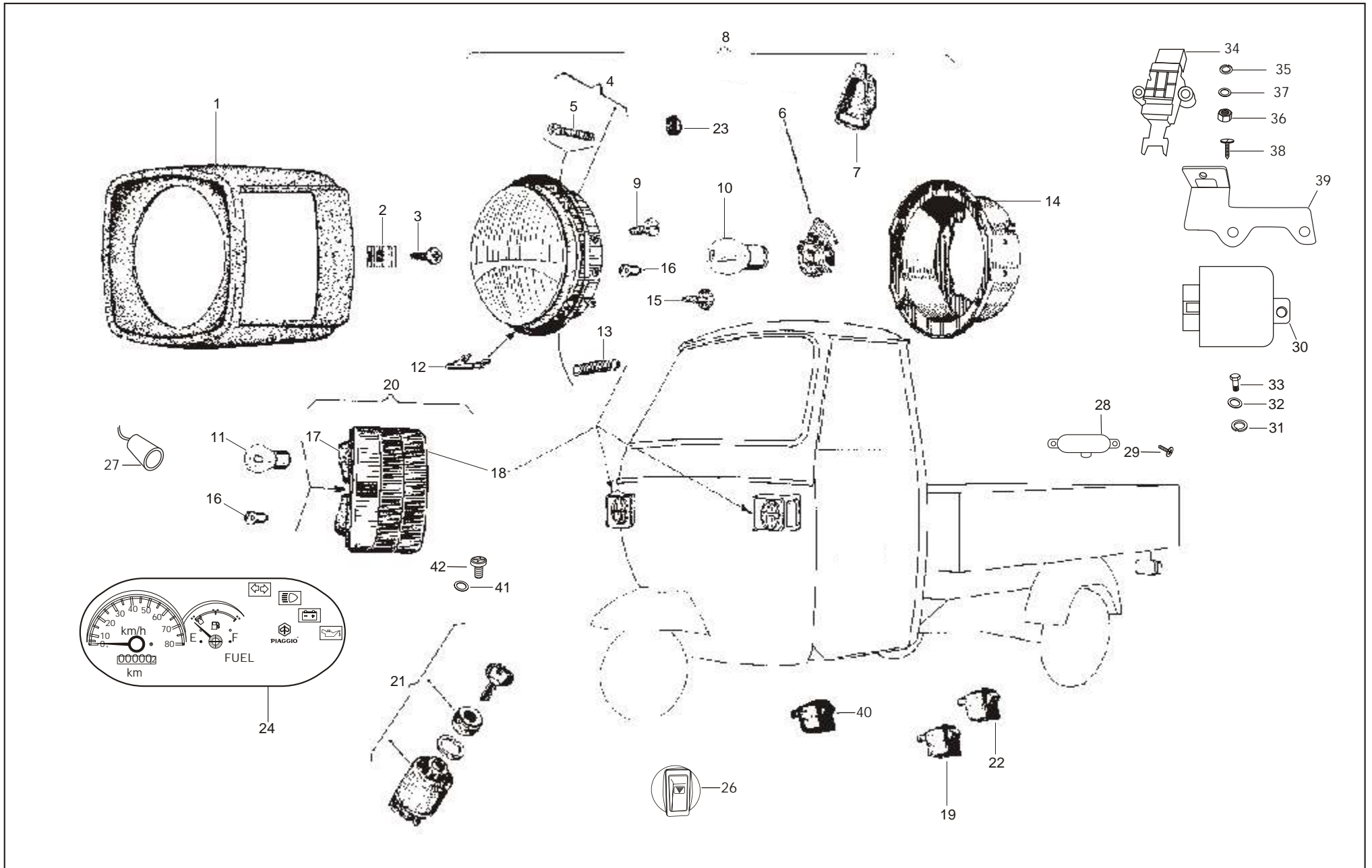


PLATE – XXVII

ELECTRICAL DEVICES

20	(1)	180022	C	25	(1)	587671	C	31	(1)	16406	B,LD
		Front Parking Lamp Assy. RH				4 ST Relay Solenoid (NI)				Spring washer M6	
20	(1)	180023	C	26	(1)	632262	C	32	(1)	3056	C
		Front Parking Lamp Assy. LH				Hazard Warning Switch (12V)				Plain washer	
20	(1)	616900	C	26	(1)	660826	C	33	(1)	31088	C
		Front Side Indicator Lamp Assy. RH Modified (Neolite)				Hazard Warning Switch with Crown Cap				Hex hd screw M6 x 16 CL8.8 (811061623)	
20	(1)	616901	C	26	(1)	B003433	F	34	(1)	661436	C
		Front Side Indicator Lamp Assy. LH Modified (Neolite)				Hazard Warning Switch with Crown Cap (Pavna)				Starter safety switch	
21	(1)	587649	C	27	(1)	645153	F,B,LD	35	(2)	16404	C
		Ignition Switch Assy / with Key				Mobile charger				Spring washer M4	
21	(1)	643500	B,LD	28	(1)	B003055	B,LD	36	(2)	20104	C
		Lock set with keys (PU) common key				Eng. comp. lamp assy. w/o bulb (A3 auto)				Hex nut M4 (800000428)	
21	(1)	643502	F	28	(1)	567573	B,LD	37	(4)	3054	C
		Lock set with keys				Eng. comp. lamp assy. w/o bulb (A3 auto)				Plain washer (808000424)	
21	(1)	632696	C	28	(1)	643616	F	38	(2)	B001503	C
		Ignition switch-Assy				Cabin lamp				Philip hd screw (M4x20)	
21	(1)	B002573	F,B,LD	28	(1)	567572	B,LD	39	(1)	661437	C
		Ignition Switch w/coupler (Pavna)				Eng. comp. lamp assy. (A3 auto)				D.C. Bracket (For S.S.SW)	
22	(1)	587974	C	28	(1)	B001894	B,LD	40	(1)	B003727	C
		Switch Wiper Motor				Eng. comp. lamp assy. (A3 auto)				Relay 12V - NC	
23	(2)	119975	C	29	(1)	643612	B,LD	41	(2)	3055	C
		Grommet				Self tapping screw 2.9 x 6 AB				Raw washer	
24	(1)	661510	C	30	(1)	294076	F,B,LD	42	(4)	661925	C
		Instrument Cluster				Remote control switch				Philip pan hd. screw (M5 x 0.8 x 1.6)	

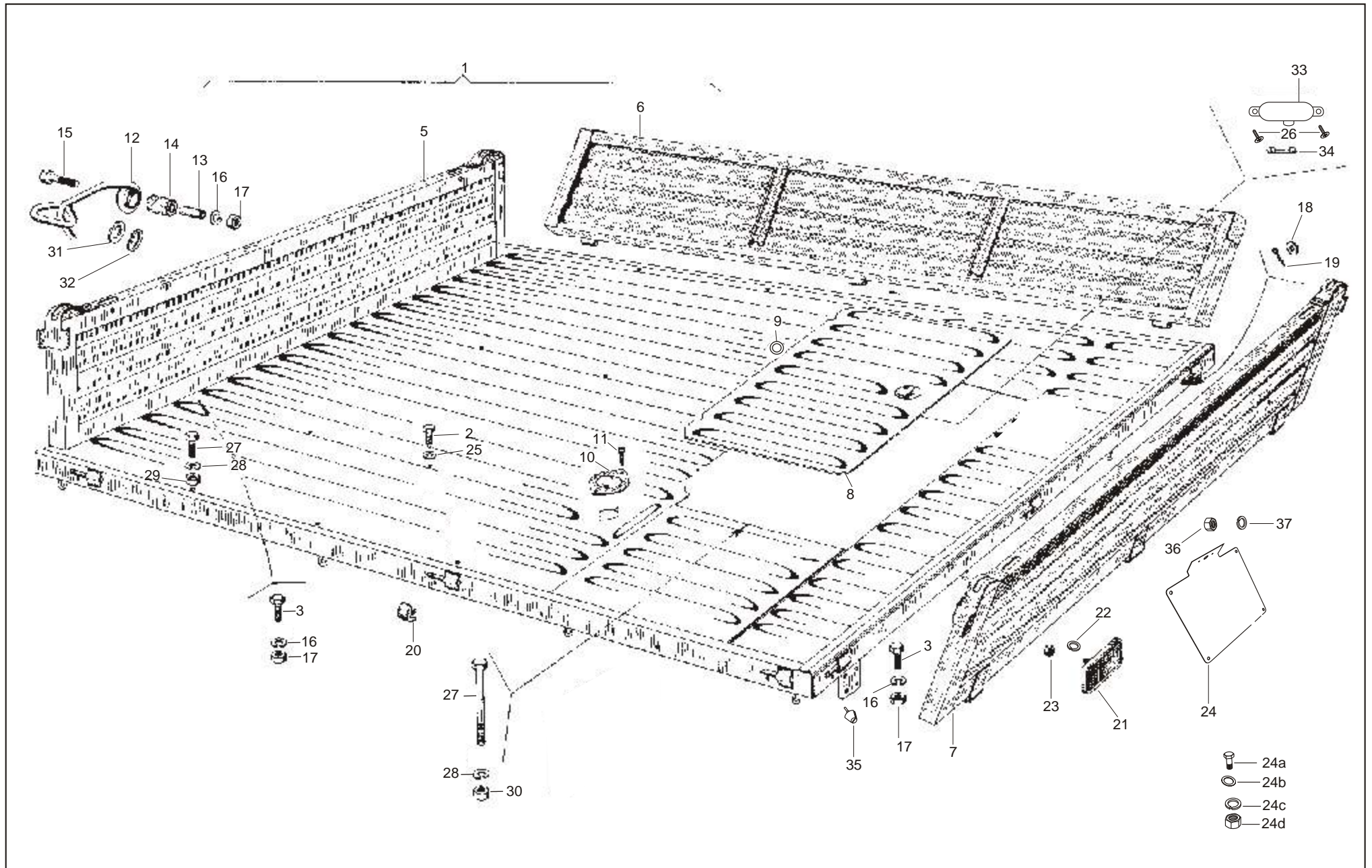


PLATE – XXVIII

OPEN BOX BODY (PICK-UP)

1	(1)	660459BG	LD	1	(1)	B001000WR	LD	1	(1)	643940PM	B,LD
		Flat car with Fasteners-LD -BG (N.I)				Ape xtra LD P/U W/folding gate (GL435) WR				Platform S/A Lower Part -PM (N.I)	
1	(1)	660459BW	LD	1	(1)	B005001BG	B	1	(1)	B002525BG	B
		Flat car with Fasteners-LD -BW)(N.I)				Ape cargo D600 pick up BG				3W Pick up Load Body - Brilliant Green (N.I)	
1	(1)	660459CB	LD	1	(1)	B005001BW	B	1	(1)	B002525BW	B
		Flat car with Fasteners-LD -CB (N.I)				Ape cargo D600 pick up BW				3W Pick up Load Body - Bianco White (N.I)	
1	(1)	660459GY	LD	1	(1)	B005001CB	B	1	(1)	B002525CB	B
		Flat car with Fasteners-LD -GY (N.I)				Ape cargo D600 pick up CB				3W Pick up Load Body - Charming Blue (N.I)	
1	(1)	660459PM	LD	1	(1)	B005001GY	B	1	(1)	B002525GY	B
		Flat car with Fasteners-LD -PM (N.I)				Ape cargo D600 pick up GY				3W Pick up Load Body - GY (N.I)	
1	(1)	660459SY	LD	1	(1)	B005001PM	B	1	(1)	B002525PM	B
		Flat car with Fasteners-LD -SY (N.I)				Ape cargo D600 pick up PM				3W Pick up Load Body - PM (N.I)	
1	(1)	B001000BG	LD	1	(1)	B005001SY	B	1	(1)	B002525SY	B
		Ape xtra LD P/U W/folding gate (GL435) BG				Ape cargo D600 pick up SY				3W Pick up Load Body - SY (N.I)	
1	(1)	B001000BW	LD	1	(1)	B005001WR	B	1	(1)	B002555BG	B
		Ape xtra LD P/U W/folding gate (GL435) BW				Ape cargo D600 pick up WR				HI Body Assly. With T/Gate-BG (N.I)	
1	(1)	B001000CB	LD	1	(1)	643940BG	B,LD	1	(1)	B002555BW	B
		Ape xtra LD P/U W/folding gate (GL435) CB				Platform S/A Lower Part - BG (N.I)				HI Body Assly. With T/Gate-BW (N.I)	
1	(1)	B001000CO	LD	1	(1)	643940BW	B,LD	1	(1)	B002555CB	B
		Ape xtra LD P/U W/folding gate (GL435) CO				Platform S/A Lower Part - Bianco White (N.I)				HI Body Assly. With T/Gate-CB (N.I)	
1	(1)	B001000GY	LD	1	(1)	643940CB	B,LD	1	(1)	B002555GY	B
		Ape xtra LD P/U W/folding gate (GL435) GY				Platform S/A Lower Part-Charming Blue (N.I)				HI Body Assly. With T/Gate-GY (N.I)	
1	(1)	B001000SY	LD	1	(1)	643940GY	B,LD	1	(1)	B002555PM	B
		Ape xtra LD P/U W/folding gate (GL435) SY				Platform S/A Lower Part-Golden Yellow (N.I)				HI Body Assly. With T/Gate-PM (N.I)	
1	(1)	B001000SY	LD	1	(1)	643940SY	B,LD	1	(1)	B002555PM	B
		Ape xtra LD P/U W/folding gate (GL435) SY				Platform S/A Lower Part -SY (N.I)				HI Body Assly. With T/Gate-PM (N.I)	

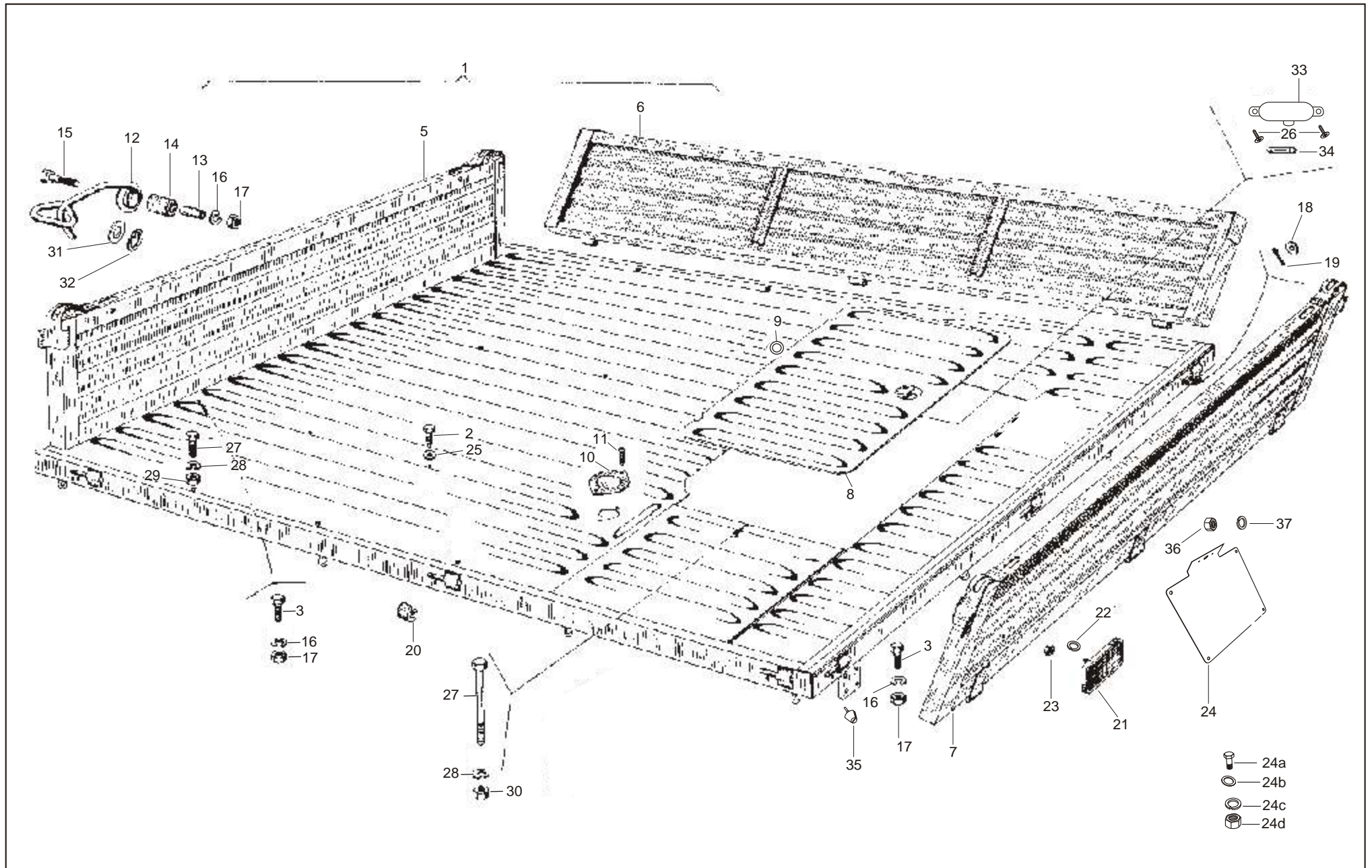


PLATE – XXVIII

OPEN BOX BODY (PICK-UP)

1	(1)	B002555SY HI Body Assly. With T/Gate-SY (N.I)	B	7	(1)	643831 Tail Gate / LW Panel Assy. (Pickup) VE	C	17	(4)	20108 Hex Nut M8	C
1a	(1)	643794 Open Box Body-Assy	B	7	(1)	567478 Tail Gate / LW Panel Assy. (Pickup)	C	18	(4)	3057 Washer / Plain Washer 13 x 7 x 1	C
2	(12)	8265 Self Tapping Screw / Pan Self Tapping Screw 10 SGx13AB	C	8	(1)	643936 Engine Inspection Cover/VE	C	19	(2)	12778 Split Pin 3 x 20	B,LD
3	(6)	31119 Bolt / Hex Hd Screw M8 x 25	C	8	(1)	B001186 Engine Inspection Door	F,B,LD	20	(4)	127046 Stop Buffer	C
4	(1)	567578 Lock Set with Keys (N.I.)	C	9	(2)	109361 Stop Buffer Front / Buffer	F,B,LD	21	(2)	587964 Reflector / Rear Reflex Reflector	C
4	(1)	604530 Lock Set with Keys (N.I.)	C	10	(2)	225814 Damper Cover / Cover	F,B,LD	22	(2)	16405 Spring Washer / M5	C
4	(1)	643500 Lock Set with Keys (N.I.)	C	11	(4)	8451 Pan Self Tapping Screw 6SG x 13 AB	F,B,LD	23	(2)	20105 Nut / Nylock Nut M5	C
5	(1)	B003448 Back Door Complete	B	12	(1)	128804 LH lever for clamping the side panel	B,LD	24	(1)	567945 Reg. No. Plate / Registration PlateAssy.	C
6	(1)	193756 Side Panel for Open Box Body RH / Back Door Complete	C	12	(1)	128805 RH lever for clamping the side panel	B,LD	24a	(4)	31058 Hex hd screw M5 x 16 CL 8.8	C
6	(1)	643836 Side Panel for O/B Body LH / Door Central	C	13	(2)	109212 Spacer	C	24b	(4)	16405 Spring washer M5	C
6	(1)	661859 Side panels LH & RH	B	14	(2)	109213 Spring Bush	C	24c	(4)	20105 Hex nut M5	C
6	(1)	660299 Side panels LH & RH	LD	15	(2)	30074 Screw / Hex Hd Bolt M8 x 40	C	24d	(4)	3055 Raw washer (808000527)	C
6	(1)	660299 Side panels LH & RH	LD	16	(8)	16408 Spring Washer M8	C	25	(8)	16603 Plain Metalic Washer	C

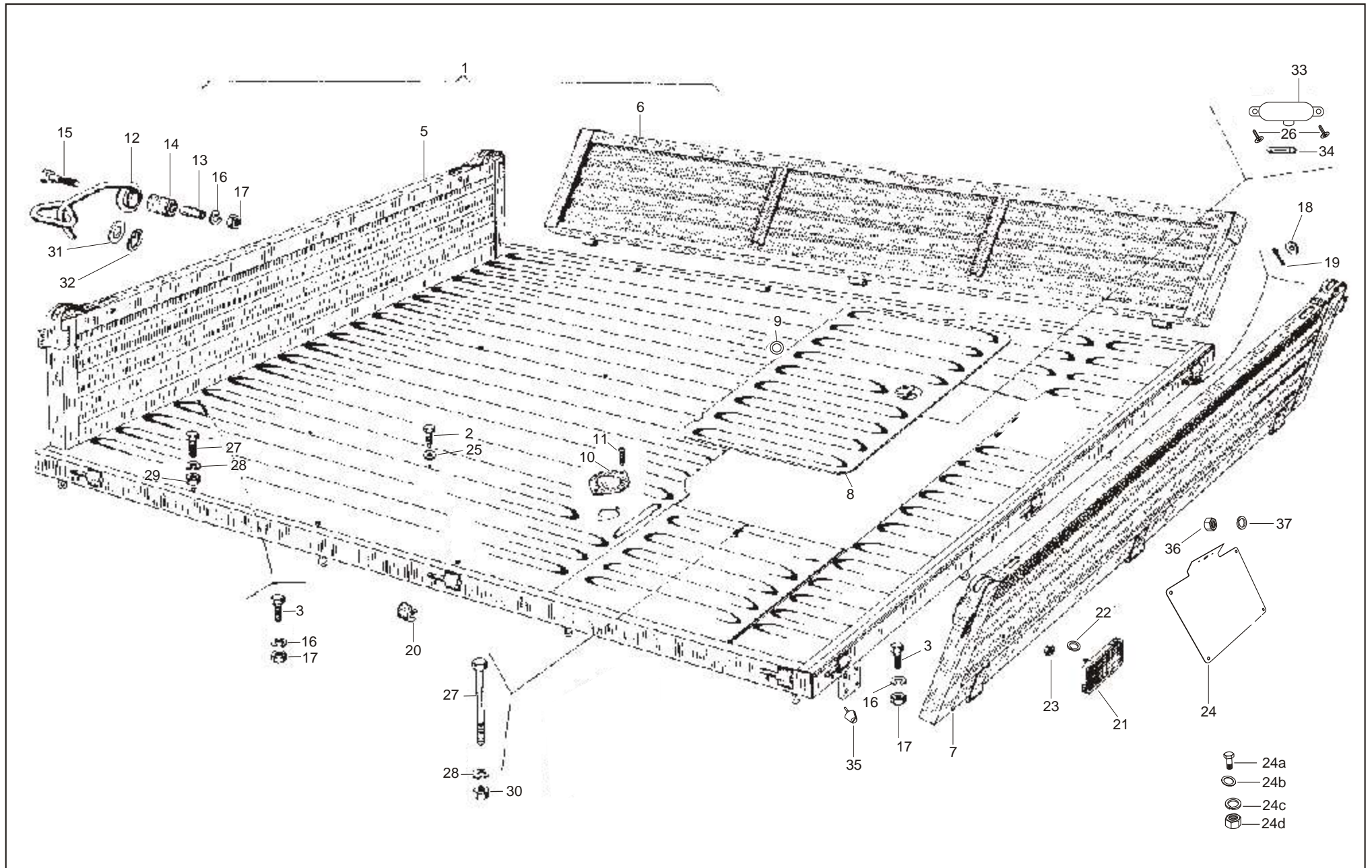


PLATE – XXVIII

OPEN BOX BODY (PICK-UP)

26	(4)	15727 Pan Self Tapping Screw	F,B,LD	37	(2)	16406 Spring Washer / M6	C	42	(1)	B001893 Number plate lamp assy. A-3 Auto (N.I.)
27	(6)	31089 Screw / Hex Hd Bolt M6 x 14	C	38	(1)	568746 (Golden Yellow) Platform for DAC w/o Engine Cover (N.I.)		43	(1)	660175 ape sticker for rolled back panel - Red (N.I.)
28	(4)	16406 Spring Washer / M6	C	38	(1)	568746 (Green)Platform for DAC w/o Engine Cover (N.I.)		44	(1)	660176 ape sticker for rolled back panel - Yellow (N.I.)
29	(4)	20106 Hex Nut M6	C	38	(1)	568746 (Maroon)Platform for DAC w/o Engine Cover (N.I.)				
30	(2)	12138 Open Box Body Securing Nut/Nylocknut M6	C	38	(1)	568746 (Blue) Platform for DAC w/o Engine Cover (N.I.)				
31	(8)	3058 Washer 15 x 8.4 x 1.5	C	38	(1)	568746 (Sahara Yellow) Platform for DAC w/o Engine Cover (N.I.)				
32	(4)	5967 Circlip / Dia 7E	C	38	(1)	568746 (Banco White) Platform for DAC w/o Engine Cover (N.I.)				
32	(4)	12778 Split Pin / 3 x 20 (N.I.)	C	38	(1)	568746 (Banco White) Platform for DAC w/o Engine Cover (N.I.)				
33	(1)	567572 Engine Inspection Lamp Assy. with Bulb	C	39	(1)	662323 Piaggio tail gate sticker (N.I.) Yashshree	B,LD			
33	(1)	567573 Engine Inspection Lamp without Bulb	C	39	(1)	662137 Piaggio tail gate sticker (N.I.) Suyash	B,LD			
34	(1)	71533 Bulb 12 V - 5W	C	40	(2)	568721 Spring washer M4 (N.I.)				
35	(2)	567732 Buffer	F,B,LD	41	(2)	8451 Pan self tp screw 6SG x 13AB (N.I.)				
36	(2)	20106 Nut / Hex Nut M6	C							

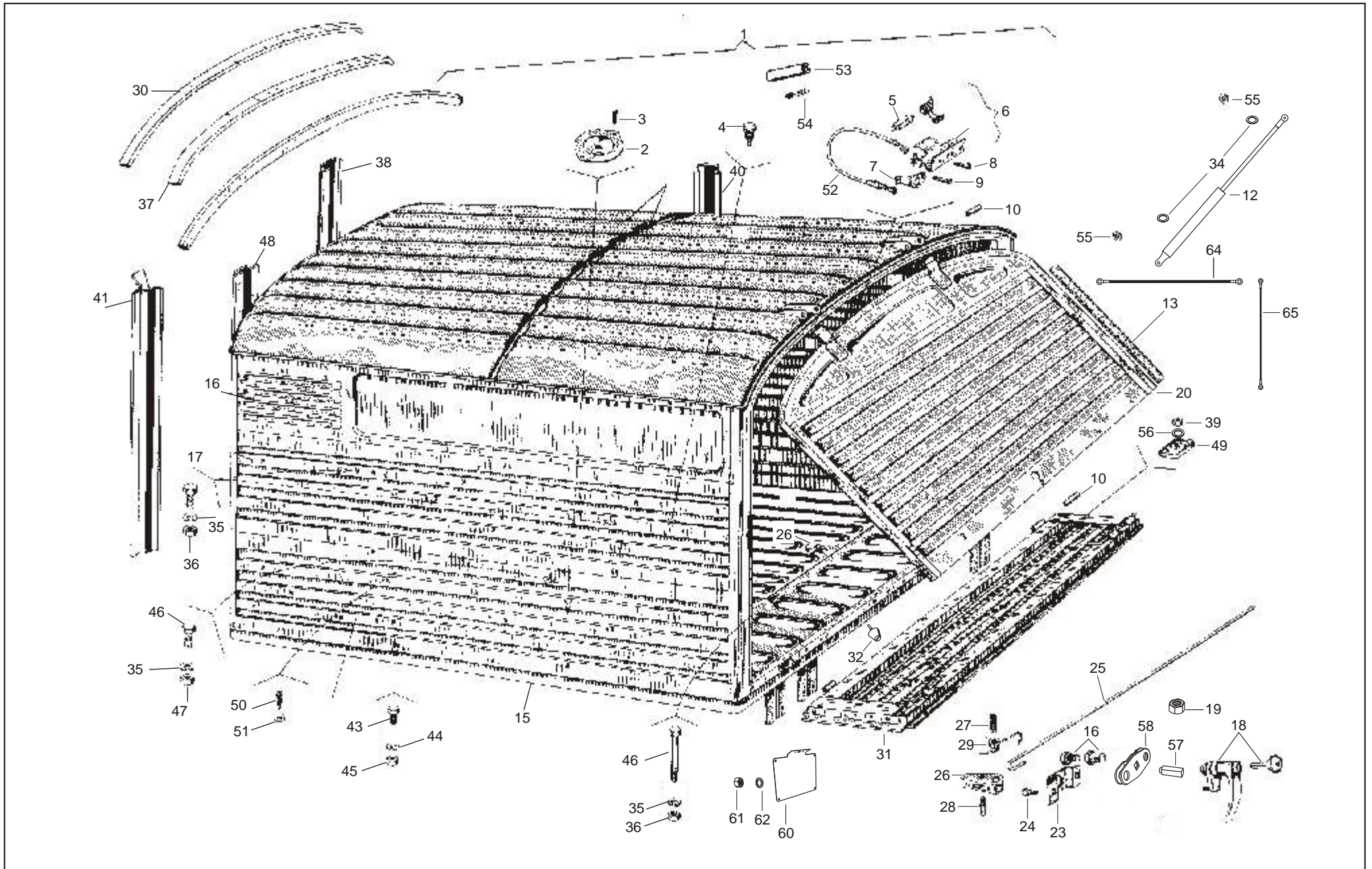


PLATE – XXIX

CLOSED BODY (DELIVERY VAN)

1	(1)	B002574BG Delivery Van S/A Brilliant green	B	5	(3)	71633 Bulb 12V 5W	19	(3)	12136 Nylok nut M5 (802000525)
1	(1)	B002574SY Delivery Van S/A Sahara Yellow	B	6	(1)	567575 Lamp Assembly with Bulb	20	(1)	567569 Rear Upper Hatch with IP
1	(1)	B002574CB Delivery Van S/A Chaming Blue	B	6	(1)	567576 Light assy.	21	(2)	604563 Screw Terminal Assembly (D.V. Door)
1	(1)	B002574GY Delivery Van S/A Golden yellow	B	7	(1)	8103 Push Button Switch	22	(2)	31084 Screw / Hx Head Screw M6 x 10
1	(1)	B002574PM Delivery Van S/A Passion Maroon	B	8	(10)	15727 Pan Self Tapping Screw 4SG x 9.5AB	23	(1)	568163 Lever Stop Bracket
1	(1)	B006877 Delivery van S/A	BSIII	9	(1)	15846 CSK Self Tapping Screw	24	(8)	8451 Pan Self Tapping Screw 6SG x 13AB
1	(1)	148028 Upper Panel Frame side panel with IP		10	(4)	17701 Spring Pin 6 x 50	25	(2)	140090 Hook Control Puller
1	(1)	B006878 D.V. S/A with rear hatch	BSIII	11	(1)	643501 Lock Set with Keys (Delivery Van) (N.I.)	26	(1)	141663 Lock Pawl thik = 2.0
2	(2)	225814 Cover for Damper Holes		12	(1)	198101 Gas Spring	27	(2)	141666 Pin Dowel
3	(8)	8451 Pan Self Tapping Screw 6SG x 13AB		13	(1)	568136 Roof Panel	28	(6)	8847 Spring Pin 6 x 24
4	(2)	109361 Buffer		14	(1)	568151 Packing Rear Shutter	29	(2)	141664 Paw Return Spring
5	(1)	282105014 Bulb 12V 5W		16	(2)	148028 Upper Panel Frame Side Assembly	30	(1)	587841 Outer Profile
				18	(2)	569117/B003260 Door Handle Assembly with Lock and Key	31	(1)	567476 Rear Lower Hatch with IP (Delivery Van)

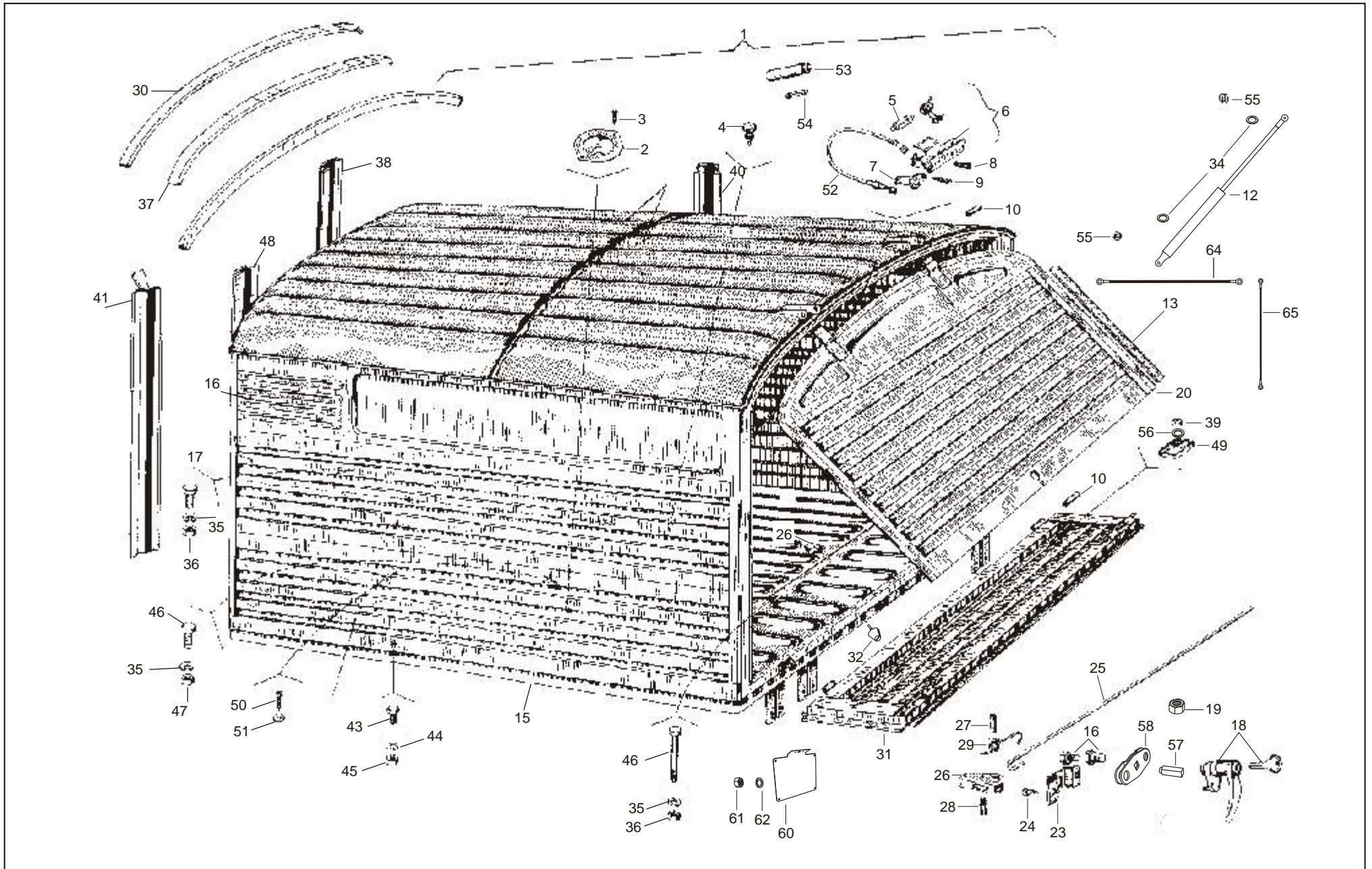


PLATE – XXIX

CLOSED BODY (DELIVERY VAN)

32	(2)	567732 Stop Buffer	49	(2)	587964 Reflector / Rear Reflex	61	(2)	20106 Hex Nut M6
33	(1)	117135 Door Assembly	50	(6)	8265 Self Tapping Screw / Pan Self Tapping Screw	62	(2)	16406 Spring Washer M6
34	(5)	3058 Plain Washer	51	(6)	16603 Plain Mettalic Washer	63	(1)	567579 Lock Set with Keys (Delivery Van) (N.I.)
35	(6)	16408 Spring Washer / M8	52	(1)	567703 Wire; Earth Lamp to Button	63	(1)	643501 Lock Set with Keys (Delivery Van) Com. Key (N.I.)
36	(4)	20105 Nut / Hex Nut M5	53	(1)	569147 Fuse Holder with Fuse (1 x 30) Amp.	64	(1)	567701 Wire; Battery to Fuse
37	(2)	129159 Intermediate Rib	54	(1)	604557 Fuse 10 Amp.	65	(1)	567702 Wire Fuse to Lamp
39	(2)	20105 Nut / Hex Nut M5	55	(2)	12778 Ring (Split Pin)	66	(1)	568164 Deliverery Van Wiring Harness Group consisting of Sr.No.53;64 and 65
42	(1)	567698 Door Space Profile	56	(2)	16405 Spring Washer M5			
43	(6)	31087 Screw / Hex Hd Screw M16 x 14	57	(1)	217166 Lever Control Pin			
44	(4)	16408 Spring Washer / M8	58	(1)	217167 Plate for Puller Lever Assembly			
45	(4)	20106 Nut / Hex Nut M6	59	(1)	142244 Gasket (N.I.)			
46	(6)	31119 Closed Box Body Securing Screw	60	(1)	567945 Registration Plate Assembly			
47	(2)	12138 Closed Box Body Securing Nut/Hex Nut M6	60	(1)	643661 Licence Plate Mouting BKT			F,B,LD

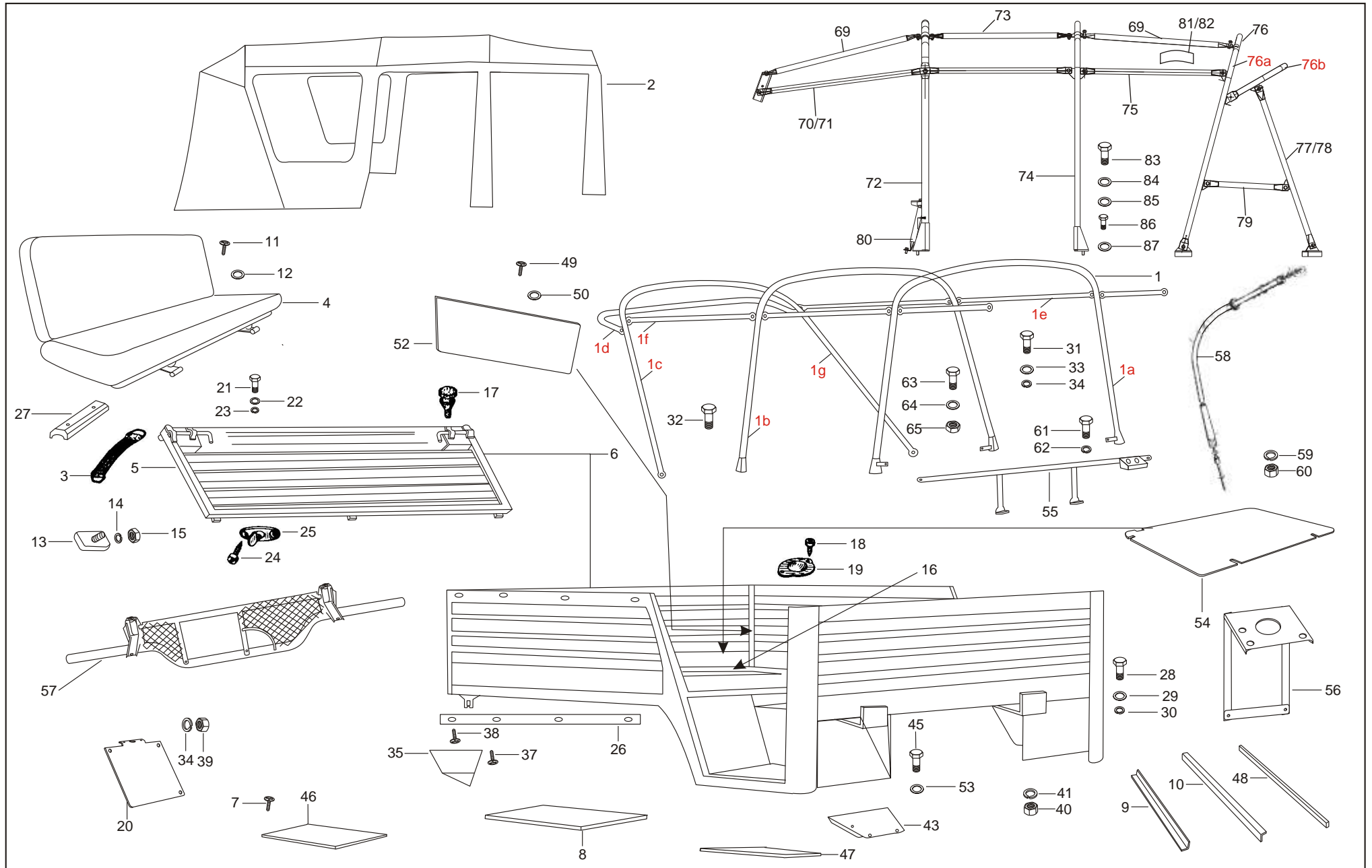


PLATE – XXX

PASSENGER AUTO RICKSHAW BODY

1	(1)	587786 Hood Frame Assembly (Cargo Canvas)	C	4	(1)	604578 Passenger Seat Assembly	F	16	(1)	568273 Engine Inspection Flap / Door Assembly	F
1	(1)	661427 Hood Frame Assembly (Soft Top)	C	4	(1)	661375 Passenger seat assy.	F	17	(2)	567732 Rubber Buffer RR Gate	F
1a	(1)	661376 Hoop No. 2 (Frame covering)	F	5	(1)	661430 Rear Door/Hatch Assly. Latch Bolt (Pass)	F	18	(4)	8451 Pan Self Tapping Screw	C
1b	(1)	661377 Hoop No. 3 (Frame covering)	F	6	(1)	B002523BL Pass.Body with Tail Gate (Upgrade)Black	F	19	(2)	225814 Cover	F
1c	(1)	661378 Hood Frame Pipe	F	6	(1)	B002523GY Pass.Body with Tail Gate (Upgrade)GY	F	20	(1)	567945 Registration Plate Assembly	F
1d	(1)	661379 Hood Frame Pipe	F	7	(6)	9000 Self Tapping Screw 4SG x 13AB	C	20	(1)	643659 Registration No. Plate	F
1e	(1)	661421 Front left pipe (Frame Covering)	F	8	(1)	587955 Passenger Compartment Carpet (For Export)	C	20a	(1)	643661 Registration Plate mtg. bkt. (N.I.)	F
1f	(1)	B001205 Rear pipe for frame (Covering)	F	10	(2)	587962 Profile Long for Carpet (Export)	F	21	(2)	31119 Screw (M8x25)	C
1g	(1)	661422 Front right pipe (Frame Covering)		11	(8)	15996 PH RD Screw M4 x 12	C	22	(2)	3058 Plain Washer 15x8.4x1.5	C
2	(1)	587940 Soft Top Assembly (Canvas)	F	12	(16)	3054 Plain Washer M4	C	23	(2)	16408 Spring Washer M8s	C
2	(1)	B006787 Soft top assy.	F	13	(2)	587964 Rear Reflex Reflector	F	24	(14)	8432 Pan Self Tapping Screw	F
2	(1)	B006789 Soft top assy. (MH)	F	14	(7)	16405 Spring Washer M5	C	25	(7)	587948 Bracket for Handle	F
3	(2)	587907 Belt - Passenger Seat Retainer	F	15	(2)	20105 Hex Nut M5	C	26	(1)	643752 Lateral Profile for Cover (VE)	F

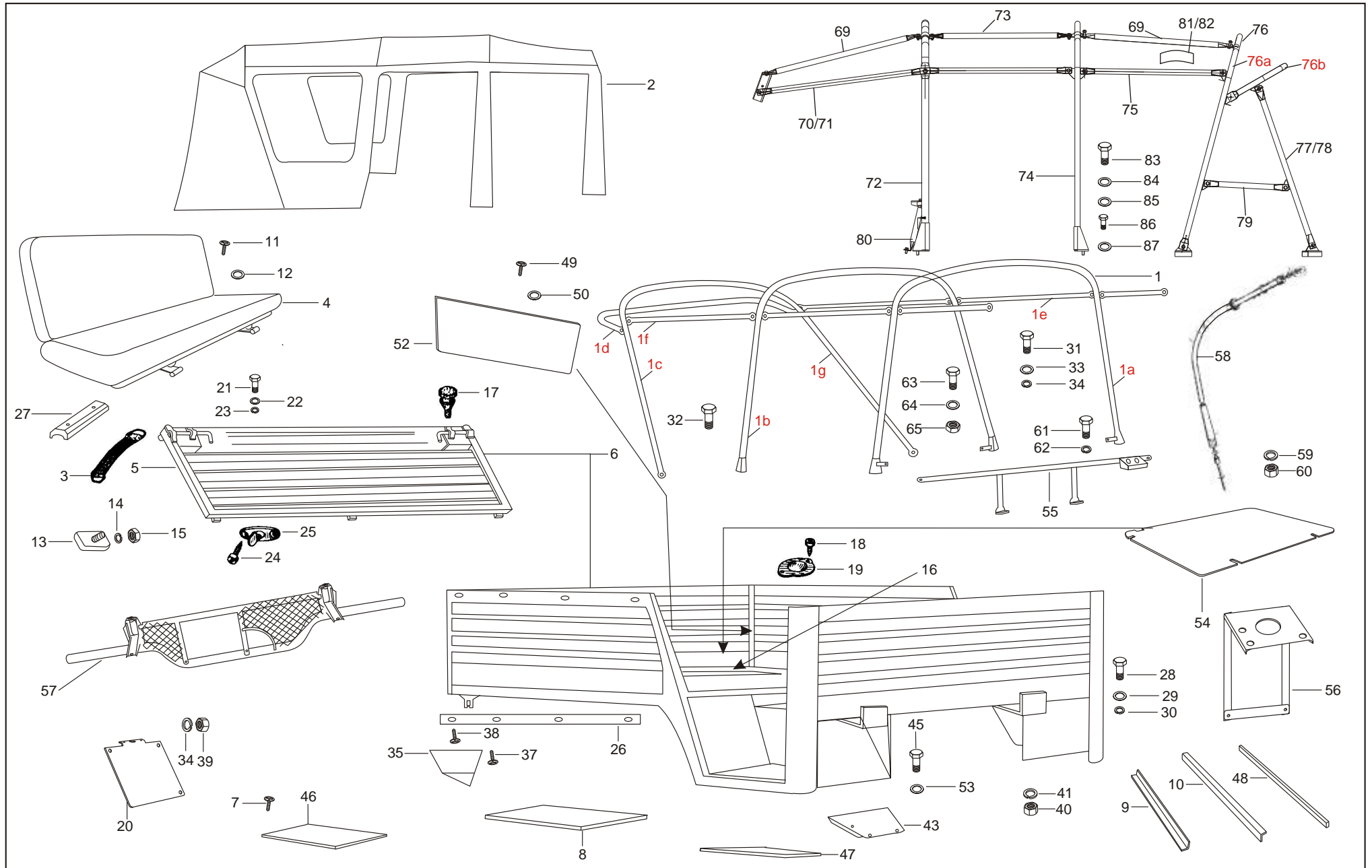


PLATE – XXX

PASSENGER AUTO RICKSHAW BODY

27	(4)	568275 Rubber Stop	F	39	(2)	20106 Hex Nut M6	C	54	(1)	604604 Rear Carpet - Passenger Room	F
28	(4)	31118 Hex Hd Screw M8 x 20	C	40	(8)	800000428 Nut	C	55	(1)	661502 Handrest Tube Assembly	F
29	(4)	3058 Plain Washer	C	40	(8)	20104 Nut	C	56	(1)	568325 Framemeter Support Plate	F
30	(4)	16408 Spring Washer	C	41	(8)	16404 Spring Washer M4	C	57	(1)	643670 Rear Visual Barrier Assy. (VE)	F
31	(14)	31088 Screw M6x16-CC 8.8	C	42	(1)	643502 Lock Set with Keys (Passenger) (N.I.)	F	58	(1)	568107 Framemeter Cable Assembly	F
32	(2)	31090 Screw	C	43	(1)	568686 Closure Front RH Assembly	F	59	(2)	16408 Spring Washer	C
33	(32)	3056 Plain Washer	C	44	(1)	568687 Closure Front LH Assembly (N.I.)	F	60	(4)	20108 Nut / Hex Nut M8	C
34	(18)	16406 Spring Washer	C	45	(8)	15900 Pan Self Tapping Screw	C	61	(2)	30074 Hex ead Screw M8x40 CC 8.8	C
35	(1)	567968 Rear Panel LH Assy	F	49	(8)	15911 Self Threading Screw / Pan Self Tp.Screw	C	62	(2)	16408 Spring Washer	C
35a	(1)	20106 Hex nut M6	C	50	(8)	16670 Washer / Plain Washer 12x4.5x1	C	63	(2)	31116 Screw	C
36	(1)	567966 Rear Panel RH Assy (N.I.)	F	51	(1)	567534 Protection Fabric RH (N.I.)	F	64	(2)	16408 Spring Washer M8x16	F
37	(12)	15911 Pan Self Tapping Screw	C	52	(1)	567535 Protection Fabric LH	F	65	(2)	20108 Nut	F
38	(28)	14628 CSK Self Tapping Screw	C	53	(8)	16670 Plain Washer 12x4.5x1	F	66	(1)	604538 Handle Cover	F

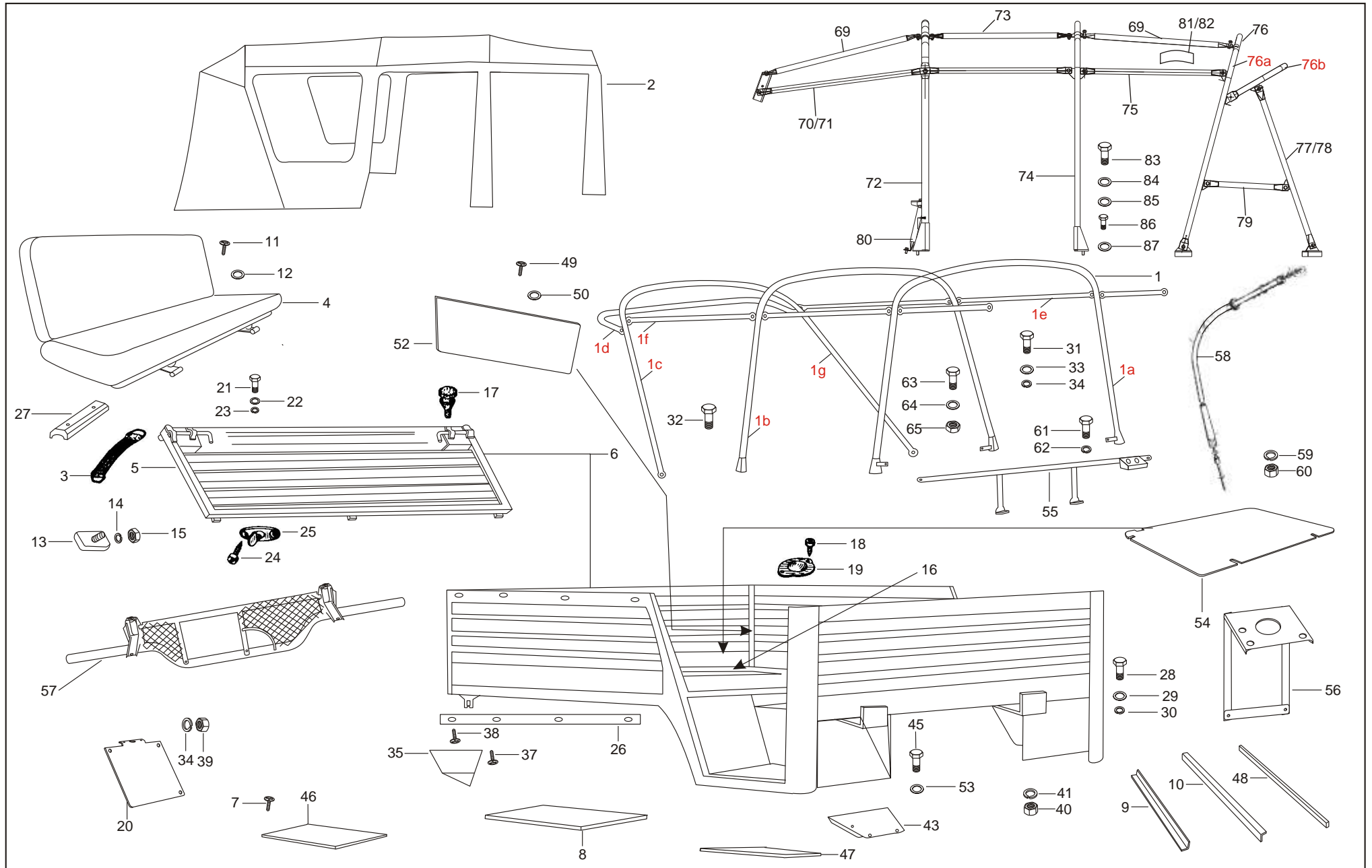


PLATE – XXX

PASSENGER AUTO RICKSHAW BODY

67	(1)	604539 Handle	F	79	(2)	661469 Bottom Support Hood Frame	F
68	(1)	632437 Carpet Pickup Platform	F	80	(1)	661502 Hand Rail Pipe Assly	F
69	(4)	B006763 Central Support pipe hood frame (435)	F	81	(1)	B006767 Soft Top Support Plate LH (435)	F
70	(1)	B006759 Front Pipe For Frame Covering Lh	F	82	(1)	B006768 Soft Top Support Plate RH (435)	F
71	(1)	B006760 Front Pipe For Frame Covering Rh	F	83	(28)	14628 CSK self tp. screw 6SG x 16AB	
72	(1)	661376 Hoop No. 2 (Frame Covering)	F	84	(2)	3058 plain washer 15 x 8.4 x 1.5	
73	(2)	B006761 Middle cross pipe hood frame	F	85	(10)	568135 Washer (Ni plated)	
74	(1)	661377 Hoop No.3 (Frame Covering)	F	86	(49)	8432 Pan self tp. screw 6SG x 9.5AB	
75	(2)	B006769 Rear Pipe For Frame	F	87	(39)	97756 Mitallic plain washer	
76a	(1)	661378 Hood Assly With Plate	F				
76b	(1)	661379 Hood Assly With Plate	F				
77	(1)	B006765 Rear Support Pipe Hood Frame Lh	F				
78	(1)	B006766 Rear Support Pipe Hood Frame Rh	F				

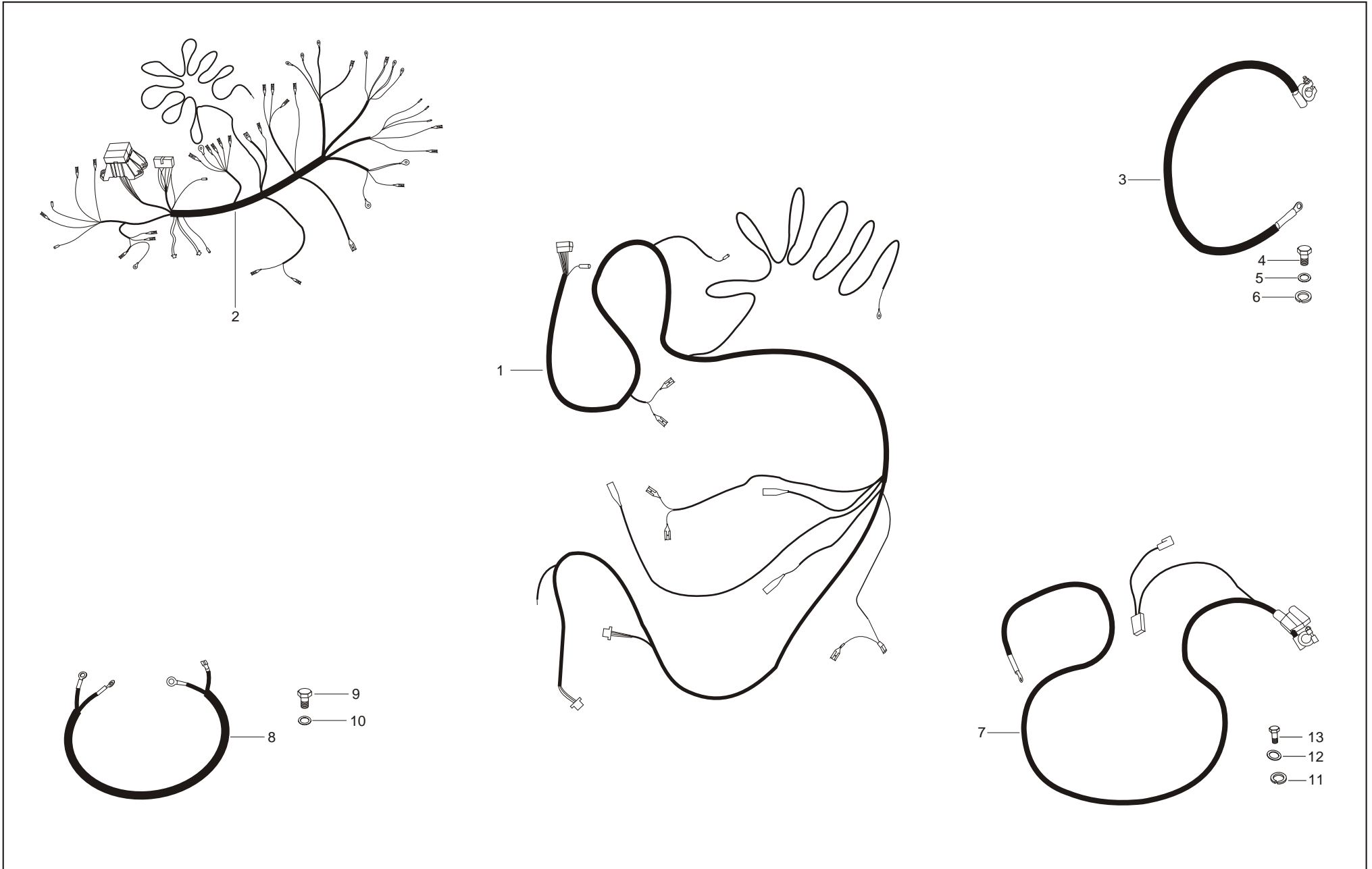


PLATE – XXXI

WIRING HARNESS

1	(1)	661482 Wiring Harness frame (For S.S.SW)	BSII	2	(1)	661289 Wiring harness instrument (ape 501)	LD	12	(1)	3056 Plain washer	C
1	(1)	B003237 Wiring Harness frame (435)	C	3	(1)	604610 Battery Cable Negative	C	13	(1)	31088 Hex hd screw M6 x 1.6 CL 8.8 (811061623)	C
1	(1)	661290 Wiring Harness frame (ape 501)	F,B,	3	(1)	644838 Battery Cable Negative(-) (VE)	F,B,LD	14	(1)	661491 Pig tail Cabin lamp Pick up (N.I.)	LD
1	(1)	660403 Wiring Harness (Frame) - LD	BSII	4	(1)	31088 Hex Screw / Hd M6 x 16 C6 8.8	C	14	(1)	661492 Pig tail cabin lamp Pass upgrade (N.I.)	F,B,
1	(1)	B003236 Wiring Harness frame (435)	LD	5	(1)	3056 Washer / Plain Washer M6	C	15	(1)	B006772 Wiring Harness EGR	F,B,LD
1	(1)	660052 Wiring Harness (Frame) - xtra	BSII	6	(1)	16406 Spring Washer / M6	C				
1	(1)	B003237 Wiring Harness frame (GL435)	F,B	7	(1)	604609 Battery Cable Positive	C				
1	(1)	604814 Wiring Harness Main for New Aircleaner	C	7	(1)	659791 Battery Cable Positive (+) Ape Delux	C				
1	(1)	B009277 Wiring Harness Frame	BSIII	7	(1)	644837 Battery Cable Positive (+) (VE)	F,B				
1	(1)	B006893 Wiring harness frame (DV)	BSIII	8	(1)	567484 Starter Cable Group	C				
2	(1)	660402 Wiring Harness (Inst Panel) - Pass	BSII	9	(1)	31116 Hex Head Screw M8 x 16	C				
2	(1)	B002510 Wiring Harness (Inst Panel)	C	10	(1)	3058 Plain Washer	C				
2	(1)	661483 Wiring Harness Inst. panel (for S.S.Sw)	F,B,LD	11	(1)	16406 Spring washer M6	C				

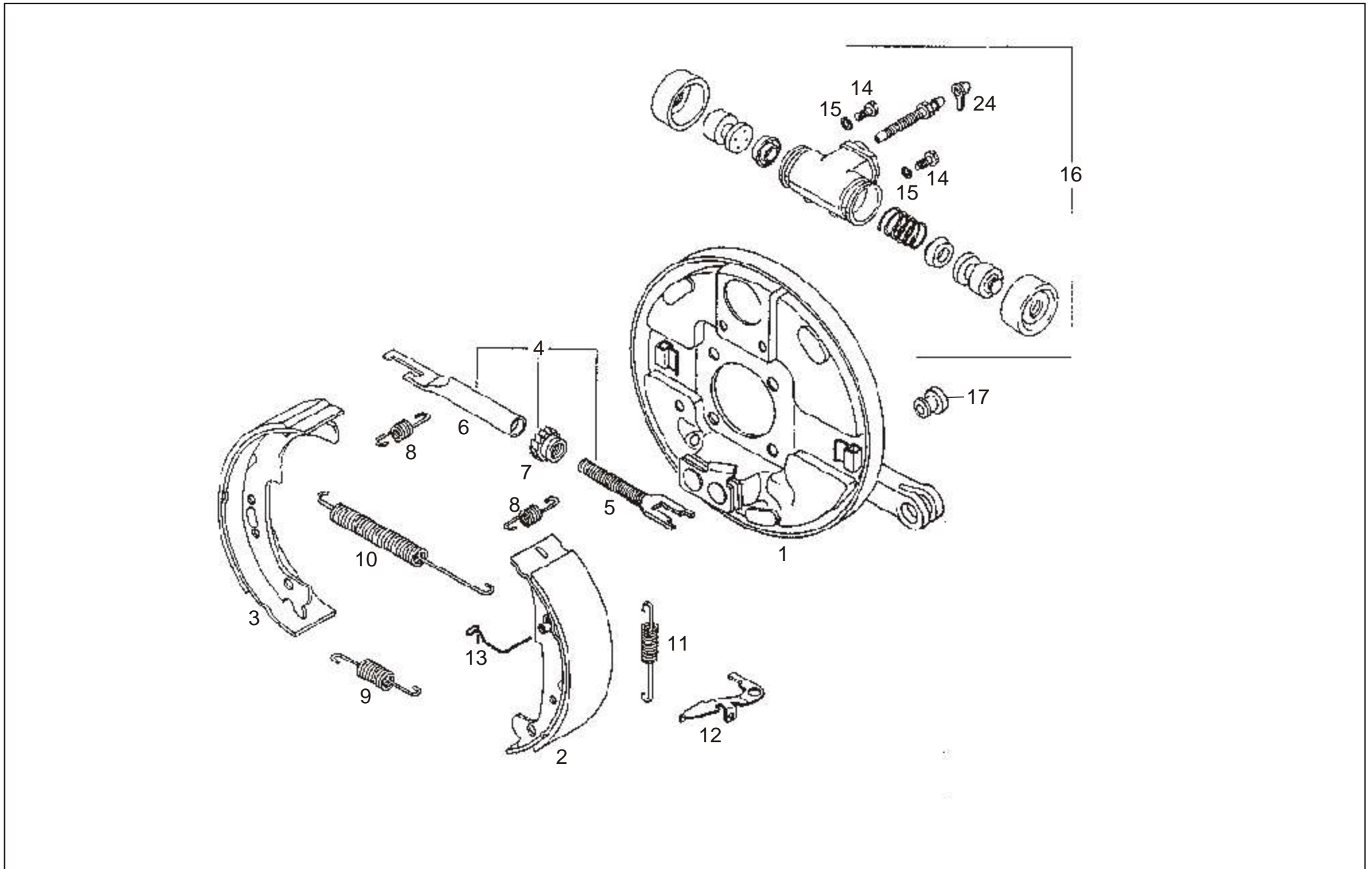


PLATE – XXXII

FRONT BRAKE ASSEMBLY SELF ADJUSTING (DIA 180 X 40 MM)

1	(1)	616541 Bracket Wheel Carrier With IP	F,B,LD	11	(1)	B002171 Lever return spring (wire dia 1.6)	F,B,LD
2	(1)	602126 LH Complete Front shoe with Pin	C	12	(1)	18807 Adjuster lever	C
2	(1)	602126 RH Complete Front shoe with Pin	C	13	(1)	178823 LH jumper (Bridge)	C
3	(1)	602131 Trailing Shoe Complete	C	13	(1)	178824 RH jumper (Bridge)	C
4	(1)	179056 Fork Assy	F,B,LD	14	(2)	63440 Hex Bolt - M6 x 12	C
5	(1)	178804 LH Fork for Wheel	C	15	(2)	12536 Spring washer	C
6	(1)	178805 LH Gear	C	16	(1)	587616 Wheel Cylinder Assy. Front (22.225mm)	C
7	(1)	178806 Sprocket for Wheel / LH Strut	C	17	(1)	925501 Grommet	C
8	(2)	602497 Jaws Stop Springs	C				
9	(1)	116088 Spring Supporting Jaws	C				
10	(1)	245038 Shoe return spring	C				
11	(1)	178808 Lever return spring	F,B,LD				

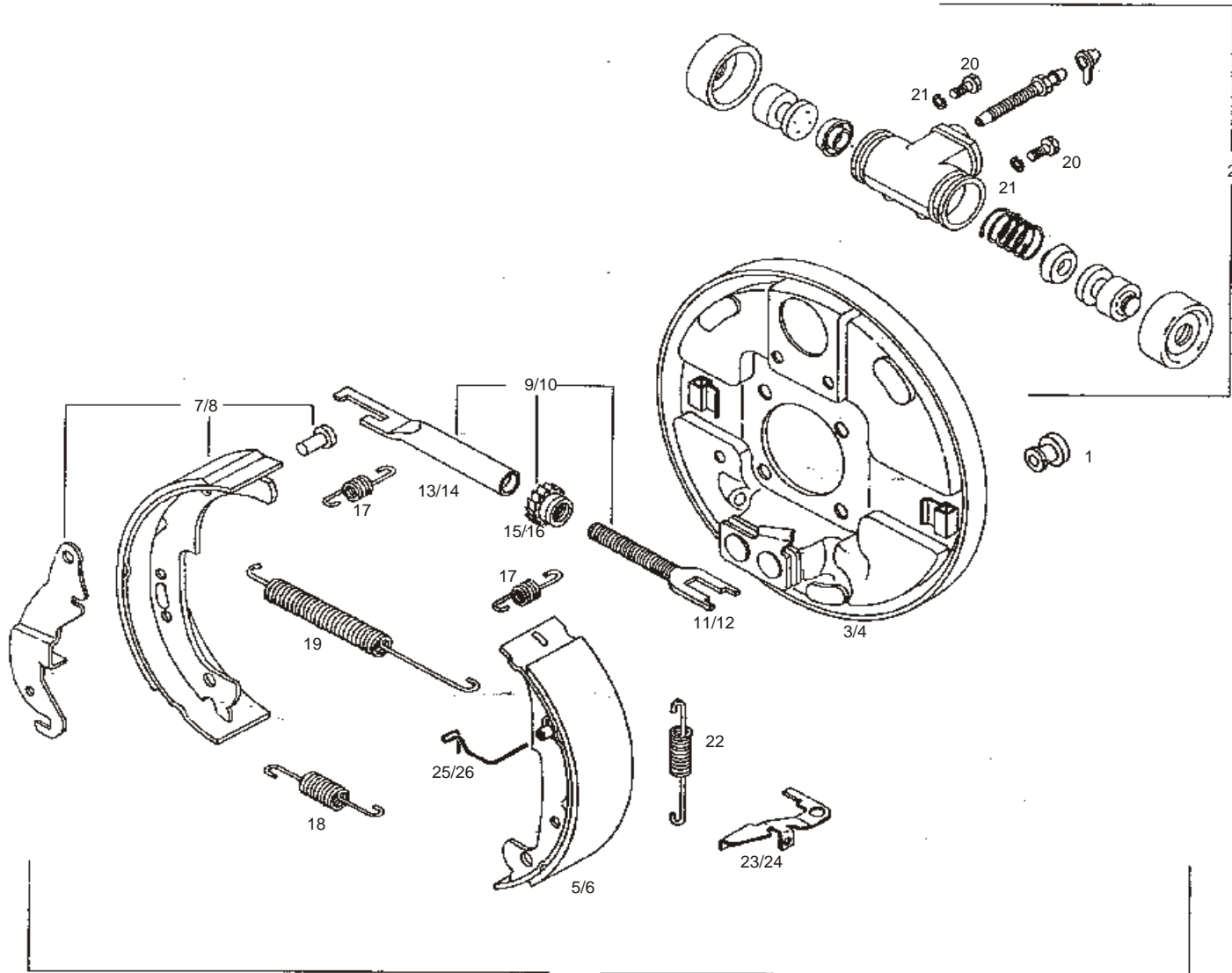


PLATE – XXXIII

REAR BRAKE ASSEMBLY SELF ADJUSTING (DIA 180 X 40 MM)

1	(1)	925501 Grommet	C	10	(1)	179057 Fork assy. RH	F,B,LD	21	(2)	12536 Spring Washer M6	C
2	(1)	587615 For brake Wheel Cylinder Assembly	C	11	(1)	178804 LH Fork	F,B,LD	22	(1)	178808 Lever Return Spring	F,B,LD
2	(1)	632148 Wheel Cylinder Assembly (25.4 mm)	C	12	(1)	178818 Fork RH	F,B,LD	22	(1)	B002171 Lever return spring (wire dia 1.6)	F,B,LD
3	(1)	602120 Left brake jaw holding cable plate (Back Plate)	C	13	(1)	178806 LH Strut	F,B,LD	23	(1)	178807 Adjuster Lever LH	C
4	(1)	602123 Right brake jaw holding cable plate (Back Plate)	C	14	(1)	178820 RH Strut	F,B,LD	24	(1)	178821 Adjuster Lever RH	C
5	(1)	602126 Leading Shoe With Pin LH (LH complete front shoe with pin)	C	15	(1)	178805 LH Gear	F,B,LD	25	(1)	178823 Jumper/Bridge LH	C
6	(1)	602128 Leading Shoe With Pin RH (RH complete front shoe with pin)	C	16	(1)	178819 RH gear	F,B,LD	26	(1)	178824 Jumper/ Bridge RH	C
7	(1)	602050 Brake RR left shoe with lever	C	17	(2)	602497 Shoe Hold Down Spring	C	27	(1)	925573 Major kit RR wheel cylinder (NI)	C
8	(1)	602118 Brake RR right shoe with lever	C	18	(1)	116088 Spring Supporting Jaws	C	27	(1)	925522 Major kit wheel cylinder rear (NI)	C
9	(1)	179056 Fork assy. LH	F,B,LD	19	(1)	245038 Shoe Return Spring	C	28	(1)	925574 Minor kit RR wheel cylinder (NI)	C
				20	(2)	63440 Hex Bolt M6x12	C	28	(1)	925523 Minor Kit Wheel cylinder rear (NI)	C